

CBR250R / CBR250RA

CBR250R_B
CBR250R_C
CBR250R_D
CBR250RA_B
CBR250RA_C
CBR250RA_D

PARTS CATALOGUE

2

FOREWORD INDEX

1

ENGINE GROUP

2

FRAME GROUP

3

PART NUMBER INDEX

4

PART NAME INDEX

5

Instruction for use of parts catalogue

- **This parts catalogue has been created as of July 10, 2012.**
 - Since this date, the sales practice for repair parts may have been changed or the parts may have been eliminated (listed for those not for sale).
 - The modified information is reflected on the latest Electronic Parts Catalogue (EPC). Also, refer to the parts catalogue news for any change.
 - See the parts catalogue news for any revision that is made after July 10, 2012.
- **Always specify the part number when ordering a part.**
 - Check the model, type, serial numbers, color, maker, and the size as needed before ordering a part.
 - Note that the illustrations (part drawings) can differ from the actual parts in shape. They are given just to help you to refer to the parts.
- **When modifications or additions to this parts catalogue are made, a revised edition will be issued at an appropriate time, with successively progressing revision numbers on the cover. We recommend obtaining such revisions in order to keep your parts catalogue up-to-date at all times. To check whether a parts catalogue revision has been issued, please contact your Honda distributor.**

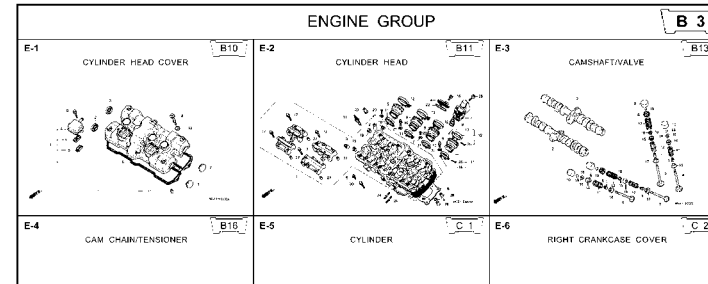
Initial version issue date
November 10, 2010
Honda Motor Co., Ltd.

CONTENTS

	Page	Address No.	
● Instruction for use of parts catalogue	1	B 1	1
● How to refer to the part information	2	B 2	
● Part catalogue structure	3	B 3	
● When the parts were revised	4	B 4	
● Abbreviations used in the parts catalogue	4	B 4	
● Part block and serial number check	5	B 5	
● Color label attachment position check	5	B 5	
● Models, parts catalogue codes and applicable serial numbers	6	B 6	
● Color label	8	B 8	
● Color chart	9	B 9	
● Fuel hose, general purpose hoses and vinyl hose	54	E 6	
● FLAT RATE SERVICE TIME	58	E10	
● Illustrated index	63	E15	
● ENGINE GROUP	72	G 1	2
● FRAME GROUP	98	I 1	3
● PART NO. INDEX	174	N 1	4
● PART NAME INDEX	180	2-B 1	5

How to refer to the part information

A Reference with "Illustrated index"

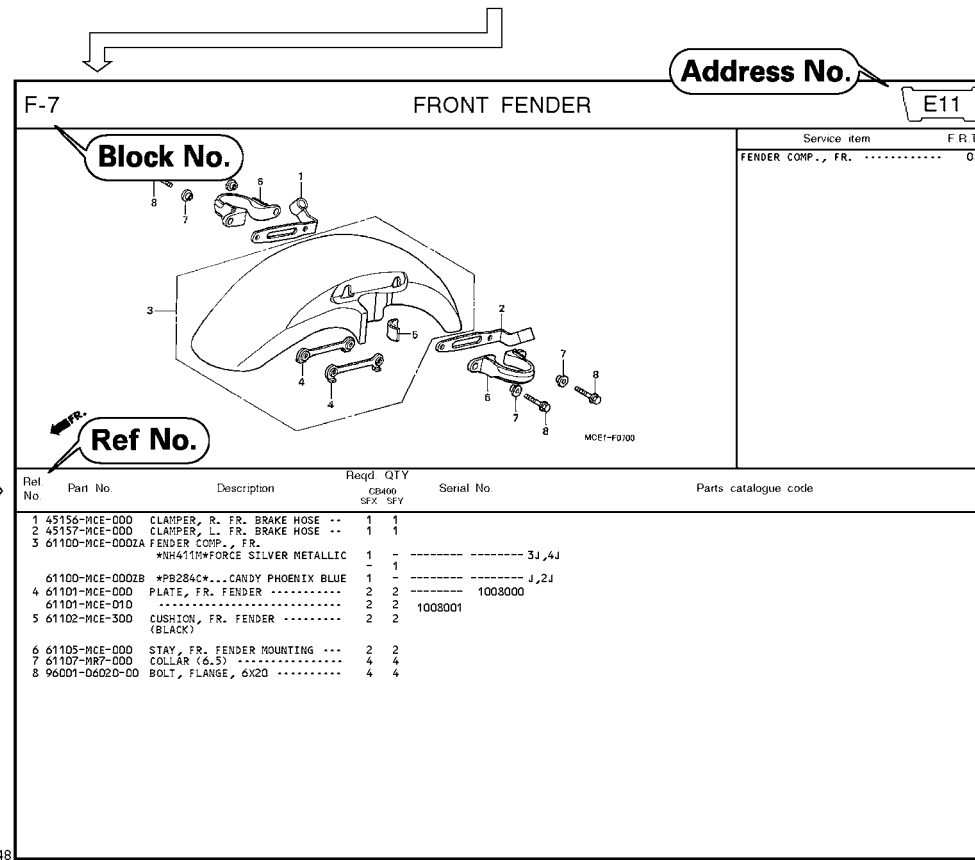


B Reference with "Part number index"

PART NO. INDEX								
Part Number	Address	Page	Rel.	Part Number	Address	Page	Rel.	F
04000				13323-MY9-751	C12	28	10	14921
04911-MCE-000	C10	26	1	13324-MY9-751	C12	28	10	14931
				13325-MY9-751	C12	28	10	14931
				13327-MY9-751	C12	28	10	14931
06000				14000				14931
06405-MY9-P00	F13	67	3	14100-MCE-000	B13	13	2	14931
06405-MY9-P10	F13	67	3	14200-MCE-000	B13	13	3	14931
06410-MY9-860	F2	56	1	14321-MCE-000	B16	16	2	14931
06435-MCE-006	F1	55	1	14401-MCE-003	B16	16	3	14931
06451-769-405	E13	51	2	14510-MBE-000	B16	16	4	14941
06451-443-405	F1	55	2	14520-MY9-691	B16	16	5	14941
06451-MA7-405	E13	51	1	14524-MY9-690	B16	16	6	14941
06455-MCE-006	E13	51	3	14546-MCE-000	B16	16	7	14941
				14620-MY9-691	B16	16	8	14941
11000				14711-MCE-000	B13	13	4	14941
11210-MCE-000	C9	25	1	14712-MCE-000	B13	13	5	14941
11330-MCE-305	C2	18	1	14721-MCE-000	B13	13	6	14941
11333-KT8-000	C6	22	1	14722-MCE-000	B13	13	7	14941
11335-MCE-000	C2	18	2	14730-MCE-000	B13	13	8	14941
11360-MCE-000	C7	23	1	14731-MCE-000	B13	13	9	14941
11365-MCE-000	C7	23	2	14731-MY9-751	B13	13	10	14941
11396-MY9-000	C2	18	3	14751-KY2-000	B13	13	11	14941
11631-MCE-000	C5	21	1	14751-MCE-000	B13	13	12	14941
11691-MY9-000	C5	21	2	14761-MCE-000	B13	13	13	14941

C Reference with "Part name index"

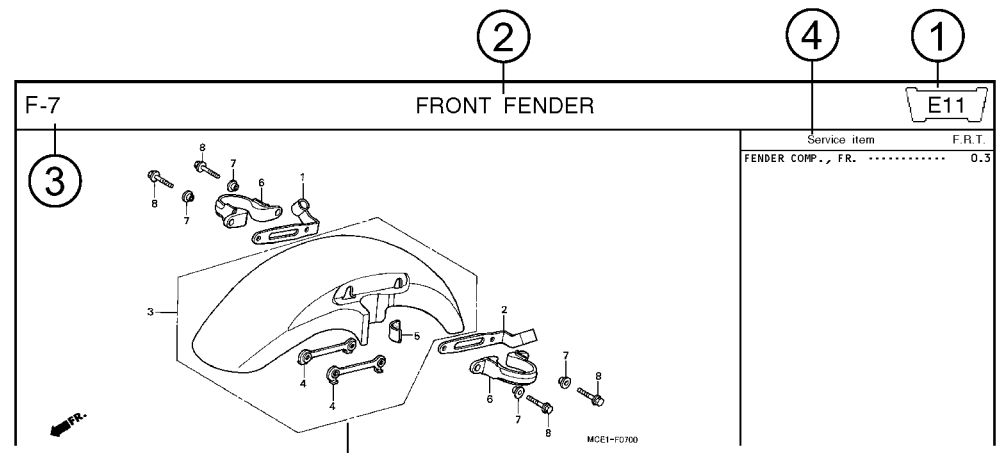
PART NAME INDEX							
Part name	Address	Page	Ref.	Part name	Address	Page	Ref.
[A]				BOLT , CHANG I			
ADJUSTER , CHAIN	F13	67	5	BOLT , CLUTC H			
ARM COMP. , SEA R CHANGE	F10	64	1	BOLT , CONNECT			
ARM , L. MAIN STEP	F11	65	8	BOLT , DISK , 6			
ARM , L. PILLI O STEP	F11	65	12	BOLT , DISK , 8			
ARM , R. MAIN STEP	F11	65	5	BOLT , DRAIN I			
ARM , R. PILLI O STEP	F11	65	11	BOLT , FLANG E			
AUT O DOC K ASSY. , FUEL	F4	58	2	BOLT , FLANG E			
AXLE , FR. WHEEL	E14	52	3	BOLT , FLANG E			
AXLE , RR. WHEEL	F2	56	5	BOLT , FLANG E			
[B]				BOLT , FLANG E			
BAG , AIR PRESSUR E GAUGE	F67	77	4	BOLT , FLANG E			
BAG , SERVICE BOOK	F67	77	1	BOLT , FLANG E			
BAG , TOOL	F67	77	3	BOLT , FLANG E			
BALL , STEEL	F11	65	20	BOLT , FLANG E			
BAND A , INSULATOR	B11	11	11	BOLT , FLANG E			
BAND B , INSULATOR	B11	11	12	BOLT , FLANG E			
BAND , AIR CLEANER CONNECTING				BOLT , FLANG E			
BAND , U-LOCK	F8	62	22	BOLT , FLANG E			
BAND , WIRE	F16	70	5	BOLT , FLANG E			
	C10	26	14				
	E5	43	21				
	G4	74	1R				



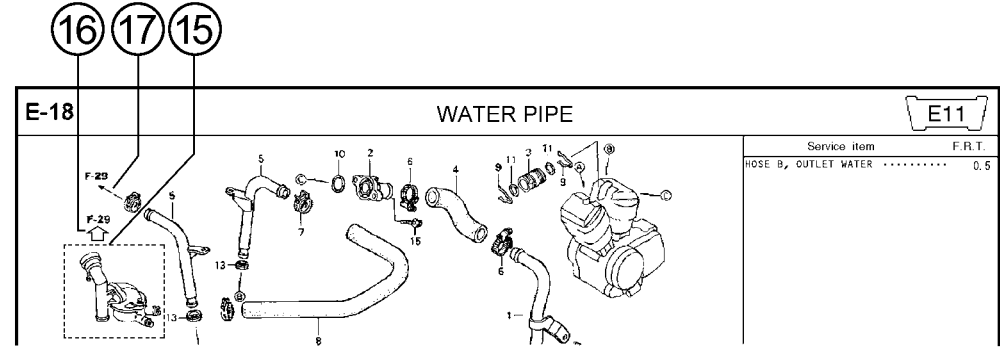
Page No.

2000.09.01 E

Part catalogue structure

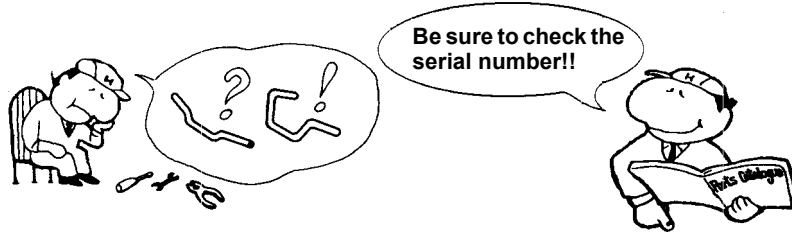


Ref. No.	Part No.	Description	Reqd. QTY		Serial No.	Parts catalogue code
			CB400 SFX	SFY		
1	45156-MCE-000	CLAMPER, R. FR. BRAKE HOSE ..	1	1		
2	45157-MCE-000	CLAMPER, L. FR. BRAKE HOSE ..	1	1		
3	61100-MCE-000ZA	FENDER COMP., FR. *NH411M*FORCE SILVER METALLIC	1	-	----- 3J,4J	
	61100-MCE-000ZB	*PB284C*...CANDY PHOENIX BLUE	1	-	----- J,2J	
4	61101-MCE-000	PLATE, FR. FENDER	2	2	1008000	
	61101-MCE-010	2	2	1008001	
5	61102-MCE-300	CUSHION, FR. FENDER	2	2		
		(BLACK)				



- ① **Address number**
 - Address No. is provided (in place of the page No.) to help you refer to the part with the part No. or part name.
- ② **Block title** ③ **Block number**
- ④ **Service item/Flat rate time**
- ⑤ **Reference number**
 - Title number marked with the parenthesis or parentheses indicates that it continues from the previous page.
- ⑥ **Part number** ⑦ **Honda color code**
- ⑧ **Description**
- ⑨ **Assemblies**
 - Sections framed with broken lines in the exploded view drawings are available as complete assemblies. (Their individual parts can also be obtained.)
- ⑩ **Color description**
- ⑪ **Note**
 - Notes are shown with the parentheses in the part name column.
- ⑫ **Required quantity**
 - Reqd. QTY shown in the parenthesis or parentheses indicates the optional part.
 - Reqd. QTY marked with "N" indicates the optional part that should be selected as needed.
 - Reqd. QTY indicates the number of the part used in the block.
- ⑬ **Serial number**
- ⑭ **Parts catalogue code**
 - When the parts catalogue code column is blank, it indicates that the part is applicable to all codes.
- ⑮ **[Dotted line]**
 - Parts enclosed within a dotted line [] are covered in a different block.
- ⑯ **[Hollow arrow]**
 - A hollow arrow [] indicates the block No. for the parts enclosed within a dotted line [] .
- ⑰ **[Solid arrow]**
 - A solid arrow [] indicates the block No. the part in question is connected to.

When the parts were revised



Ref. No.	Part No.	Description	Reqd. QTY		Serial No.
			CB400 SFX	SFY	
1	45156-MCE-000	CLAMPER, R. FR. BRAKE HOSE ..	1	1	
2	45157-MCE-000	CLAMPER, L. FR. BRAKE HOSE ..	1	1	
3	61100-MCE-000ZA	FENDER COMP., FR. *NH411M*FORCE SILVER METALLIC	1	-	-----3J,4J
	61100-MCE-000ZB	*PB284C*...CANDY PHOENIX BLUE	1	-	-----J,2J
4	61101-MCE-000	PLATE, FR. FENDER (###).....	2	2	-----1008000
	61101-MCE-010	2	2	-----1008001
5	61102-MCE-300	CUSHION, FR. FENDER (BLACK)	2	2	
6	61105-MCE-000	STAY, FR. FENDER MOUNTING ...	2	2	
7	61107-MR7-000	COLLAR (6.5)	4	4	
8	96001-06020-00	BOLT, FLANGE, 6X20	4	4	

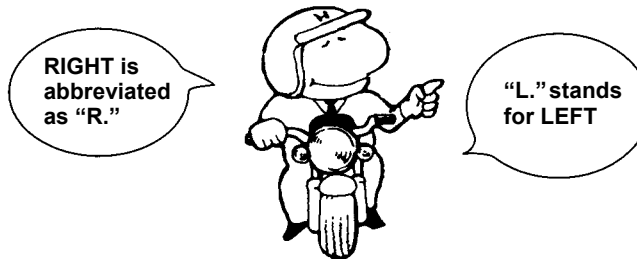
The number has been used from the initial model without revision.

When shown at the left side, it is applicable to the models of No.1008001 and the subsequent numbers.

When shown at the right side, it is applicable to the models up to No.1008000.

The parts listed with "###" at the end of the parts name have limited supply period (parts not for sale).

Abbreviations used in the parts catalogue

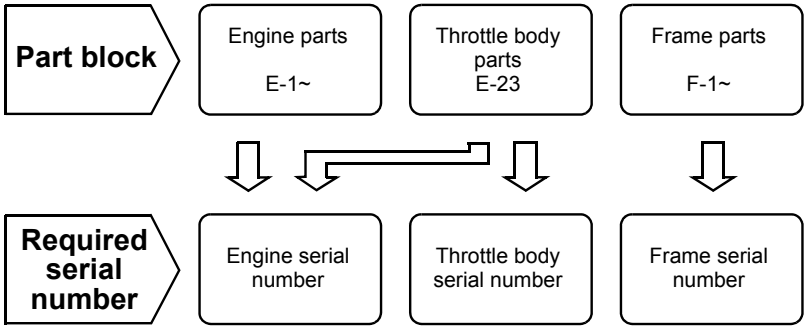


* "L." or "R." in the description of a part stands for the LEFT hand side or the RIGHT hand side. Determine the left or right as if you were in the motorcycle seat.

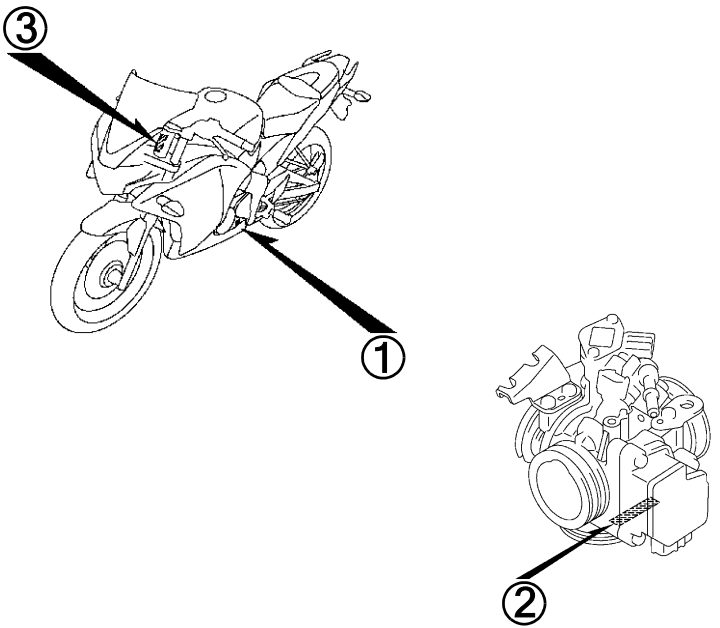
The following abbreviations are used in this parts catalogue.

- | | |
|---|----------------------------------|
| A Ampere | LLeft |
| ABS Anti-lock brake system | L (100L) .Link (100 Links) |
| A.C. Alternating current | L.E.D.Light emitted diode |
| A.M. Attaching mark | MMMillimeter |
| ASSY. Assembly | MPHMiles per hour |
| C.D.I. Capacitive discharge ignition | R.Right |
| COMP. ... Complete | RR.Rear |
| D.C. Direct current | STD.Standard |
| EX. Exhaust | T (22T) ...Tooth (22 Teeth) |
| FR. Front | TCSTraction control system |
| G Gram | T.M.Transcript mark |
| HEX. Hexagonal | VVolt |
| IN. Inlet | WWatt |
| KPH Kilometers per hour | WLWith labelling |
| | WOLWithout labelling |

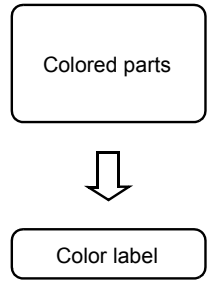
Part block and serial number check



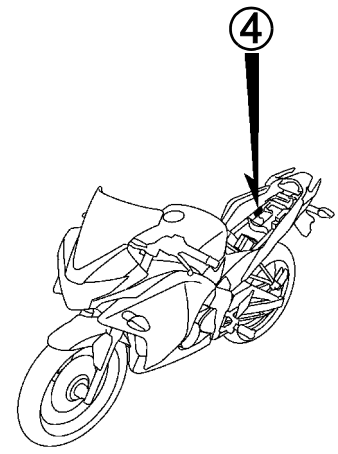
Check point ① ② ③



Color label attachment position check



④



Models, parts catalogue codes and applicable serial numbers

Models, parts catalogue codes and applicable serial Nos. given in this parts catalogue can be identified as follows.

Parts with parts catalogue codes are exclusive for models destined for countries designated.

If no area codes are listed, parts are for common use.

Model	Parts catalogue code	Type	Applicable engine serial No.	Applicable frame serial No.	Applicable throttle body serial No.
CBR250Rb	2U	Australia	MC41E-2000001~2099999	MLHMC41U_B5000001~B5099999	GQ9JA A
	3U		MC41E-2000001~2099999	MLHMC41U_B5000001~B5099999	
	IN	Indonesia	MC41E-2000001~2099999	MLHMC419_B5000001~B5099999	
	KO	Korea	MC41E-2000001~2099999	MLHMC41K_B5000001~B5099999	
	MA	Malaysia	MC41E-2000001~2099999	MLHMC419_B5000001~B5099999	
	U	Australia	MC41E-2000001~2099999	MLHMC41U_B5000001~B5099999	
CBR250Rc	KO	Korea	MC41E-2200001~2299999	MLHMC41K_C5100001~C5199999	GQ9JA A
CBR250Rd	3IN	Indonesia	MC41E-2300001~	MLHMC419_C5200001~	GQ9JA A
	3KO	Korea	MC41E-2300001~	MLHMC41K_D5200001~	
	3MA	Malaysia	MC41E-2300001~	MLHMC419_D5200001~	
	3U	Australia	MC41E-2300001~	MLHMC41U_D5100001~	
	4IN	Indonesia	MC41E-2300001~	MLHMC419_C5200001~	
	4MA	Malaysia	MC41E-2300001~	MLHMC419_D5200001~	
	4U	Australia	MC41E-2300001~	MLHMC41U_D5100001~	
	5MA	Malaysia	MC41E-2300001~	MLHMC419_D5200001~	
	5U	Australia	MC41E-2300001~	MLHMC41U_D5100001~	
	6U		MC41E-2300001~	MLHMC41U_D5100001~	
	IN	Indonesia	MC41E-2300001~	MLHMC419_C5200001~	
	KO	Korea	MC41E-2300001~	MLHMC41K_D5200001~	
	MA	Malaysia	MC41E-2300001~	MLHMC419_D5200001~	
	U	Australia	MC41E-2300001~	MLHMC41U_D5100001~	

Model	Parts catalogue code	Type	Applicable engine serial No.	Applicable frame serial No.	Applicable throttle body serial No.
CBR250RAB	2U	Australia	MC41E-2000001~2099999	MLHMC41U_B5000001~B5099999	GQ9JA A
	IN	Indonesia	MC41E-2000001~2099999	MLHMC419_B5000001~B5099999	
	KO	Korea	MC41E-2000001~2099999	MLHMC41K_B5000001~B5099999	
	MA	Malaysia	MC41E-2000001~2099999	MLHMC419_B5000001~B5099999	
	U	Australia	MC41E-2000001~2099999	MLHMC41U_B5000001~B5099999	
CBR250RAC	KO	Korea	MC41E-2200001~2299999	MLHMC41K_C5100001~C5199999	GQ9JA A
CBR250RAD	3IN	Indonesia	MC41E-2300001~	MLHMC419_C5200001~	GQ9JA A
	3MA	Malaysia	MC41E-2300001~	MLHMC419_D5200001~	
	3U	Australia	MC41E-2300001~	MLHMC41U_D5100001~	
	4IN	Indonesia	MC41E-2300001~	MLHMC419_C5200001~	
	4KO	Korea	MC41E-2300001~	MLHMC41K_D5200001~	
	4MA	Malaysia	MC41E-2300001~	MLHMC419_D5200001~	
	4U	Australia	MC41E-2300001~	MLHMC41U_D5100001~	
	5MA	Malaysia	MC41E-2300001~	MLHMC419_D5200001~	
	5U	Australia	MC41E-2300001~	MLHMC41U_D5100001~	
	6U		MC41E-2300001~	MLHMC41U_D5100001~	
	IN	Indonesia	MC41E-2300001~	MLHMC419_C5200001~	
	MA	Malaysia	MC41E-2300001~	MLHMC419_D5200001~	
	U	Australia	MC41E-2300001~	MLHMC41U_D5100001~	

* Of carburetor/throttle body identification numbers, only the portions underlined in the example below are used for registration.

GQ9JA A KC ア

Color label

1

- When ordering parts, check the model name, main color, and code by observing the “COLOR LABEL” on the vehicle.
- When ordering a colored part, use the color chart in the instruction for use of parts catalogue.

VFR800FIW COLOR R-157 CODE R157	MODEL		VFR800FIW					
	No.	COLOR	Sparkling silver metallic	Mute black metallic	Applicable model		Applicable block No.	Re
		CODE	NH-295M	NH-359M	Initial applicable model	Final applicable model		
	Name of colored parts	Basic part No.	NH295	NH359				
1								
2								
3								
4								
5								
6								
7								
8								
9								
10								

Color chart

- When ordering a colored part, refer to the chart below and use a part number consisting of the relevant basic part number to which has been added a part color code.

CBR250R (CBR250RB).....2U

No.	MODEL		CBR250RB				Ref. No.
	COLOR		Asteroid black metallic NH-A35M	Applicable model		Applicable block No.	
	CODE			Initial applicable model	Final applicable model		
	Name of colored parts	Basic part No.	NHA35				
1	COVER, FUEL TANK	64450-KPP-T00	ZA			F-21	18
2	COVER, L. RR.	83680-KPP-T00	ZA			F-24	11
3	COVER, R. RR.	83670-KPP-T00	ZA			F-24	10
4	COWL SET, FR. UPPER	64200-KYJ-900	ZD			F-43	3
5	COWL SET, L. MIDDLE	64400-KYJ-900	ZA			F-45	9
6	COWL SET, R. MIDDLE	64300-KYJ-900	ZA			F-45	1
7	COWL SET, RR. CENTER UPPER	83450-KPP-T00	ZA			F-24	2
8	COWL, L. FR. SIDE	64220-KPP-T00	ZA			F-43	6
9	COWL, R. FR. SIDE	64210-KPP-T00	ZA			F-43	4
10	FENDER, FR.	61100-KPP-T00	ZA			F-10	5
11	FLANGE SUB ASSY., RR. DRIVEN	42615-KYJ-900	ZA			F-19-40	7
12	GRIP, L. RR.	50325-KPP-T00	ZA			F-23	3
13	GRIP, R. RR.	50315-KPP-T00	ZA			F-23	2
14	MARK	86641-KYJ-900	ZA			F-50	4
15	MARK, HONDA	86645-KYJ-900	ZA			F-50	5
16	MARK, HONDA	86831-KPP-T00	ZA			F-50	6
17	MARK, L. WING	86172-KPP-T00	ZJ			F-50	2
18	MARK, R. WING	86171-KPP-T00	ZJ			F-50	1
19	PANEL, L. MIDDLE	64380-KYJ-900	ZC			F-45	8
20	PANEL, R. MIDDLE	64370-KYJ-900	ZC			F-45	7
21	TANK SET, FUEL	17520-KYJ-900	ZC			F-21	8
22	WHEEL SUB ASSY., FR.	44650-KYJ-900	ZA			F-14-40	7
23	WHEEL SUB ASSY., RR.	42650-KYJ-900	ZA			F-19-40	10

CBR250R (CBR250RB).....3U

No.	MODEL		CBR250RB				Ref. No.
	COLOR		Pearl spencer blue PB-308P	Applicable model		Applicable block No.	
	CODE			Initial applicable model	Final applicable model		
	Name of colored parts	Basic part No.	PB308				
1	COVER SET, L. RR.	83630-KYJ-960	ZA			F-24	21
2	COVER SET, R. RR.	83620-KYJ-960	ZA			F-24	20
3	COVER, FUEL TANK	64450-KPP-T00	ZE			F-21	18
4	COWL SET, FR. UPPER	64200-KYJ-900	ZG			F-43	3
5	COWL SET, L. MIDDLE	64400-KYJ-960	ZA			F-45	9
6	COWL SET, R. MIDDLE	64300-KYJ-960	ZA			F-45	1
7	COWL SET, RR. CENTER UPPER	83450-KPP-T00	ZA			F-24	2
8	COWL, L. FR. SIDE	64220-KPP-T00	ZD			F-43	6
9	COWL, R. FR. SIDE	64210-KPP-T00	ZD			F-43	4
10	FENDER, FR.	61100-KPP-T00	ZG			F-10	5
11	FLANGE SUB ASSY., RR. DRIVEN	42615-KYJ-900	ZA			F-19-40	7
12	GRIP, L. RR.	50325-KPP-T00	ZA			F-23	3
13	GRIP, R. RR.	50315-KPP-T00	ZA			F-23	2
14	MARK	86832-KYJ-960	ZA			F-50-1	9
15	MARK, HONDA	86645-KYJ-900	ZD			F-50-1	7
16	MARK, HONDA	86831-KPP-T00	ZA			F-50-1	8
17	MARK, L. WING	86172-KPP-T00	ZB			F-50-1	2
18	MARK, R. WING	86171-KPP-T00	ZB			F-50-1	1
19	PANEL, L. MIDDLE	64380-KYJ-900	ZA			F-45	8
20	PANEL, R. MIDDLE	64370-KYJ-900	ZA			F-45	7
21	STRIPE, L. FUEL TANK	86174-KYJ-960	ZA			F-50-1	4
22	STRIPE, L. MIDDLE COWL	86644-KYJ-960	ZA			F-50-1	6
23	STRIPE, R. FUEL TANK	86173-KYJ-960	ZA			F-50-1	3
24	STRIPE, R. MIDDLE COWL	86643-KYJ-960	ZA			F-50-1	5
25	TANK SET, FUEL	17520-KYJ-960	ZB			F-21	8
26	WHEEL SUB ASSY., FR.	44650-KYJ-900	ZA			F-14-40	7
27	WHEEL SUB ASSY., RR.	42650-KYJ-900	ZA			F-19-40	10

CBR250R (CBR250RB).....IN

No.	MODEL		CBR250RB						Applicable block No.	Ref. No.
	COLOR		Asteroid black metallic NH-A35M	Sword silver metallic NH-A95M	Candy ruby red R-4C	Applicable model				
	Name of colored parts	Basic part No.				Initial applicable model	Final applicable model			
1	COVER, FUEL TANK	64450-KPP-T00	ZA	ZH	ZG			F-21	18	
2	COVER, L. RR.	83680-KPP-T00	ZD	ZD	ZD			F-24	11	
3	COVER, R. RR.	83670-KPP-T00	ZD	ZD	ZD			F-24	10	
4	COWL SET, FR. UPPER	64200-KYJ-900	ZD	ZF	ZE			F-43-1	4	
5	COWL SET, L. MIDDLE	64400-KYJ-900	ZA	ZC	ZB			F-45	9	
6	COWL SET, R. MIDDLE	64300-KYJ-900	ZA	ZC	ZB			F-45	1	
7	COWL SET, RR. CENTER UPPER	83450-KPP-T00	ZA	ZA	ZA			F-24	2	
8	COWL, L. FR. SIDE	64220-KPP-T00	ZH	ZH	ZH			F-43-1	7	
9	COWL, R. FR. SIDE	64210-KPP-T00	ZH	ZH	ZH			F-43-1	5	
10	FENDER, FR.	61100-KPP-T00	ZA	ZH	ZE			F-10	5	
11	FLANGE SUB ASSY., RR. DRIVEN	42615-KYJ-900	ZA	ZA	ZA			F-19-40	7	
12	GRIP, L. RR.	50325-KPP-T00	ZA	ZA	ZA			F-23	3	
13	GRIP, R. RR.	50315-KPP-T00	ZA	ZA	ZA			F-23	2	
14	LID ASSY., L. TANK	64600-KYJ-900	ZD	ZC	ZA			F-43-1	29	
15	LID ASSY., R. TANK	64500-KYJ-900	ZD	ZC	ZA			F-43-1	28	
16	MARK	86641-KYJ-900	ZA	ZC	ZB			F-50	4	
17	MARK, HONDA	86645-KYJ-900	ZA	ZC	ZB			F-50	5	
18	MARK, HONDA	86831-KPP-T00	ZA	ZA	ZA			F-50	6	
19	MARK, L. WING	86172-KPP-T00	ZJ	ZF	ZC			F-50	2	
20	MARK, R. WING	86171-KPP-T00	ZJ	ZF	ZC			F-50	1	
21	PANEL, L. MIDDLE	64380-KYJ-900	ZD	ZD	ZD			F-45	8	
22	PANEL, R. MIDDLE	64370-KYJ-900	ZD	ZD	ZD			F-45	7	
23	TANK SET, FUEL	17520-KYJ-900	ZC	ZG	ZD			F-21	8	
24	WHEEL SUB ASSY., FR.	44650-KYJ-900	ZA	ZA	ZA			F-14-40	7	
25	WHEEL SUB ASSY., RR.	42650-KYJ-900	ZA	ZA	ZA			F-19-40	10	



CBR250R (CBR250RB).....KO,U

No.	MODEL		CBR250RB						Applicable block No.	Ref. No.
	COLOR		Asteroid black metallic	Sword silver metallic	Candy ruby red	Applicable model				
	CODE		NH-A35M	NH-A95M	R-4C	Initial applicable model	Final applicable model			
	Name of colored parts	Basic part No.	NHA35E	NHA95	R4					
1	COVER, FUEL TANK	64450-KPP-T00	ZA	ZH	ZG			F-21	18	
2	COVER, L. RR.	83680-KPP-T00	ZD	ZD	ZD			F-24	11	
3	COVER, R. RR.	83670-KPP-T00	ZD	ZD	ZD			F-24	10	
4	COWL SET, FR. UPPER	64200-KYJ-900	ZD	ZA	ZE			F-43	3	
5	COWL SET, L. MIDDLE	64400-KYJ-900	ZA	ZC	ZB			F-45	9	
6	COWL SET, R. MIDDLE	64300-KYJ-900	ZA	ZC	ZB			F-45	1	
7	COWL SET, RR. CENTER UPPER	83450-KPP-T00	ZA	ZA	ZA			F-24	2	
8	COWL, L. FR. SIDE	64220-KPP-T00	ZH	ZH	ZH			F-43	6	
9	COWL, R. FR. SIDE	64210-KPP-T00	ZH	ZH	ZH			F-43	4	
10	FENDER, FR.	61100-KPP-T00	ZA	ZH	ZE			F-10	5	
11	FLANGE SUB ASSY., RR. DRIVEN	42615-KYJ-900	ZA	ZA	ZA			F-19-40	7	
12	GRIP, L. RR.	50325-KPP-T00	ZA	ZA	ZA			F-23	3	
13	GRIP, R. RR.	50315-KPP-T00	ZA	ZA	ZA			F-23	2	
14	LID ASSY., L. TANK	64600-KYJ-900	ZD	ZC	ZA			F-43	28	
15	LID ASSY., R. TANK	64500-KYJ-900	ZD	ZC	ZA			F-43	30	
16	MARK	86641-KYJ-900	ZA	ZC	ZB			F-50	4	
17	MARK, HONDA	86645-KYJ-900	ZA	ZC	ZB			F-50	5	
18	MARK, HONDA	86831-KPP-T00	ZA	ZA	ZA			F-50	6	
19	MARK, L. WING	86172-KPP-T00	ZJ	ZH	ZC			F-50	2	
20	MARK, R. WING	86171-KPP-T00	ZJ	ZH	ZC			F-50	1	
21	PANEL, L. MIDDLE	64380-KYJ-900	ZD	ZD	ZD			F-45	8	
22	PANEL, R. MIDDLE	64370-KYJ-900	ZD	ZD	ZD			F-45	7	
23	TANK SET, FUEL	17520-KYJ-900	ZC	ZE	ZD			F-21	8	
24	WHEEL SUB ASSY., FR.	44650-KYJ-900	ZA	ZA	ZA			F-14-40	7	
25	WHEEL SUB ASSY., RR.	42650-KYJ-900	ZA	ZA	ZA			F-19-40	10	

CBR250R (CBR250RB).....MA

No.	MODEL		CBR250RB						Applicable block No.	Ref. No.
	COLOR		Asteroid black metallic NH-A35M	Sword silver metallic NH-A95M	Candy ruby red R-4C	Applicable model				
	Name of colored parts	Basic part No.				Initial applicable model	Final applicable model			
1	COVER, FUEL TANK	64450-KPP-T00	ZA	ZH	ZG			F-21	18	
2	COVER, L. RR.	83680-KPP-T00	ZD	ZD	ZD			F-24	11	
3	COVER, R. RR.	83670-KPP-T00	ZD	ZD	ZD			F-24	10	
4	COWL SET, FR. UPPER	64200-KYJ-900	ZD	ZF	ZE			F-43	3	
5	COWL SET, L. MIDDLE	64400-KYJ-900	ZA	ZC	ZB			F-45	9	
6	COWL SET, R. MIDDLE	64300-KYJ-900	ZA	ZC	ZB			F-45	1	
7	COWL SET, RR. CENTER UPPER	83450-KPP-T00	ZA	ZA	ZA			F-24	2	
8	COWL, L. FR. SIDE	64220-KPP-T00	ZH	ZH	ZH			F-43	6	
9	COWL, R. FR. SIDE	64210-KPP-T00	ZH	ZH	ZH			F-43	4	
10	FENDER, FR.	61100-KPP-T00	ZA	ZH	ZE			F-10	5	
11	FLANGE SUB ASSY., RR. DRIVEN	42615-KYJ-900	ZA	ZA	ZA			F-19-40	7	
12	GRIP, L. RR.	50325-KPP-T00	ZA	ZA	ZA			F-23	3	
13	GRIP, R. RR.	50315-KPP-T00	ZA	ZA	ZA			F-23	2	
14	LID ASSY., L. TANK	64600-KYJ-900	ZD	ZC	ZA			F-43	28	
15	LID ASSY., R. TANK	64500-KYJ-900	ZD	ZC	ZA			F-43	30	
16	MARK	86641-KYJ-900	ZA	ZC	ZB			F-50	4	
17	MARK, HONDA	86645-KYJ-900	ZA	ZC	ZB			F-50	5	
18	MARK, HONDA	86831-KPP-T00	ZA	ZA	ZA			F-50	6	
19	MARK, L. WING	86172-KPP-T00	ZJ	ZF	ZC			F-50	2	
20	MARK, R. WING	86171-KPP-T00	ZJ	ZF	ZC			F-50	1	
21	PANEL, L. MIDDLE	64380-KYJ-900	ZD	ZD	ZD			F-45	8	
22	PANEL, R. MIDDLE	64370-KYJ-900	ZD	ZD	ZD			F-45	7	
23	TANK SET, FUEL	17520-KYJ-900	ZC	ZG	ZD			F-21	8	
24	WHEEL SUB ASSY., FR.	44650-KYJ-900	ZA	ZA	ZA			F-14-40	7	
25	WHEEL SUB ASSY., RR.	42650-KYJ-900	ZA	ZA	ZA			F-19-40	10	

CBR250R (CBR250Rc)

No.	MODEL		CBR250RC						Applicable block No.	Ref. No.
	COLOR		Asteroid black metallic	Sword silver metallic	Candy ruby red	Applicable model				
	CODE		NH-A35M	NH-A95M	R-4C	Initial applicable model	Final applicable model			
	Name of colored parts	Basic part No.	NHA35E	NHA95	R4					
1	COVER ASSY., FUEL TANK	64700-KPP-T00	ZC	ZF	ZD			F-21	28	
2	COVER, L. RR.	83680-KPP-T00	ZD	ZD	ZD			F-24	11	
3	COVER, R. RR.	83670-KPP-T00	ZD	ZD	ZD			F-24	10	
4	COWL SET, FR. UPPER	64200-KYJ-900	ZC	ZA	ZB			F-43	3	
5	COWL SET, L. MIDDLE	64400-KYJ-900	ZA	ZC	ZB			F-45	9	
6	COWL SET, R. MIDDLE	64300-KYJ-900	ZA	ZC	ZB			F-45	1	
7	COWL SET, RR. CENTER UPPER	83450-KPP-T00	ZA	ZA	ZA			F-24	2	
8	COWL, L. FR. SIDE	64220-KPP-T00	ZH	ZH	ZH			F-43	6	
9	COWL, R. FR. SIDE	64210-KPP-T00	ZH	ZH	ZH			F-43	4	
10	FENDER, FR.	61100-KPP-T00	ZA	ZH	ZE			F-10	5	
11	FLANGE SUB ASSY., RR. DRIVEN	42615-KYJ-900	ZA	ZA	ZA			F-19-40	7	
12	GRIP, L. RR.	50325-KPP-T00	ZA	ZA	ZA			F-23	3	
13	GRIP, R. RR.	50315-KPP-T00	ZA	ZA	ZA			F-23	2	
14	LID ASSY., L. TANK	64600-KYJ-900	ZD	ZC	ZA			F-43	28	
15	LID ASSY., R. TANK	64500-KYJ-900	ZD	ZC	ZA			F-43	30	
16	MARK	86641-KYJ-900	ZA	ZC	ZB			F-50	4	
17	MARK, HONDA	86645-KYJ-900	ZA	ZC	ZB			F-50	5	
18	MARK, HONDA	86831-KPP-T00	ZA	ZA	ZA			F-50	6	
19	MARK, L. WING	86172-KPP-T00	ZJ	ZF	ZC			F-50	2	
20	MARK, R. WING	86171-KPP-T00	ZJ	ZF	ZC			F-50	1	
21	PANEL, L. MIDDLE	64380-KYJ-900	ZD	ZD	ZD			F-45	8	
22	PANEL, R. MIDDLE	64370-KYJ-900	ZD	ZD	ZD			F-45	7	
23	TANK SET, FUEL	17520-KYJ-900	ZB	ZG	ZA			F-21	8	
24	WHEEL SUB ASSY., FR.	44650-KYJ-900	ZA	ZA	ZA			F-14-40	7	
25	WHEEL SUB ASSY., RR.	42650-KYJ-900	ZA	ZA	ZA			F-19-40	10	

CBR250R (CBR250RD).....3IN,3MA

No.	MODEL		CBR250RD				Ref. No.
	COLOR		Pearl himalayas white NH-A87P	Applicable model		Applicable block No.	
	Name of colored parts	Basic part No.		Initial applicable model	Final applicable model		
1	COVER ASSY., FUEL TANK	64700-KPP-T00	ZN			F-21	28
2	COVER SET, L. RR.	83630-KYJ-K20	ZA			F-24	21
3	COVER SET, R. RR.	83620-KYJ-K20	ZA			F-24	20
4	COWL SET, FR. UPPER	64200-KYJ-K20	ZA			F-43	3
5	COWL SET, FR. UPPER	64200-KYJ-K20	ZA			F-43-1	4
6	COWL SET, L. MIDDLE	64400-KYJ-K20	ZA			F-45	9
7	COWL SET, R. MIDDLE	64300-KYJ-K20	ZA			F-45	1
8	COWL SET, RR. CENTER UPPER	83450-KPP-T00	ZA			F-24	2
9	COWL, L. FR. SIDE	64220-KPP-T00	ZP			F-43	6
10	COWL, L. FR. SIDE	64220-KPP-T00	ZP			F-43-1	7
11	COWL, R. FR. SIDE	64210-KPP-T00	ZN			F-43	4
12	COWL, R. FR. SIDE	64210-KPP-T00	ZN			F-43-1	5
13	FENDER, FR.	61100-KPP-T00	ZS			F-10	5
14	FLANGE SUB ASSY., RR. DRIVEN	42615-KYJ-900	ZC			F-19-40	7
15	GRIP, L. RR.	50325-KPP-T00	ZA			F-23	3
16	GRIP, R. RR.	50315-KPP-T00	ZA			F-23	2
17	MARK	86832-KYJ-K20	ZA			F-50-2	14
18	MARK, HONDA	86831-KPP-T00	ZA			F-50-2	13
19	MARK, L. WING	86202-KYJ-E20	ZD			F-50-2	6
20	MARK, R. WING	86201-KYJ-E20	ZD			F-50-2	5
21	PANEL SET, L. MIDDLE	64440-KYJ-K20	ZA			F-45	18
22	PANEL SET, R. MIDDLE	64340-KYJ-K20	ZA			F-45	17
23	SEAT COMP., SINGLE	77100-KYJ-D20	ZB			F-23	6
24	STRIPE A, L. FUEL TANK	86172-KYJ-K20	ZA			F-50-2	2
25	STRIPE A, R. FUEL TANK	86171-KYJ-K20	ZA			F-50-2	1



CBR250R (CBR250RD).....3IN,3MA

No.	MODEL		CBR250RD				Ref. No.
	COLOR		Pearl himalayas white NH-A87P	Applicable model		Applicable block No.	
	Name of colored parts	Basic part No.		Initial applicable model	Final applicable model		
26	STRIPE B, L. FUEL TANK	86174-KYJ-K20	ZA			F-50-2	4
27	STRIPE B, R. FUEL TANK	86173-KYJ-K20	ZA			F-50-2	3
28	STRIPE, FR. UPPER COWL	86640-KYJ-K20	ZA			F-50-2	8
29	STRIPE, L. MIDDLE COWL	86643-KYJ-K20	ZA			F-50-2	10
30	STRIPE, L. MIDDLE PANEL	86649-KYJ-K20	ZA			F-50-2	12
31	STRIPE, R. MIDDLE COWL	86642-KYJ-K20	ZA			F-50-2	9
32	STRIPE, R. MIDDLE PANEL	86648-KYJ-K20	ZA			F-50-2	11
33	TANK SET, FUEL	17520-KYJ-K20	ZA			F-21	8
34	WHEEL SUB ASSY., FR.	44650-KYJ-900	ZC			F-14-40	7
35	WHEEL SUB ASSY., RR.	42650-KYJ-900	ZC			F-19-40	10

CBR250R (CBR250RD).....3KO,3U

No.	MODEL		CBR250RD				
	COLOR		Pearl himalayas white NH-A87P	Applicable model		Applicable block No.	Ref. No.
	CODE			Initial applicable model	Final applicable model		
	Name of colored parts	Basic part No.	NHA87				
1	COVER ASSY., FUEL TANK	64700-KPP-T00	ZN			F-21	28
2	COVER SET, L. RR.	83630-KYJ-K20	ZA			F-24	21
3	COVER SET, R. RR.	83620-KYJ-K20	ZA			F-24	20
4	COWL SET, FR. UPPER	64200-KYJ-K20	ZA			F-43	3
5	COWL SET, L. MIDDLE	64400-KYJ-K20	ZA			F-45	9
6	COWL SET, R. MIDDLE	64300-KYJ-K20	ZA			F-45	1
7	COWL SET, RR. CENTER UPPER	83450-KPP-T00	ZA			F-24	2
8	COWL, L. FR. SIDE	64220-KPP-T00	ZP			F-43	6
9	COWL, R. FR. SIDE	64210-KPP-T00	ZN			F-43	4
10	FENDER, FR.	61100-KPP-T00	ZS			F-10	5
11	FLANGE SUB ASSY., RR. DRIVEN	42615-KYJ-900	ZC			F-19-40	7
12	GRIP, L. RR.	50325-KPP-T00	ZA			F-23	3
13	GRIP, R. RR.	50315-KPP-T00	ZA			F-23	2
14	MARK	86832-KYJ-K20	ZA			F-50-2	14
15	MARK, HONDA	86831-KPP-T00	ZA			F-50-2	13
16	MARK, L. WING	86202-KYJ-E20	ZD			F-50-2	6
17	MARK, R. WING	86201-KYJ-E20	ZD			F-50-2	5
18	PANEL SET, L. MIDDLE	64440-KYJ-K20	ZA			F-45	18
19	PANEL SET, R. MIDDLE	64340-KYJ-K20	ZA			F-45	17
20	SEAT COMP., SINGLE	77100-KYJ-D20	ZB			F-23	6
21	STRIPE A, L. FUEL TANK	86172-KYJ-K20	ZA			F-50-2	2
22	STRIPE A, R. FUEL TANK	86171-KYJ-K20	ZA			F-50-2	1
23	STRIPE B, L. FUEL TANK	86174-KYJ-K20	ZA			F-50-2	4
24	STRIPE B, R. FUEL TANK	86173-KYJ-K20	ZA			F-50-2	3
25	STRIPE, FR. UPPER COWL	86640-KYJ-K20	ZA			F-50-2	8

CBR250R (CBR250RD).....3KO,3U

No.	MODEL		CBR250RD				
	COLOR		Pearl himalayas white NH-A87P	Applicable model		Applicable block No.	Ref. No.
	CODE			Initial applicable model	Final applicable model		
	Name of colored parts	Basic part No.	NHA87				
26	STRIPE, L. MIDDLE COWL	86643-KYJ-K20	ZA			F-50-2	10
27	STRIPE, L. MIDDLE PANEL	86649-KYJ-K20	ZA			F-50-2	12
28	STRIPE, R. MIDDLE COWL	86642-KYJ-K20	ZA			F-50-2	9
29	STRIPE, R. MIDDLE PANEL	86648-KYJ-K20	ZA			F-50-2	11
30	TANK SET, FUEL	17520-KYJ-K20	ZA			F-21	8
31	WHEEL SUB ASSY., FR.	44650-KYJ-900	ZC			F-14-40	7
32	WHEEL SUB ASSY., RR.	42650-KYJ-900	ZC			F-19-40	10

1

CBR250R (CBR250RD).....4IN,4MA

No.	MODEL		CBR250RD				
	COLOR		Nitric orange YR-271	Applicable model		Applicable block No.	Ref. No.
	Name of colored parts	Basic part No.		Initial applicable model	Final applicable model		
1	COVER SET, FUEL TANK	64410-KTY-D70	ZA			F-21	29
2	COVER SET, L. RR.	83630-KTY-D70	ZA			F-24	21
3	COVER SET, R. RR.	83620-KTY-D70	ZA			F-24	20
4	COWL SET, FR. UPPER	64200-KYJ-M60	ZB			F-43	3
5	COWL SET, FR. UPPER	64200-KYJ-M60	ZB			F-43-1	4
6	COWL SET, L. FR. SIDE	64225-KTY-D70	ZA			F-43	32
7	COWL SET, L. FR. SIDE	64225-KTY-D70	ZA			F-43-1	31
8	COWL SET, L. MIDDLE	64400-KYJ-M60	ZB			F-45	9
9	COWL SET, R. FR. SIDE	64215-KTY-D70	ZA			F-43	31
10	COWL SET, R. FR. SIDE	64215-KTY-D70	ZA			F-43-1	30
11	COWL SET, R. MIDDLE	64300-KYJ-M60	ZB			F-45	1
12	COWL SET, RR. CENTER UPPER	83450-KPP-T00	ZA			F-24	2
13	FENDER, FR.	61100-KPP-T00	ZN			F-10	5
14	FLANGE SUB ASSY., RR. DRIVEN	42615-KYJ-900	ZD			F-19-40	7
15	GRIP, L. RR.	50325-KPP-T00	ZA			F-23	3
16	GRIP, R. RR.	50315-KPP-T00	ZA			F-23	2
17	MARK, HONDA	86831-KPP-T00	ZA			F-50-3	13
18	MARK, HRC	86649-KTY-D70	ZA			F-50-3	11
19	MARK, L. WING	86172-KTY-D70	ZA			F-50-3	2
20	MARK, R. WING	86171-KTY-D70	ZA			F-50-3	1
21	MARK, REPSOL	86650-KTY-D70	ZA			F-50-3	12
22	SEAT COMP., SINGLE	77100-KYJ-D20	ZB			F-23	6
23	STRIPE, FR. UPPER COWL	86641-KYJ-M60	ZA			F-50-3	6
24	STRIPE, L. FR. SIDE COWL	86644-KTY-D70	ZA			F-50-3	8
25	STRIPE, L. FUEL TANK	86174-KTY-D70	ZA			F-50-3	4

CBR250R (CBR250RD).....4IN,4MA

No.	MODEL		CBR250RD				Ref. No.
	COLOR		Nitric orange YR-271	Applicable model		Applicable block No.	
	Name of colored parts	Basic part No.		Initial applicable model	Final applicable model		
26	STRIPE, L. MIDDLE COWL	86648-KYJ-M60	ZA			F-50-3	10
27	STRIPE, L. RR. COVER	86833-KTY-D70	ZA			F-50-3	15
28	STRIPE, R. FR. SIDE COWL	86643-KTY-D70	ZA			F-50-3	7
29	STRIPE, R. FUEL TANK	86173-KTY-D70	ZA			F-50-3	3
30	STRIPE, R. MIDDLE COWL	86647-KYJ-M60	ZA			F-50-3	9
31	STRIPE, R. RR. COVER	86832-KTY-D70	ZA			F-50-3	14
32	TANK SET, FUEL	17520-KYJ-M60	ZB			F-21	8
33	WHEEL SUB ASSY., FR.	44650-KYJ-900	ZD			F-14-40	7
34	WHEEL SUB ASSY., RR.	42650-KYJ-900	ZD			F-19-40	10

CBR250R (CBR250RD).....4U

No.	MODEL		CBR250RD				
	COLOR		Nitric orange	Applicable model		Applicable block No.	Ref. No.
	CODE		YR-271	Initial applicable model	Final applicable model		
	Name of colored parts	Basic part No.	YR271				
1	COVER SET, FUEL TANK	64410-KTY-D70	ZA			F-21	29
2	COVER SET, L. RR.	83630-KTY-D70	ZA			F-24	21
3	COVER SET, R. RR.	83620-KTY-D70	ZA			F-24	20
4	COWL SET, FR. UPPER	64200-KYJ-M60	ZB			F-43	3
5	COWL SET, L. FR. SIDE	64225-KTY-D70	ZA			F-43	32
6	COWL SET, L. MIDDLE	64400-KYJ-M60	ZB			F-45	9
7	COWL SET, R. FR. SIDE	64215-KTY-D70	ZA			F-43	31
8	COWL SET, R. MIDDLE	64300-KYJ-M60	ZB			F-45	1
9	COWL SET, RR. CENTER UPPER	83450-KPP-T00	ZA			F-24	2
10	FENDER, FR.	61100-KPP-T00	ZN			F-10	5
11	FLANGE SUB ASSY., RR. DRIVEN	42615-KYJ-900	ZD			F-19-40	7
12	GRIP, L. RR.	50325-KPP-T00	ZA			F-23	3
13	GRIP, R. RR.	50315-KPP-T00	ZA			F-23	2
14	MARK, HONDA	86831-KPP-T00	ZA			F-50-3	13
15	MARK, HRC	86649-KTY-D70	ZA			F-50-3	11
16	MARK, L. WING	86172-KTY-D70	ZA			F-50-3	2
17	MARK, R. WING	86171-KTY-D70	ZA			F-50-3	1
18	MARK, REPSOL	86650-KTY-D70	ZA			F-50-3	12
19	SEAT COMP., SINGLE	77100-KYJ-D20	ZB			F-23	6
20	STRIPE, FR. UPPER COWL	86641-KYJ-M60	ZA			F-50-3	6
21	STRIPE, L. FR. SIDE COWL	86644-KTY-D70	ZA			F-50-3	8
22	STRIPE, L. FUEL TANK	86174-KTY-D70	ZA			F-50-3	4
23	STRIPE, L. MIDDLE COWL	86648-KYJ-M60	ZA			F-50-3	10
24	STRIPE, L. RR. COVER	86833-KTY-D70	ZA			F-50-3	15
25	STRIPE, R. FR. SIDE COWL	86643-KTY-D70	ZA			F-50-3	7



CBR250R (CBR250RD).....4U

No.	MODEL		CBR250RD				Ref. No.
	COLOR		Nitric orange YR-271	Applicable model		Applicable block No.	
	CODE			YR271	Initial applicable model		
	Name of colored parts	Basic part No.					
26	STRIPE, R. FUEL TANK	86173-KTY-D70	ZA			F-50-3	3
27	STRIPE, R. MIDDLE COWL	86647-KYJ-M60	ZA			F-50-3	9
28	STRIPE, R. RR. COVER	86832-KTY-D70	ZA			F-50-3	14
29	TANK SET, FUEL	17520-KYJ-M60	ZB			F-21	8
30	WHEEL SUB ASSY., FR.	44650-KYJ-900	ZD			F-14-40	7
31	WHEEL SUB ASSY., RR.	42650-KYJ-900	ZD			F-19-40	10

1

CBR250R (CBR250RD).....5MA

No.	MODEL		CBR250RD				Ref. No.
	COLOR		Asteroid black metallic NH-A35M	Applicable model		Applicable block No.	
	Name of colored parts	Basic part No.		Initial applicable model	Final applicable model		
1	COVER ASSY., FUEL TANK	64700-KPP-T00	ZC			F-21	28
2	COVER SET, L. RR.	83630-KYJ-L40	ZA			F-24	21
3	COVER SET, R. RR.	83620-KYJ-L40	ZA			F-24	20
4	COWL SET, FR. UPPER	64200-KYJ-E20	ZC			F-43	3
5	COWL SET, L. MIDDLE	64400-KYJ-L40	ZA			F-45	9
6	COWL SET, R. MIDDLE	64300-KYJ-L40	ZA			F-45	1
7	COWL SET, RR. CENTER UPPER	83450-KPP-T00	ZA			F-24	2
8	COWL, L. FR. SIDE	64220-KPP-T00	ZA			F-43	6
9	COWL, R. FR. SIDE	64210-KPP-T00	ZA			F-43	4
10	FENDER, FR.	61100-KPP-T00	ZP			F-10	5
11	FLANGE SUB ASSY., RR. DRIVEN	42615-KYJ-900	ZC			F-19-40	7
12	GRIP, L. RR.	50325-KPP-T00	ZA			F-23	3
13	GRIP, R. RR.	50315-KPP-T00	ZA			F-23	2
14	LID ASSY., L. TANK	64600-KYJ-900	ZD			F-43	28
15	LID ASSY., R. TANK	64500-KYJ-900	ZD			F-43	30
16	MARK, HONDA	86101-KYJ-E20	ZC			F-50-4	1
17	MARK, HONDA	86831-KPP-T00	ZA			F-50-4	13
18	MARK, L. WING	86202-KYJ-E20	ZC			F-50-4	3
19	MARK, R. WING	86201-KYJ-E20	ZC			F-50-4	2
20	PANEL SET, L. MIDDLE	64440-KYJ-L40	ZA			F-45	18
21	PANEL SET, R. MIDDLE	64340-KYJ-L40	ZA			F-45	17
22	SEAT COMP., PILLION	77300-KYJ-L40	ZB			F-23	16
23	SEAT COMP., SINGLE	77100-KYJ-D20	ZA			F-23	6
24	STRIPE A, L. MIDDLE COWL	86643-KYJ-L40	ZA			F-50-4	6
25	STRIPE A, R. MIDDLE COWL	86642-KYJ-L40	ZA			F-50-4	5

CBR250R (CBR250RD).....5MA

No.	MODEL		CBR250RD				Ref. No.
	COLOR		Asteroid black metallic	Applicable model		Applicable block No.	
	Name of colored parts	Basic part No.	NH-A35M	Initial applicable model	Final applicable model		
26	STRIPE B, L. MIDDLE COWL	86645-KYJ-L40	ZA			F-50-4	8
27	STRIPE B, R. MIDDLE COWL	86644-KYJ-L40	ZA			F-50-4	7
28	STRIPE C, L. MIDDLE COWL	86647-KYJ-L40	ZA			F-50-4	10
29	STRIPE C, R. MIDDLE COWL	86646-KYJ-L40	ZA			F-50-4	9
30	STRIPE, L. MIDDLE PANEL	86649-KYJ-L40	ZA			F-50-4	12
31	STRIPE, L. RR. COVER	86834-KYJ-L40	ZA			F-50-4	15
32	STRIPE, R. MIDDLE PANEL	86648-KYJ-L40	ZA			F-50-4	11
33	STRIPE, R. RR. COVER	86833-KYJ-L40	ZA			F-50-4	14
34	TANK SET, FUEL	17520-KYJ-E20	ZB			F-21	8
35	WHEEL SUB ASSY., FR.	44650-KYJ-900	ZC			F-14-40	7
36	WHEEL SUB ASSY., RR.	42650-KYJ-900	ZC			F-19-40	10

CBR250R (CBR250RD).....5U

No.	MODEL		CBR250RD				
	COLOR		Asteroid black metallic NH-A35M	Applicable model		Applicable block No.	Ref. No.
	CODE			Initial applicable model	Final applicable model		
	Name of colored parts	Basic part No.	NHA35				
1	COVER ASSY., FUEL TANK	64700-KPP-T00	ZC			F-21	28
2	COVER SET, L. RR.	83630-KYJ-L40	ZA			F-24	21
3	COVER SET, R. RR.	83620-KYJ-L40	ZA			F-24	20
4	COWL SET, FR. UPPER	64200-KYJ-E20	ZC			F-43	3
5	COWL SET, L. MIDDLE	64400-KYJ-L40	ZA			F-45	9
6	COWL SET, R. MIDDLE	64300-KYJ-L40	ZA			F-45	1
7	COWL SET, RR. CENTER UPPER	83450-KPP-T00	ZA			F-24	2
8	COWL, L. FR. SIDE	64220-KPP-T00	ZA			F-43	6
9	COWL, R. FR. SIDE	64210-KPP-T00	ZA			F-43	4
10	FENDER, FR.	61100-KPP-T00	ZP			F-10	5
11	FLANGE SUB ASSY., RR. DRIVEN	42615-KYJ-900	ZC			F-19-40	7
12	GRIP, L. RR.	50325-KPP-T00	ZA			F-23	3
13	GRIP, R. RR.	50315-KPP-T00	ZA			F-23	2
14	LID ASSY., L. TANK	64600-KYJ-900	ZD			F-43	28
15	LID ASSY., R. TANK	64500-KYJ-900	ZD			F-43	30
16	MARK, HONDA	86101-KYJ-E20	ZC			F-50-4	1
17	MARK, HONDA	86831-KPP-T00	ZA			F-50-4	13
18	MARK, L. WING	86202-KYJ-E20	ZC			F-50-4	3
19	MARK, R. WING	86201-KYJ-E20	ZC			F-50-4	2
20	PANEL SET, L. MIDDLE	64440-KYJ-L40	ZA			F-45	18
21	PANEL SET, R. MIDDLE	64340-KYJ-L40	ZA			F-45	17
22	SEAT COMP., PILLION	77300-KYJ-L40	ZB			F-23	16
23	SEAT COMP., SINGLE	77100-KYJ-D20	ZA			F-23	6
24	STRIPE A, L. MIDDLE COWL	86643-KYJ-L40	ZA			F-50-4	6
25	STRIPE A, R. MIDDLE COWL	86642-KYJ-L40	ZA			F-50-4	5

CBR250R (CBR250RD).....5U

No.	MODEL		CBR250RD				Ref. No.
	COLOR		Asteroid black metallic NH-A35M	Applicable model		Applicable block No.	
	CODE			Initial applicable model	Final applicable model		
	Name of colored parts	Basic part No.	NHA35				
26	STRIPE B, L. MIDDLE COWL	86645-KYJ-L40	ZA			F-50-4	8
27	STRIPE B, R. MIDDLE COWL	86644-KYJ-L40	ZA			F-50-4	7
28	STRIPE C, L. MIDDLE COWL	86647-KYJ-L40	ZA			F-50-4	10
29	STRIPE C, R. MIDDLE COWL	86646-KYJ-L40	ZA			F-50-4	9
30	STRIPE, L. MIDDLE PANEL	86649-KYJ-L40	ZA			F-50-4	12
31	STRIPE, L. RR. COVER	86834-KYJ-L40	ZA			F-50-4	15
32	STRIPE, R. MIDDLE PANEL	86648-KYJ-L40	ZA			F-50-4	11
33	STRIPE, R. RR. COVER	86833-KYJ-L40	ZA			F-50-4	14
34	TANK SET, FUEL	17520-KYJ-E20	ZB			F-21	8
35	WHEEL SUB ASSY., FR.	44650-KYJ-900	ZC			F-14-40	7
36	WHEEL SUB ASSY., RR.	42650-KYJ-900	ZC			F-19-40	10

CBR250R (CBR250RD).....6U

No.	MODEL		CBR250RD				
	COLOR		Candy lightning blue PB-325C	Applicable model		Applicable block No.	Ref. No.
	CODE			Initial applicable model	Final applicable model		
	Name of colored parts	Basic part No.	PB325				
1	COVER ASSY., FUEL TANK	64700-KPP-T00	ZL			F-21	28
2	COVER SET, L. RR.	83630-KYJ-L50	ZA			F-24	21
3	COVER SET, R. RR.	83620-KYJ-L50	ZA			F-24	20
4	COWL SET, FR. UPPER	64200-KYJ-E20	ZB			F-43	3
5	COWL SET, L. MIDDLE	64400-KYJ-L50	ZA			F-45	9
6	COWL SET, R. MIDDLE	64300-KYJ-L50	ZA			F-45	1
7	COWL SET, RR. CENTER UPPER	83450-KPP-T00	ZA			F-24	2
8	COWL, L. FR. SIDE	64220-KPP-T00	ZB			F-43	6
9	COWL, R. FR. SIDE	64210-KPP-T00	ZB			F-43	4
10	FENDER, FR.	61100-KPP-T00	ZQ			F-10	5
11	FLANGE SUB ASSY., RR. DRIVEN	42615-KYJ-900	ZC			F-19-40	7
12	GRIP, L. RR.	50325-KPP-T00	ZA			F-23	3
13	GRIP, R. RR.	50315-KPP-T00	ZA			F-23	2
14	LID ASSY., L. TANK	64600-KYJ-900	ZF			F-43	28
15	LID ASSY., R. TANK	64500-KYJ-900	ZF			F-43	30
16	MARK	86641-KYJ-L50	ZA			F-50-5	7
17	MARK, HONDA	86101-KYJ-E20	ZB			F-50-5	1
18	MARK, HONDA	86831-KPP-T00	ZA			F-50-5	12
19	MARK, L. WING	86202-KYJ-E20	ZB			F-50-5	5
20	MARK, R. WING	86201-KYJ-E20	ZB			F-50-5	4
21	PANEL, L. MIDDLE	64380-KYJ-900	ZE			F-45	8
22	PANEL, R. MIDDLE	64370-KYJ-900	ZE			F-45	7
23	SEAT COMP., PILLION	77300-KYJ-L40	ZA			F-23	16
24	SEAT COMP., SINGLE	77100-KYJ-D20	ZB			F-23	6
25	STRIPE A, FUEL TANK	86171-KYJ-L50	ZA			F-50-5	2

CBR250R (CBR250RD).....6U

No.	MODEL		CBR250RD				Ref. No.
	COLOR		Candy lightning blue PB-325C	Applicable model		Applicable block No.	
	CODE			Initial applicable model	Final applicable model		
	Name of colored parts	Basic part No.	PB325				
26	STRIPE A, L. MIDDLE COWL	86643-KYJ-L50	ZA			F-50-5	9
27	STRIPE A, R. MIDDLE COWL	86642-KYJ-L50	ZA			F-50-5	8
28	STRIPE B, FUEL TANK	86172-KYJ-L50	ZA			F-50-5	3
29	STRIPE B, L. MIDDLE COWL	86645-KYJ-L50	ZA			F-50-5	11
30	STRIPE B, R. MIDDLE COWL	86644-KYJ-L50	ZA			F-50-5	10
31	STRIPE, L. RR. COVER	86834-KYJ-L50	ZA			F-50-5	14
32	STRIPE, R. RR. COVER	86833-KYJ-L50	ZA			F-50-5	13
33	TANK SET, FUEL	17520-KYJ-L50	ZA			F-21	8
34	WHEEL SUB ASSY., FR.	44650-KYJ-900	ZC			F-14-40	7
35	WHEEL SUB ASSY., RR.	42650-KYJ-900	ZC			F-19-40	10

CBR250R (CBR250RD).....IN,MA

No.	MODEL		CBR250RD					Ref. No.
	COLOR		Black	Millennium red	Applicable model		Applicable block No.	
	Name of colored parts	Basic part No.	NH-1	R-263	Initial applicable model	Final applicable model		
1	COVER ASSY., FUEL TANK	64700-KPP-T00	ZJ	ZA			F-21	28
2	COVER, L. RR.	83680-KPP-T00	ZJ	ZB			F-24	11
3	COVER, R. RR.	83670-KPP-T00	ZJ	ZB			F-24	10
4	COWL SET, FR. UPPER	64200-KYJ-E20	ZD	-			F-43	3
5	COWL SET, FR. UPPER	64200-KYJ-E20	ZD	ZE			F-43-1	4
6	COWL SET, L. MIDDLE	64400-KYJ-E20	ZB	ZC			F-45	9
7	COWL SET, R. MIDDLE	64300-KYJ-E20	ZB	ZC			F-45	1
8	COWL SET, RR. CENTER UPPER	83450-KPP-T00	ZA	ZA			F-24	2
9	COWL, L. FR. SIDE	64220-KPP-T00	ZB	-			F-43	6
10	COWL, L. FR. SIDE	64220-KPP-T00	ZB	ZC			F-43-1	7
11	COWL, R. FR. SIDE	64210-KPP-T00	ZB	-			F-43	4
12	COWL, R. FR. SIDE	64210-KPP-T00	ZB	ZC			F-43-1	5
13	FENDER, FR.	61100-KPP-T00	ZL	ZG			F-10	5
14	FLANGE SUB ASSY., RR. DRIVEN	42615-KYJ-900	ZC	ZC			F-19-40	7
15	GRIP, L. RR.	50325-KPP-T00	ZA	ZA			F-23	3
16	GRIP, R. RR.	50315-KPP-T00	ZA	ZA			F-23	2
17	LID ASSY., L. TANK	64600-KYJ-900	ZF	-			F-43	28
18	LID ASSY., L. TANK	64600-KYJ-900	ZF	ZE			F-43-1	29
19	LID ASSY., R. TANK	64500-KYJ-900	ZF	-			F-43	30
20	LID ASSY., R. TANK	64500-KYJ-900	ZF	ZE			F-43-1	28
21	MARK	86641-KYJ-E20	ZB	ZC			F-50	4
22	MARK, HONDA	86101-KYJ-E20	ZD	ZE			F-50	5
23	MARK, HONDA	86831-KPP-T00	ZA	ZA			F-50	6
24	MARK, L. WING	86202-KYJ-E20	ZE	ZF			F-50	2
25	MARK, R. WING	86201-KYJ-E20	ZE	ZF			F-50	1



CBR250R (CBR250RD).....IN,MA

No.	MODEL		CBR250RD					
	COLOR		Black	Millennium red	Applicable model		Applicable block No.	Ref. No.
	Name of colored parts	Basic part No.	NH-1	R-263	Initial applicable model	Final applicable model		
26	PANEL, L. MIDDLE	64380-KYJ-900	ZG	ZF			F-45	8
27	PANEL, R. MIDDLE	64370-KYJ-900	ZG	ZF			F-45	7
28	SEAT COMP., SINGLE	77100-KYJ-D20	ZB	ZB			F-23	6
29	TANK SET, FUEL	17520-KYJ-E20	ZC	ZD			F-21	8
30	WHEEL SUB ASSY., FR.	44650-KYJ-900	ZC	ZC			F-14-40	7
31	WHEEL SUB ASSY., RR.	42650-KYJ-900	ZC	ZC			F-19-40	10

CBR250R (CBR250RD).....KO,U

No.	MODEL		CBR250RD					Applicable block No.	Ref. No.
	COLOR		Black	Millennium red	Applicable model				
	CODE		NH-1	R-263	Initial applicable model	Final applicable model			
	Name of colored parts	Basic part No.	NH1	R263					
1	COVER ASSY., FUEL TANK	64700-KPP-T00	ZJ	ZA			F-21	28	
2	COVER, L. RR.	83680-KPP-T00	ZJ	ZB			F-24	11	
3	COVER, R. RR.	83670-KPP-T00	ZJ	ZB			F-24	10	
4	COWL SET, FR. UPPER	64200-KYJ-E20	ZD	ZE			F-43	3	
5	COWL SET, L. MIDDLE	64400-KYJ-E20	ZB	ZC			F-45	9	
6	COWL SET, R. MIDDLE	64300-KYJ-E20	ZB	ZC			F-45	1	
7	COWL SET, RR. CENTER UPPER	83450-KPP-T00	ZA	ZA			F-24	2	
8	COWL, L. FR. SIDE	64220-KPP-T00	ZB	ZC			F-43	6	
9	COWL, R. FR. SIDE	64210-KPP-T00	ZB	ZC			F-43	4	
10	FENDER, FR.	61100-KPP-T00	ZL	ZG			F-10	5	
11	FLANGE SUB ASSY., RR. DRIVEN	42615-KYJ-900	ZC	ZC			F-19-40	7	
12	GRIP, L. RR.	50325-KPP-T00	ZA	ZA			F-23	3	
13	GRIP, R. RR.	50315-KPP-T00	ZA	ZA			F-23	2	
14	LID ASSY., L. TANK	64600-KYJ-900	ZF	ZE			F-43	28	
15	LID ASSY., R. TANK	64500-KYJ-900	ZF	ZE			F-43	30	
16	MARK	86641-KYJ-E20	ZB	ZC			F-50	4	
17	MARK, HONDA	86101-KYJ-E20	ZD	ZE			F-50	5	
18	MARK, HONDA	86831-KPP-T00	ZA	ZA			F-50	6	
19	MARK, L. WING	86202-KYJ-E20	ZE	ZF			F-50	2	
20	MARK, R. WING	86201-KYJ-E20	ZE	ZF			F-50	1	
21	PANEL, L. MIDDLE	64380-KYJ-900	ZG	ZF			F-45	8	
22	PANEL, R. MIDDLE	64370-KYJ-900	ZG	ZF			F-45	7	
23	SEAT COMP., SINGLE	77100-KYJ-D20	ZB	ZB			F-23	6	
24	TANK SET, FUEL	17520-KYJ-E20	ZC	ZD			F-21	8	
25	WHEEL SUB ASSY., FR.	44650-KYJ-900	ZC	ZC			F-14-40	7	
26	WHEEL SUB ASSY., RR.	42650-KYJ-900	ZC	ZC			F-19-40	10	

CBR250RA (CBR250RAB).....2U

No.	MODEL		CBR250RAB				
	COLOR		Asteroid black metallic NH-A35M	Applicable model		Applicable block No.	Ref. No.
	CODE			Initial applicable model	Final applicable model		
	Name of colored parts	Basic part No.	NHA35				
1	COVER, FUEL TANK	64450-KPP-T00	ZA			F-21	18
2	COVER, L. RR.	83680-KPP-T00	ZA			F-24	11
3	COVER, R. RR.	83670-KPP-T00	ZA			F-24	10
4	COWL SET, FR. UPPER	64200-KYJ-900	ZD			F-43	3
5	COWL SET, L. MIDDLE	64400-KYJ-900	ZA			F-45	9
6	COWL SET, R. MIDDLE	64300-KYJ-900	ZA			F-45	1
7	COWL SET, RR. CENTER UPPER	83450-KPP-T00	ZA			F-24	2
8	COWL, L. FR. SIDE	64220-KPP-T00	ZA			F-43	6
9	COWL, R. FR. SIDE	64210-KPP-T00	ZA			F-43	4
10	FENDER SET, FR.	61000-KYJ-910	ZD			F-10	4
11	FLANGE SUB ASSY., RR. DRIVEN	42615-KYJ-900	ZA			F-19-40	7
12	GRIP, L. RR.	50325-KPP-T00	ZA			F-23	3
13	GRIP, R. RR.	50315-KPP-T00	ZA			F-23	2
14	MARK	86641-KYJ-900	ZA			F-50	4
15	MARK, ABS	86611-KYJ-910	ZA			F-50	3
16	MARK, HONDA	86645-KYJ-900	ZA			F-50	5
17	MARK, HONDA	86831-KPP-T00	ZA			F-50	6
18	MARK, L. WING	86172-KPP-T00	ZJ			F-50	2
19	MARK, R. WING	86171-KPP-T00	ZJ			F-50	1
20	PANEL, L. MIDDLE	64380-KYJ-900	ZC			F-45	8
21	PANEL, R. MIDDLE	64370-KYJ-900	ZC			F-45	7
22	TANK SET, FUEL	17520-KYJ-900	ZC			F-21	8
23	WHEEL SUB ASSY., FR.	44650-KYJ-910	ZA			F-14-40	7
24	WHEEL SUB ASSY., RR.	42650-KYJ-900	ZA			F-19-40	10

CBR250RA (CBR250RAB).....IN

No.	MODEL		CBR250RAB						Applicable block No.	Ref. No.
	COLOR		Asteroid black metallic NH-A35M	Sword silver metallic NH-A95M	Candy ruby red R-4C	Applicable model				
	Name of colored parts	Basic part No.				Initial applicable model	Final applicable model			
1	COVER, FUEL TANK	64450-KPP-T00	ZA	ZH	ZG			F-21	18	
2	COVER, L. RR.	83680-KPP-T00	ZD	ZD	ZD			F-24	11	
3	COVER, R. RR.	83670-KPP-T00	ZD	ZD	ZD			F-24	10	
4	COWL SET, FR. UPPER	64200-KYJ-900	ZD	ZF	ZE			F-43-1	4	
5	COWL SET, L. MIDDLE	64400-KYJ-900	ZA	ZC	ZB			F-45	9	
6	COWL SET, R. MIDDLE	64300-KYJ-900	ZA	ZC	ZB			F-45	1	
7	COWL SET, RR. CENTER UPPER	83450-KPP-T00	ZA	ZA	ZA			F-24	2	
8	COWL, L. FR. SIDE	64220-KPP-T00	ZH	ZH	ZH			F-43-1	7	
9	COWL, R. FR. SIDE	64210-KPP-T00	ZH	ZH	ZH			F-43-1	5	
10	FENDER SET, FR.	61000-KYJ-910	ZD	ZE	ZC			F-10	4	
11	FLANGE SUB ASSY., RR. DRIVEN	42615-KYJ-900	ZA	ZA	ZA			F-19-40	7	
12	GRIP, L. RR.	50325-KPP-T00	ZA	ZA	ZA			F-23	3	
13	GRIP, R. RR.	50315-KPP-T00	ZA	ZA	ZA			F-23	2	
14	LID ASSY., L. TANK	64600-KYJ-900	ZD	ZC	ZA			F-43-1	29	
15	LID ASSY., R. TANK	64500-KYJ-900	ZD	ZC	ZA			F-43-1	28	
16	MARK	86641-KYJ-900	ZA	ZC	ZB			F-50	4	
17	MARK, ABS	86611-KYJ-910	ZA	ZA	ZA			F-50	3	
18	MARK, HONDA	86645-KYJ-900	ZA	ZC	ZB			F-50	5	
19	MARK, HONDA	86831-KPP-T00	ZA	ZA	ZA			F-50	6	
20	MARK, L. WING	86172-KPP-T00	ZJ	ZF	ZC			F-50	2	
21	MARK, R. WING	86171-KPP-T00	ZJ	ZF	ZC			F-50	1	
22	PANEL, L. MIDDLE	64380-KYJ-900	ZD	ZD	ZD			F-45	8	
23	PANEL, R. MIDDLE	64370-KYJ-900	ZD	ZD	ZD			F-45	7	
24	TANK SET, FUEL	17520-KYJ-900	ZC	ZG	ZD			F-21	8	
25	WHEEL SUB ASSY., FR.	44650-KYJ-910	ZA	ZA	ZA			F-14-40	7	
26	WHEEL SUB ASSY., RR.	42650-KYJ-900	ZA	ZA	ZA			F-19-40	10	

CBR250RA (CBR250RAB).....KO,U

No.	MODEL		CBR250RAB					Applicable block No.	Ref. No.
	COLOR		Asteroid black metallic	Candy ruby red	Applicable model				
	CODE		NH-A35M	R-4C	Initial applicable model	Final applicable model			
	Name of colored parts	Basic part No.	NHA35E	R4					
1	COVER, FUEL TANK	64450-KPP-T00	ZA	ZG			F-21	18	
2	COVER, L. RR.	83680-KPP-T00	ZD	ZD			F-24	11	
3	COVER, R. RR.	83670-KPP-T00	ZD	ZD			F-24	10	
4	COWL SET, FR. UPPER	64200-KYJ-900	ZD	ZE			F-43	3	
5	COWL SET, L. MIDDLE	64400-KYJ-900	ZA	ZB			F-45	9	
6	COWL SET, R. MIDDLE	64300-KYJ-900	ZA	ZB			F-45	1	
7	COWL SET, RR. CENTER UPPER	83450-KPP-T00	ZA	ZA			F-24	2	
8	COWL, L. FR. SIDE	64220-KPP-T00	ZH	ZH			F-43	6	
9	COWL, R. FR. SIDE	64210-KPP-T00	ZH	ZH			F-43	4	
10	FENDER SET, FR.	61000-KYJ-910	ZD	ZC			F-10	4	
11	FLANGE SUB ASSY., RR. DRIVEN	42615-KYJ-900	ZA	ZA			F-19-40	7	
12	GRIP, L. RR.	50325-KPP-T00	ZA	ZA			F-23	3	
13	GRIP, R. RR.	50315-KPP-T00	ZA	ZA			F-23	2	
14	LID ASSY., L. TANK	64600-KYJ-900	ZD	ZA			F-43	28	
15	LID ASSY., R. TANK	64500-KYJ-900	ZD	ZA			F-43	30	
16	MARK	86641-KYJ-900	ZA	ZB			F-50	4	
17	MARK, ABS	86611-KYJ-910	ZA	ZA			F-50	3	
18	MARK, HONDA	86645-KYJ-900	ZA	ZB			F-50	5	
19	MARK, HONDA	86831-KPP-T00	ZA	ZA			F-50	6	
20	MARK, L. WING	86172-KPP-T00	ZJ	ZC			F-50	2	
21	MARK, R. WING	86171-KPP-T00	ZJ	ZC			F-50	1	
22	PANEL, L. MIDDLE	64380-KYJ-900	ZD	ZD			F-45	8	
23	PANEL, R. MIDDLE	64370-KYJ-900	ZD	ZD			F-45	7	
24	TANK SET, FUEL	17520-KYJ-900	ZC	ZD			F-21	8	
25	WHEEL SUB ASSY., FR.	44650-KYJ-910	ZA	ZA			F-14-40	7	
26	WHEEL SUB ASSY., RR.	42650-KYJ-900	ZA	ZA			F-19-40	10	

CBR250RA (CBR250RAB).....MA

No.	MODEL		CBR250RAB							Applicable block No.	Ref. No.
	COLOR		Ross white NH-196	Asteroid black metallic NH-A35M	Sword silver metallic NH-A95M	Candy ruby red R-4C	Applicable model				
	Name of colored parts	Basic part No.					Initial applicable model	Final applicable model			
1	COVER, FUEL TANK	64450-KPP-T00	ZB	ZA	ZH	ZG			F-21	18	
2	COVER, L. RR.	83680-KPP-T00	ZC	ZD	ZD	ZD			F-24	11	
3	COVER, R. RR.	83670-KPP-T00	ZC	ZD	ZD	ZD			F-24	10	
4	COWL SET, FR. UPPER	64200-KYJ-900	ZJ	ZD	ZF	ZE			F-43	3	
5	COWL SET, L. MIDDLE	64400-KYJ-900	ZD	ZA	ZC	ZB			F-45	9	
6	COWL SET, R. MIDDLE	64300-KYJ-900	ZD	ZA	ZC	ZB			F-45	1	
7	COWL SET, RR. CENTER UPPER	83450-KPP-T00	ZA	ZA	ZA	ZA			F-24	2	
8	COWL, L. FR. SIDE	64220-KPP-T00	ZJ	ZH	ZH	ZH			F-43	6	
9	COWL, R. FR. SIDE	64210-KPP-T00	ZJ	ZH	ZH	ZH			F-43	4	
10	FENDER SET, FR.	61000-KYJ-910	ZG	ZD	ZE	ZC			F-10	4	
11	FLANGE SUB ASSY., RR. DRIVEN	42615-KYJ-900	ZA	ZA	ZA	ZA			F-19-40	7	
12	GRIP, L. RR.	50325-KPP-T00	ZA	ZA	ZA	ZA			F-23	3	
13	GRIP, R. RR.	50315-KPP-T00	ZA	ZA	ZA	ZA			F-23	2	
14	LID ASSY., L. TANK	64600-KYJ-900	ZB	ZD	ZC	ZA			F-43	28	
15	LID ASSY., R. TANK	64500-KYJ-900	ZB	ZD	ZC	ZA			F-43	30	
16	MARK	86641-KYJ-900	ZD	ZA	ZC	ZB			F-50	4	
17	MARK, ABS	86611-KYJ-910	ZA	ZA	ZA	ZA			F-50	3	
18	MARK, HONDA	86645-KYJ-900	ZE	ZA	ZC	ZB			F-50	5	
19	MARK, HONDA	86831-KPP-T00	ZA	ZA	ZA	ZA			F-50	6	
20	MARK, L. WING	86172-KPP-T00	ZA	ZJ	ZF	ZC			F-50	2	
21	MARK, R. WING	86171-KPP-T00	ZA	ZJ	ZF	ZC			F-50	1	
22	PANEL, L. MIDDLE	64380-KYJ-900	ZA	ZD	ZD	ZD			F-45	8	
23	PANEL, R. MIDDLE	64370-KYJ-900	ZA	ZD	ZD	ZD			F-45	7	
24	TANK SET, FUEL	17520-KYJ-900	ZK	ZC	ZG	ZD			F-21	8	
25	WHEEL SUB ASSY., FR.	44650-KYJ-910	ZA	ZA	ZA	ZA			F-14-40	7	
26	WHEEL SUB ASSY., RR.	42650-KYJ-900	ZA	ZA	ZA	ZA			F-19-40	10	

CBR250RA (CBR250Rac)

No.	MODEL		CBR250RAC				
	COLOR		Asteroid black metallic NH-A35M	Applicable model		Applicable block No.	Ref. No.
	CODE			Initial applicable model	Final applicable model		
	Name of colored parts	Basic part No.	NHA35E				
1	COVER ASSY., FUEL TANK	64700-KPP-T00	ZC			F-21	28
2	COVER, L. RR.	83680-KPP-T00	ZD			F-24	11
3	COVER, R. RR.	83670-KPP-T00	ZD			F-24	10
4	COWL SET, FR. UPPER	64200-KYJ-900	ZC			F-43	3
5	COWL SET, L. MIDDLE	64400-KYJ-900	ZA			F-45	9
6	COWL SET, R. MIDDLE	64300-KYJ-900	ZA			F-45	1
7	COWL SET, RR. CENTER UPPER	83450-KPP-T00	ZA			F-24	2
8	COWL, L. FR. SIDE	64220-KPP-T00	ZH			F-43	6
9	COWL, R. FR. SIDE	64210-KPP-T00	ZH			F-43	4
10	FENDER SET, FR.	61000-KYJ-910	ZD			F-10	4
11	FLANGE SUB ASSY., RR. DRIVEN	42615-KYJ-900	ZA			F-19-40	7
12	GRIP, L. RR.	50325-KPP-T00	ZA			F-23	3
13	GRIP, R. RR.	50315-KPP-T00	ZA			F-23	2
14	LID ASSY., L. TANK	64600-KYJ-900	ZD			F-43	28
15	LID ASSY., R. TANK	64500-KYJ-900	ZD			F-43	30
16	MARK	86641-KYJ-900	ZA			F-50	4
17	MARK, ABS	86611-KYJ-910	ZA			F-50	3
18	MARK, HONDA	86645-KYJ-900	ZA			F-50	5
19	MARK, HONDA	86831-KPP-T00	ZA			F-50	6
20	MARK, L. WING	86172-KPP-T00	ZJ			F-50	2
21	MARK, R. WING	86171-KPP-T00	ZJ			F-50	1
22	PANEL, L. MIDDLE	64380-KYJ-900	ZD			F-45	8
23	PANEL, R. MIDDLE	64370-KYJ-900	ZD			F-45	7
24	TANK SET, FUEL	17520-KYJ-900	ZB			F-21	8
25	WHEEL SUB ASSY., FR.	44650-KYJ-910	ZA			F-14-40	7
26	WHEEL SUB ASSY., RR.	42650-KYJ-900	ZA			F-19-40	10

CBR250RA (CBR250RA_d).....3IN,3MA

No.	MODEL		CBR250RAD				Ref. No.
	COLOR		Pearl himalayas white NH-A87P	Applicable model		Applicable block No.	
	Name of colored parts	Basic part No.		Initial applicable model	Final applicable model		
1	COVER ASSY., FUEL TANK	64700-KPP-T00	ZN			F-21	28
2	COVER SET, L. RR.	83630-KYJ-K20	ZA			F-24	21
3	COVER SET, R. RR.	83620-KYJ-K20	ZA			F-24	20
4	COWL SET, FR. UPPER	64200-KYJ-K20	ZA			F-43	3
5	COWL SET, FR. UPPER	64200-KYJ-K20	ZA			F-43-1	4
6	COWL SET, L. MIDDLE	64400-KYJ-K20	ZA			F-45	9
7	COWL SET, R. MIDDLE	64300-KYJ-K20	ZA			F-45	1
8	COWL SET, RR. CENTER UPPER	83450-KPP-T00	ZA			F-24	2
9	COWL, L. FR. SIDE	64220-KPP-T00	ZP			F-43	6
10	COWL, L. FR. SIDE	64220-KPP-T00	ZP			F-43-1	7
11	COWL, R. FR. SIDE	64210-KPP-T00	ZN			F-43	4
12	COWL, R. FR. SIDE	64210-KPP-T00	ZN			F-43-1	5
13	FENDER SET, FR.	61000-KYJ-E20	ZA			F-10	4
14	FLANGE SUB ASSY., RR. DRIVEN	42615-KYJ-900	ZC			F-19-40	7
15	GRIP, L. RR.	50325-KPP-T00	ZA			F-23	3
16	GRIP, R. RR.	50315-KPP-T00	ZA			F-23	2
17	MARK	86832-KYJ-K20	ZA			F-50-2	14
18	MARK, ABS	86611-KYJ-E20	ZC			F-50-2	7
19	MARK, HONDA	86831-KPP-T00	ZA			F-50-2	13
20	MARK, L. WING	86202-KYJ-E20	ZD			F-50-2	6
21	MARK, R. WING	86201-KYJ-E20	ZD			F-50-2	5
22	PANEL SET, L. MIDDLE	64440-KYJ-K20	ZA			F-45	18
23	PANEL SET, R. MIDDLE	64340-KYJ-K20	ZA			F-45	17
24	SEAT COMP., SINGLE	77100-KYJ-D20	ZB			F-23	6
25	STRIPE A, L. FUEL TANK	86172-KYJ-K20	ZA			F-50-2	2

CBR250RA (CBR250RA_d).....3IN,3MA

No.	MODEL		CBR250RAD				Ref. No.
	COLOR		Pearl himalayas white NH-A87P	Applicable model		Applicable block No.	
	Name of colored parts	Basic part No.		Initial applicable model	Final applicable model		
26	STRIPE A, R. FUEL TANK	86171-KYJ-K20	ZA			F-50-2	1
27	STRIPE B, L. FUEL TANK	86174-KYJ-K20	ZA			F-50-2	4
28	STRIPE B, R. FUEL TANK	86173-KYJ-K20	ZA			F-50-2	3
29	STRIPE, FR. UPPER COWL	86640-KYJ-K20	ZA			F-50-2	8
30	STRIPE, L. MIDDLE COWL	86643-KYJ-K20	ZA			F-50-2	10
31	STRIPE, L. MIDDLE PANEL	86649-KYJ-K20	ZA			F-50-2	12
32	STRIPE, R. MIDDLE COWL	86642-KYJ-K20	ZA			F-50-2	9
33	STRIPE, R. MIDDLE PANEL	86648-KYJ-K20	ZA			F-50-2	11
34	TANK SET, FUEL	17520-KYJ-K20	ZA			F-21	8
35	WHEEL SUB ASSY., FR.	44650-KYJ-910	ZC			F-14-40	7
36	WHEEL SUB ASSY., RR.	42650-KYJ-900	ZC			F-19-40	10

CBR250RA (CBR250RAb).....3U

No.	MODEL		CBR250RAD				
	COLOR		Pearl himalayas white NH-A87P	Applicable model		Applicable block No.	Ref. No.
	CODE			Initial applicable model	Final applicable model		
	Name of colored parts	Basic part No.	NHA87				
1	COVER ASSY., FUEL TANK	64700-KPP-T00	ZN			F-21	28
2	COVER SET, L. RR.	83630-KYJ-K20	ZA			F-24	21
3	COVER SET, R. RR.	83620-KYJ-K20	ZA			F-24	20
4	COWL SET, FR. UPPER	64200-KYJ-K20	ZA			F-43	3
5	COWL SET, L. MIDDLE	64400-KYJ-K20	ZA			F-45	9
6	COWL SET, R. MIDDLE	64300-KYJ-K20	ZA			F-45	1
7	COWL SET, RR. CENTER UPPER	83450-KPP-T00	ZA			F-24	2
8	COWL, L. FR. SIDE	64220-KPP-T00	ZP			F-43	6
9	COWL, R. FR. SIDE	64210-KPP-T00	ZN			F-43	4
10	FENDER SET, FR.	61000-KYJ-E20	ZA			F-10	4
11	FLANGE SUB ASSY., RR. DRIVEN	42615-KYJ-900	ZC			F-19-40	7
12	GRIP, L. RR.	50325-KPP-T00	ZA			F-23	3
13	GRIP, R. RR.	50315-KPP-T00	ZA			F-23	2
14	MARK	86832-KYJ-K20	ZA			F-50-2	14
15	MARK, ABS	86611-KYJ-E20	ZC			F-50-2	7
16	MARK, HONDA	86831-KPP-T00	ZA			F-50-2	13
17	MARK, L. WING	86202-KYJ-E20	ZD			F-50-2	6
18	MARK, R. WING	86201-KYJ-E20	ZD			F-50-2	5
19	PANEL SET, L. MIDDLE	64440-KYJ-K20	ZA			F-45	18
20	PANEL SET, R. MIDDLE	64340-KYJ-K20	ZA			F-45	17
21	SEAT COMP., SINGLE	77100-KYJ-D20	ZB			F-23	6
22	STRIPE A, L. FUEL TANK	86172-KYJ-K20	ZA			F-50-2	2
23	STRIPE A, R. FUEL TANK	86171-KYJ-K20	ZA			F-50-2	1
24	STRIPE B, L. FUEL TANK	86174-KYJ-K20	ZA			F-50-2	4
25	STRIPE B, R. FUEL TANK	86173-KYJ-K20	ZA			F-50-2	3

CBR250RA (CBR250RAb).....3U

No.	MODEL		CBR250RAD				
	COLOR		Pearl himalayas white NH-A87P	Applicable model		Applicable block No.	Ref. No.
	CODE			Initial applicable model	Final applicable model		
	Name of colored parts	Basic part No.	NHA87				
26	STRIPE, FR. UPPER COWL	86640-KYJ-K20	ZA			F-50-2	8
27	STRIPE, L. MIDDLE COWL	86643-KYJ-K20	ZA			F-50-2	10
28	STRIPE, L. MIDDLE PANEL	86649-KYJ-K20	ZA			F-50-2	12
29	STRIPE, R. MIDDLE COWL	86642-KYJ-K20	ZA			F-50-2	9
30	STRIPE, R. MIDDLE PANEL	86648-KYJ-K20	ZA			F-50-2	11
31	TANK SET, FUEL	17520-KYJ-K20	ZA			F-21	8
32	WHEEL SUB ASSY., FR.	44650-KYJ-910	ZC			F-14-40	7
33	WHEEL SUB ASSY., RR.	42650-KYJ-900	ZC			F-19-40	10

CBR250RA (CBR250RA_d).....4IN,4MA

No.	MODEL		CBR250RAD				Ref. No.
	COLOR		Nitric orange YR-271	Applicable model		Applicable block No.	
	Name of colored parts	Basic part No.		Initial applicable model	Final applicable model		
1	COVER SET, FUEL TANK	64410-KTY-D70	ZA			F-21	29
2	COVER SET, L. RR.	83630-KTY-D70	ZA			F-24	21
3	COVER SET, R. RR.	83620-KTY-D70	ZA			F-24	20
4	COWL SET, FR. UPPER	64200-KYJ-M60	ZB			F-43	3
5	COWL SET, FR. UPPER	64200-KYJ-M60	ZB			F-43-1	4
6	COWL SET, L. FR. SIDE	64225-KTY-D70	ZA			F-43	32
7	COWL SET, L. FR. SIDE	64225-KTY-D70	ZA			F-43-1	31
8	COWL SET, L. MIDDLE	64400-KYJ-M60	ZB			F-45	9
9	COWL SET, R. FR. SIDE	64215-KTY-D70	ZA			F-43	31
10	COWL SET, R. FR. SIDE	64215-KTY-D70	ZA			F-43-1	30
11	COWL SET, R. MIDDLE	64300-KYJ-M60	ZB			F-45	1
12	COWL SET, RR. CENTER UPPER	83450-KPP-T00	ZA			F-24	2
13	FENDER SET, FR.	61000-KYJ-E20	ZB			F-10	4
14	FLANGE SUB ASSY., RR. DRIVEN	42615-KYJ-900	ZD			F-19-40	7
15	GRIP, L. RR.	50325-KPP-T00	ZA			F-23	3
16	GRIP, R. RR.	50315-KPP-T00	ZA			F-23	2
17	MARK, ABS	86611-KYJ-E20	ZA			F-50-3	5
18	MARK, HONDA	86831-KPP-T00	ZA			F-50-3	13
19	MARK, HRC	86649-KTY-D70	ZA			F-50-3	11
20	MARK, L. WING	86172-KTY-D70	ZA			F-50-3	2
21	MARK, R. WING	86171-KTY-D70	ZA			F-50-3	1
22	MARK, REPSOL	86650-KTY-D70	ZA			F-50-3	12
23	SEAT COMP., SINGLE	77100-KYJ-D20	ZB			F-23	6
24	STRIPE, FR. UPPER COWL	86641-KYJ-M60	ZA			F-50-3	6
25	STRIPE, L. FR. SIDE COWL	86644-KTY-D70	ZA			F-50-3	8

CBR250RA (CBR250RA_d).....4IN,4MA

No.	MODEL		CBR250RAD				Ref. No.
	COLOR		Nitric orange YR-271	Applicable model		Applicable block No.	
	Name of colored parts	Basic part No.		Initial applicable model	Final applicable model		
26	STRIPE, L. FUEL TANK	86174-KTY-D70	ZA			F-50-3	4
27	STRIPE, L. MIDDLE COWL	86648-KYJ-M60	ZA			F-50-3	10
28	STRIPE, L. RR. COVER	86833-KTY-D70	ZA			F-50-3	15
29	STRIPE, R. FR. SIDE COWL	86643-KTY-D70	ZA			F-50-3	7
30	STRIPE, R. FUEL TANK	86173-KTY-D70	ZA			F-50-3	3
31	STRIPE, R. MIDDLE COWL	86647-KYJ-M60	ZA			F-50-3	9
32	STRIPE, R. RR. COVER	86832-KTY-D70	ZA			F-50-3	14
33	TANK SET, FUEL	17520-KYJ-M60	ZB			F-21	8
34	WHEEL SUB ASSY., FR.	44650-KYJ-910	ZD			F-14-40	7
35	WHEEL SUB ASSY., RR.	42650-KYJ-900	ZD			F-19-40	10

CBR250RA (CBR250RA_d).....4KO,4U

No.	MODEL		CBR250RAD				
	COLOR		Nitric orange YR-271	Applicable model		Applicable block No.	Ref. No.
	CODE			YR271	Initial applicable model		
	Name of colored parts	Basic part No.					
1	COVER SET, FUEL TANK	64410-KTY-D70	ZA			F-21	29
2	COVER SET, L. RR.	83630-KTY-D70	ZA			F-24	21
3	COVER SET, R. RR.	83620-KTY-D70	ZA			F-24	20
4	COWL SET, FR. UPPER	64200-KYJ-M60	ZB			F-43	3
5	COWL SET, L. FR. SIDE	64225-KTY-D70	ZA			F-43	32
6	COWL SET, L. MIDDLE	64400-KYJ-M60	ZB			F-45	9
7	COWL SET, R. FR. SIDE	64215-KTY-D70	ZA			F-43	31
8	COWL SET, R. MIDDLE	64300-KYJ-M60	ZB			F-45	1
9	COWL SET, RR. CENTER UPPER	83450-KPP-T00	ZA			F-24	2
10	FENDER SET, FR.	61000-KYJ-E20	ZB			F-10	4
11	FLANGE SUB ASSY., RR. DRIVEN	42615-KYJ-900	ZD			F-19-40	7
12	GRIP, L. RR.	50325-KPP-T00	ZA			F-23	3
13	GRIP, R. RR.	50315-KPP-T00	ZA			F-23	2
14	MARK, ABS	86611-KYJ-E20	ZA			F-50-3	5
15	MARK, HONDA	86831-KPP-T00	ZA			F-50-3	13
16	MARK, HRC	86649-KTY-D70	ZA			F-50-3	11
17	MARK, L. WING	86172-KTY-D70	ZA			F-50-3	2
18	MARK, R. WING	86171-KTY-D70	ZA			F-50-3	1
19	MARK, REPSOL	86650-KTY-D70	ZA			F-50-3	12
20	SEAT COMP., SINGLE	77100-KYJ-D20	ZB			F-23	6
21	STRIPE, FR. UPPER COWL	86641-KYJ-M60	ZA			F-50-3	6
22	STRIPE, L. FR. SIDE COWL	86644-KTY-D70	ZA			F-50-3	8
23	STRIPE, L. FUEL TANK	86174-KTY-D70	ZA			F-50-3	4
24	STRIPE, L. MIDDLE COWL	86648-KYJ-M60	ZA			F-50-3	10
25	STRIPE, L. RR. COVER	86833-KTY-D70	ZA			F-50-3	15



1

CBR250RA (CBR250RA_d).....4KO,4U

No.	MODEL		CBR250RAD				
	COLOR		Nitric orange	Applicable model		Applicable block No.	Ref. No.
	CODE		YR-271				
	Name of colored parts	Basic part No.	YR271	Initial applicable model	Final applicable model		
26	STRIPE, R. FR. SIDE COWL	86643-KTY-D70	ZA			F-50-3	7
27	STRIPE, R. FUEL TANK	86173-KTY-D70	ZA			F-50-3	3
28	STRIPE, R. MIDDLE COWL	86647-KYJ-M60	ZA			F-50-3	9
29	STRIPE, R. RR. COVER	86832-KTY-D70	ZA			F-50-3	14
30	TANK SET, FUEL	17520-KYJ-M60	ZB			F-21	8
31	WHEEL SUB ASSY., FR.	44650-KYJ-910	ZD			F-14-40	7
32	WHEEL SUB ASSY., RR.	42650-KYJ-900	ZD			F-19-40	10

CBR250RA (CBR250RA_d).....5MA

No.	MODEL		CBR250RAD				Ref. No.
	COLOR		Asteroid black metallic NH-A35M	Applicable model		Applicable block No.	
	Name of colored parts	Basic part No.		Initial applicable model	Final applicable model		
1	COVER ASSY., FUEL TANK	64700-KPP-T00	ZC			F-21	28
2	COVER SET, L. RR.	83630-KYJ-L40	ZA			F-24	21
3	COVER SET, R. RR.	83620-KYJ-L40	ZA			F-24	20
4	COWL SET, FR. UPPER	64200-KYJ-E20	ZC			F-43	3
5	COWL SET, L. MIDDLE	64400-KYJ-L40	ZA			F-45	9
6	COWL SET, R. MIDDLE	64300-KYJ-L40	ZA			F-45	1
7	COWL SET, RR. CENTER UPPER	83450-KPP-T00	ZA			F-24	2
8	COWL, L. FR. SIDE	64220-KPP-T00	ZA			F-43	6
9	COWL, R. FR. SIDE	64210-KPP-T00	ZA			F-43	4
10	FENDER SET, FR.	61000-KYJ-E20	ZD			F-10	4
11	FLANGE SUB ASSY., RR. DRIVEN	42615-KYJ-900	ZC			F-19-40	7
12	GRIP, L. RR.	50325-KPP-T00	ZA			F-23	3
13	GRIP, R. RR.	50315-KPP-T00	ZA			F-23	2
14	LID ASSY., L. TANK	64600-KYJ-900	ZD			F-43	28
15	LID ASSY., R. TANK	64500-KYJ-900	ZD			F-43	30
16	MARK, ABS	86611-KYJ-E20	ZC			F-50-4	4
17	MARK, HONDA	86101-KYJ-E20	ZC			F-50-4	1
18	MARK, HONDA	86831-KPP-T00	ZA			F-50-4	13
19	MARK, L. WING	86202-KYJ-E20	ZC			F-50-4	3
20	MARK, R. WING	86201-KYJ-E20	ZC			F-50-4	2
21	PANEL SET, L. MIDDLE	64440-KYJ-L40	ZA			F-45	18
22	PANEL SET, R. MIDDLE	64340-KYJ-L40	ZA			F-45	17
23	SEAT COMP., PILLION	77300-KYJ-L40	ZB			F-23	16
24	SEAT COMP., SINGLE	77100-KYJ-D20	ZA			F-23	6
25	STRIPE A, L. MIDDLE COWL	86643-KYJ-L40	ZA			F-50-4	6



CBR250RA (CBR250RAb).....5MA

No.	MODEL		CBR250RAD				Ref. No.
	COLOR		Asteroid black metallic NH-A35M	Applicable model		Applicable block No.	
	Name of colored parts	Basic part No.		Initial applicable model	Final applicable model		
26	STRIPE A, R. MIDDLE COWL	86642-KYJ-L40	ZA			F-50-4	5
27	STRIPE B, L. MIDDLE COWL	86645-KYJ-L40	ZA			F-50-4	8
28	STRIPE B, R. MIDDLE COWL	86644-KYJ-L40	ZA			F-50-4	7
29	STRIPE C, L. MIDDLE COWL	86647-KYJ-L40	ZA			F-50-4	10
30	STRIPE C, R. MIDDLE COWL	86646-KYJ-L40	ZA			F-50-4	9
31	STRIPE, L. MIDDLE PANEL	86649-KYJ-L40	ZA			F-50-4	12
32	STRIPE, L. RR. COVER	86834-KYJ-L40	ZA			F-50-4	15
33	STRIPE, R. MIDDLE PANEL	86648-KYJ-L40	ZA			F-50-4	11
34	STRIPE, R. RR. COVER	86833-KYJ-L40	ZA			F-50-4	14
35	TANK SET, FUEL	17520-KYJ-E20	ZB			F-21	8
36	WHEEL SUB ASSY., FR.	44650-KYJ-910	ZC			F-14-40	7
37	WHEEL SUB ASSY., RR.	42650-KYJ-900	ZC			F-19-40	10

CBR250RA (CBR250RAb).....5U

No.	MODEL		CBR250RAD				
	COLOR		Asteroid black metallic NH-A35M	Applicable model		Applicable block No.	Ref. No.
	CODE			Initial applicable model	Final applicable model		
	Name of colored parts	Basic part No.	NHA35				
1	COVER ASSY., FUEL TANK	64700-KPP-T00	ZC			F-21	28
2	COVER SET, L. RR.	83630-KYJ-L40	ZA			F-24	21
3	COVER SET, R. RR.	83620-KYJ-L40	ZA			F-24	20
4	COWL SET, FR. UPPER	64200-KYJ-E20	ZC			F-43	3
5	COWL SET, L. MIDDLE	64400-KYJ-L40	ZA			F-45	9
6	COWL SET, R. MIDDLE	64300-KYJ-L40	ZA			F-45	1
7	COWL SET, RR. CENTER UPPER	83450-KPP-T00	ZA			F-24	2
8	COWL, L. FR. SIDE	64220-KPP-T00	ZA			F-43	6
9	COWL, R. FR. SIDE	64210-KPP-T00	ZA			F-43	4
10	FENDER SET, FR.	61000-KYJ-E20	ZD			F-10	4
11	FLANGE SUB ASSY., RR. DRIVEN	42615-KYJ-900	ZC			F-19-40	7
12	GRIP, L. RR.	50325-KPP-T00	ZA			F-23	3
13	GRIP, R. RR.	50315-KPP-T00	ZA			F-23	2
14	LID ASSY., L. TANK	64600-KYJ-900	ZD			F-43	28
15	LID ASSY., R. TANK	64500-KYJ-900	ZD			F-43	30
16	MARK, ABS	86611-KYJ-E20	ZC			F-50-4	4
17	MARK, HONDA	86101-KYJ-E20	ZC			F-50-4	1
18	MARK, HONDA	86831-KPP-T00	ZA			F-50-4	13
19	MARK, L. WING	86202-KYJ-E20	ZC			F-50-4	3
20	MARK, R. WING	86201-KYJ-E20	ZC			F-50-4	2
21	PANEL SET, L. MIDDLE	64440-KYJ-L40	ZA			F-45	18
22	PANEL SET, R. MIDDLE	64340-KYJ-L40	ZA			F-45	17
23	SEAT COMP., PILLION	77300-KYJ-L40	ZB			F-23	16
24	SEAT COMP., SINGLE	77100-KYJ-D20	ZA			F-23	6
25	STRIPE A, L. MIDDLE COWL	86643-KYJ-L40	ZA			F-50-4	6

CBR250RA (CBR250RAb).....5U

1

No.	MODEL		CBR250RAD				Ref. No.
	COLOR		Asteroid black metallic NH-A35M	Applicable model		Applicable block No.	
	CODE			Initial applicable model	Final applicable model		
	Name of colored parts	Basic part No.	NHA35				
26	STRIPE A, R. MIDDLE COWL	86642-KYJ-L40	ZA			F-50-4	5
27	STRIPE B, L. MIDDLE COWL	86645-KYJ-L40	ZA			F-50-4	8
28	STRIPE B, R. MIDDLE COWL	86644-KYJ-L40	ZA			F-50-4	7
29	STRIPE C, L. MIDDLE COWL	86647-KYJ-L40	ZA			F-50-4	10
30	STRIPE C, R. MIDDLE COWL	86646-KYJ-L40	ZA			F-50-4	9
31	STRIPE, L. MIDDLE PANEL	86649-KYJ-L40	ZA			F-50-4	12
32	STRIPE, L. RR. COVER	86834-KYJ-L40	ZA			F-50-4	15
33	STRIPE, R. MIDDLE PANEL	86648-KYJ-L40	ZA			F-50-4	11
34	STRIPE, R. RR. COVER	86833-KYJ-L40	ZA			F-50-4	14
35	TANK SET, FUEL	17520-KYJ-E20	ZB			F-21	8
36	WHEEL SUB ASSY., FR.	44650-KYJ-910	ZC			F-14-40	7
37	WHEEL SUB ASSY., RR.	42650-KYJ-900	ZC			F-19-40	10

CBR250RA (CBR250RAb).....6U

No.	MODEL		CBR250RAD				
	COLOR		Candy lightning blue PB-325C	Applicable model		Applicable block No.	Ref. No.
	CODE			PB325	Initial applicable model		
	Name of colored parts	Basic part No.					
1	COVER ASSY., FUEL TANK	64700-KPP-T00	ZL			F-21	28
2	COVER SET, L. RR.	83630-KYJ-L50	ZA			F-24	21
3	COVER SET, R. RR.	83620-KYJ-L50	ZA			F-24	20
4	COWL SET, FR. UPPER	64200-KYJ-E20	ZB			F-43	3
5	COWL SET, L. MIDDLE	64400-KYJ-L50	ZA			F-45	9
6	COWL SET, R. MIDDLE	64300-KYJ-L50	ZA			F-45	1
7	COWL SET, RR. CENTER UPPER	83450-KPP-T00	ZA			F-24	2
8	COWL, L. FR. SIDE	64220-KPP-T00	ZB			F-43	6
9	COWL, R. FR. SIDE	64210-KPP-T00	ZB			F-43	4
10	FENDER SET, FR.	61000-KYJ-E20	ZC			F-10	4
11	FLANGE SUB ASSY., RR. DRIVEN	42615-KYJ-900	ZC			F-19-40	7
12	GRIP, L. RR.	50325-KPP-T00	ZA			F-23	3
13	GRIP, R. RR.	50315-KPP-T00	ZA			F-23	2
14	LID ASSY., L. TANK	64600-KYJ-900	ZF			F-43	28
15	LID ASSY., R. TANK	64500-KYJ-900	ZF			F-43	30
16	MARK	86641-KYJ-L50	ZA			F-50-5	7
17	MARK, ABS	86611-KYJ-E20	ZB			F-50-5	6
18	MARK, HONDA	86101-KYJ-E20	ZB			F-50-5	1
19	MARK, HONDA	86831-KPP-T00	ZA			F-50-5	12
20	MARK, L. WING	86202-KYJ-E20	ZB			F-50-5	5
21	MARK, R. WING	86201-KYJ-E20	ZB			F-50-5	4
22	PANEL, L. MIDDLE	64380-KYJ-900	ZE			F-45	8
23	PANEL, R. MIDDLE	64370-KYJ-900	ZE			F-45	7
24	SEAT COMP., PILLION	77300-KYJ-L40	ZA			F-23	16
25	SEAT COMP., SINGLE	77100-KYJ-D20	ZB			F-23	6

CBR250RA (CBR250RAb).....6U

No.	MODEL		CBR250RAD				Ref. No.
	COLOR		Candy lightning blue PB-325C	Applicable model		Applicable block No.	
	CODE			Initial applicable model	Final applicable model		
	Name of colored parts	Basic part No.	PB325				
26	STRIPE A, FUEL TANK	86171-KYJ-L50	ZA			F-50-5	2
27	STRIPE A, L. MIDDLE COWL	86643-KYJ-L50	ZA			F-50-5	9
28	STRIPE A, R. MIDDLE COWL	86642-KYJ-L50	ZA			F-50-5	8
29	STRIPE B, FUEL TANK	86172-KYJ-L50	ZA			F-50-5	3
30	STRIPE B, L. MIDDLE COWL	86645-KYJ-L50	ZA			F-50-5	11
31	STRIPE B, R. MIDDLE COWL	86644-KYJ-L50	ZA			F-50-5	10
32	STRIPE, L. RR. COVER	86834-KYJ-L50	ZA			F-50-5	14
33	STRIPE, R. RR. COVER	86833-KYJ-L50	ZA			F-50-5	13
34	TANK SET, FUEL	17520-KYJ-L50	ZA			F-21	8
35	WHEEL SUB ASSY., FR.	44650-KYJ-910	ZC			F-14-40	7
36	WHEEL SUB ASSY., RR.	42650-KYJ-900	ZC			F-19-40	10

CBR250RA (CBR250RAb).....IN,MA

No.	MODEL		CBR250RAD						Applicable block No.	Ref. No.
	COLOR		Black	Ross white	Millennium red	Applicable model				
	Name of colored parts	Basic part No.	NH-1	NH-196	R-263	Initial applicable model	Final applicable model			
1	COVER ASSY., FUEL TANK	64700-KPP-T00	ZJ	ZB	ZA			F-21	28	
2	COVER, L. RR.	83680-KPP-T00	ZJ	ZC	ZB			F-24	11	
3	COVER, R. RR.	83670-KPP-T00	ZJ	ZC	ZB			F-24	10	
4	COWL SET, FR. UPPER	64200-KYJ-E20	ZD	ZA	-			F-43	3	
5	COWL SET, FR. UPPER	64200-KYJ-E20	ZD	-	ZE			F-43-1	4	
6	COWL SET, L. MIDDLE	64400-KYJ-E20	ZB	ZA	ZC			F-45	9	
7	COWL SET, R. MIDDLE	64300-KYJ-E20	ZB	ZA	ZC			F-45	1	
8	COWL SET, RR. CENTER UPPER	83450-KPP-T00	ZA	ZA	ZA			F-24	2	
9	COWL, L. FR. SIDE	64220-KPP-T00	ZB	ZJ	-			F-43	6	
10	COWL, L. FR. SIDE	64220-KPP-T00	ZB	-	ZC			F-43-1	7	
11	COWL, R. FR. SIDE	64210-KPP-T00	ZB	ZJ	-			F-43	4	
12	COWL, R. FR. SIDE	64210-KPP-T00	ZB	-	ZC			F-43-1	5	
13	FENDER SET, FR.	61000-KYJ-E20	ZF	-	ZE			F-10	4	
14	FLANGE SUB ASSY., RR. DRIVEN	42615-KYJ-900	ZC	ZC	ZC			F-19-40	7	
15	GRIP, L. RR.	50325-KPP-T00	ZA	ZA	ZA			F-23	3	
16	GRIP, R. RR.	50315-KPP-T00	ZA	ZA	ZA			F-23	2	
17	LID ASSY., L. TANK	64600-KYJ-900	ZF	ZB	-			F-43	28	
18	LID ASSY., L. TANK	64600-KYJ-900	ZF	-	ZE			F-43-1	29	
19	LID ASSY., R. TANK	64500-KYJ-900	ZF	ZB	-			F-43	30	
20	LID ASSY., R. TANK	64500-KYJ-900	ZF	-	ZE			F-43-1	28	
21	MARK	86641-KYJ-E20	ZB	ZA	ZC			F-50	4	
22	MARK, ABS	86611-KYJ-E20	ZD	-	ZB			F-50	3	
23	MARK, HONDA	86101-KYJ-E20	ZD	ZA	ZE			F-50	5	
24	MARK, HONDA	86831-KPP-T00	ZA	ZA	ZA			F-50	6	
25	MARK, L. WING	86202-KYJ-E20	ZE	ZA	ZF			F-50	2	

CBR250RA (CBR250RAD).....IN,MA

No.	MODEL		CBR250RAD						Applicable block No.	Ref. No.
	COLOR		Black	Ross white	Millennium red	Applicable model				
	Name of colored parts	Basic part No.	NH-1	NH-196	R-263	Initial applicable model	Final applicable model			
26	MARK, R. WING	86201-KYJ-E20	ZE	ZA	ZF			F-50	1	
27	PANEL, L. MIDDLE	64380-KYJ-900	ZG	ZA	ZF			F-45	8	
28	PANEL, R. MIDDLE	64370-KYJ-900	ZG	ZA	ZF			F-45	7	
29	SEAT COMP., SINGLE	77100-KYJ-D20	ZB	ZB	ZB			F-23	6	
30	TANK SET, FUEL	17520-KYJ-E20	ZC	ZA	ZD			F-21	8	
31	WHEEL SUB ASSY., FR.	44650-KYJ-910	ZC	ZC	ZC			F-14-40	7	
32	WHEEL SUB ASSY., RR.	42650-KYJ-900	ZC	ZC	ZC			F-19-40	10	

CBR250RA (CBR250RAb).....U

No.	MODEL		CBR250RAD					Applicable block No.	Ref. No.
	COLOR		Black	Millennium red	Applicable model				
	CODE		NH-1	R-263	Initial applicable model	Final applicable model			
	Name of colored parts	Basic part No.	NH1	R263					
1	COVER ASSY., FUEL TANK	64700-KPP-T00	ZJ	ZA			F-21	28	
2	COVER, L. RR.	83680-KPP-T00	ZJ	ZB			F-24	11	
3	COVER, R. RR.	83670-KPP-T00	ZJ	ZB			F-24	10	
4	COWL SET, FR. UPPER	64200-KYJ-E20	ZD	ZE			F-43	3	
5	COWL SET, L. MIDDLE	64400-KYJ-E20	ZB	ZC			F-45	9	
6	COWL SET, R. MIDDLE	64300-KYJ-E20	ZB	ZC			F-45	1	
7	COWL SET, RR. CENTER UPPER	83450-KPP-T00	ZA	ZA			F-24	2	
8	COWL, L. FR. SIDE	64220-KPP-T00	ZB	ZC			F-43	6	
9	COWL, R. FR. SIDE	64210-KPP-T00	ZB	ZC			F-43	4	
10	FENDER SET, FR.	61000-KYJ-E20	ZF	ZE			F-10	4	
11	FLANGE SUB ASSY., RR. DRIVEN	42615-KYJ-900	ZC	ZC			F-19-40	7	
12	GRIP, L. RR.	50325-KPP-T00	ZA	ZA			F-23	3	
13	GRIP, R. RR.	50315-KPP-T00	ZA	ZA			F-23	2	
14	LID ASSY., L. TANK	64600-KYJ-900	ZF	ZE			F-43	28	
15	LID ASSY., R. TANK	64500-KYJ-900	ZF	ZE			F-43	30	
16	MARK	86641-KYJ-E20	ZB	ZC			F-50	4	
17	MARK, ABS	86611-KYJ-E20	ZD	ZB			F-50	3	
18	MARK, HONDA	86101-KYJ-E20	ZD	ZE			F-50	5	
19	MARK, HONDA	86831-KPP-T00	ZA	ZA			F-50	6	
20	MARK, L. WING	86202-KYJ-E20	ZE	ZF			F-50	2	
21	MARK, R. WING	86201-KYJ-E20	ZE	ZF			F-50	1	
22	PANEL, L. MIDDLE	64380-KYJ-900	ZG	ZF			F-45	8	
23	PANEL, R. MIDDLE	64370-KYJ-900	ZG	ZF			F-45	7	
24	SEAT COMP., SINGLE	77100-KYJ-D20	ZB	ZB			F-23	6	
25	TANK SET, FUEL	17520-KYJ-E20	ZC	ZD			F-21	8	
26	WHEEL SUB ASSY., FR.	44650-KYJ-910	ZC	ZC			F-14-40	7	
27	WHEEL SUB ASSY., RR.	42650-KYJ-900	ZC	ZC			F-19-40	10	

Fuel hose, general purpose hoses and vinyl hose

- The standard part fuel hose, general purpose hose and vinyl hose may be substituted by the coiled bulk part.
- When ordering the standard part fuel hose, general purpose hose and vinyl hose use the bulk part number written in the parts catalogue in brackets () underneath the part name, or use the catalogue below.
(The bulk part standard length is 1 m, however, those displayed in the catalogue < > are available in 3 m and 8 m lengths.)
- When exchanging the hose, cut and use at the specified length as mentioned in the part name.
(For the method of cutting the bulk part, and method of filling out orders etc., please refer to the service manual and the instructions issued with the bulk part.)
- The list below is a catalogue of the standard part numbers and bulk part numbers. Note that those numbers are applicable to the listed replacement parts only.

Fuel hoses/Tubes			
Standard part No.	Bulk part No.	Bulk part	
		Inner diameter (mm)	Length (m)
95001-30xxx-2x	95001-30001-20M	3.0	1
95001-30xxx-3x	95001-30001-30M	3.0	1
95001-30xxx-4x	95001-30001-40M	3.0	1
95001-35xxx-2x	95001-35001-50M <95001-35003-50M>	3.5	1 3
95001-35xxx-3x	95001-35001-60M <95001-35003-60M>	3.5	1 3
95001-35xxx-4x	95001-35001-60M <95001-35003-60M>	3.5	1 3
95001-35xxx-5x	95001-35001-50M <95001-35003-50M>	3.5	1 3
95001-35xxx-6x	95001-35001-60M <95001-35003-60M>	3.5	1 3
95001-45xxx-2x	95001-45001-50M <95001-45003-50M>	4.5	1 3
95001-45xxx-3x	95001-45001-60M <95001-45003-60M> <95001-45008-60M>	4.5	1 3 8
95001-45xxx-4x	95001-45001-60M <95001-45003-60M> <95001-45008-60M>	4.5	1 3 8
95001-45xxx-5x	95001-45001-50M <95001-45003-50M>	4.5	1 3
95001-45xxx-6x	95001-45001-60M <95001-45003-60M> <95001-45008-60M>	4.5	1 3 8
95001-55xxx-2x	95001-55001-50M <95001-55003-50M> <95001-55008-50M>	5.5	1 3 8

Fuel hoses/Tubes			
Standard part No.	Bulk part No.	Bulk part	
		Inner diameter (mm)	Length (m)
95001-55xxx-3x	95001-55001-60M <95001-55003-60M> <95001-55008-60M>	5.5	1 3 8
95001-55xxx-4x	95001-55001-60M <95001-55003-60M> <95001-55008-60M>	5.5	1 3 8
95001-55xxx-5x	95001-55001-50M <95001-55003-50M> <95001-55008-50M>	5.5	1 3 8
95001-55xxx-6x	95001-55001-60M <95001-55003-60M> <95001-55008-60M>	5.5	1 3 8
95001-75xxx-2x	95001-75001-50M <95001-75003-50M>	7.5	1 3
95001-75xxx-3x	95001-75001-60M <95001-75003-60M> <95001-75008-60M>	7.5	1 3 8
95001-75xxx-4x	95001-75001-60M <95001-75003-60M> <95001-75008-60M>	7.5	1 3 8
95001-75xxx-5x	95001-75001-50M <95001-75003-50M>	7.5	1 3
95001-75xxx-6x	95001-75001-60M <95001-75003-60M> <95001-75008-60M>	7.5	1 3 8
95001-80xxx-2x	95001-80001-50M	8.0	1
95001-80xxx-3x	95001-80001-60M	8.0	1
95001-80xxx-4x	95001-80001-60M	8.0	1
95001-80xxx-5x	95001-80001-50M	8.0	1
95001-80xxx-6x	95001-80001-60M	8.0	1

Vinyl tube				
Standard part No.	Bulk part No.	Bulk part		
		Inner dia- meter (mm)	Outer dia-meter (mm)	Length (m)
95003-01xxx-3x	95003-01001-60M <95003-01003-60M>	2.9	6.8	1 3
95003-01xxx-60	95003-01001-60M <95003-01003-60M>	2.9	6.8	1 3
95003-03xxx-3x	95003-03001-60M <95003-03003-60M>	3.0	6.0	1 3
95003-03xxx-60	95003-03001-60M <95003-03003-60M>	3.0	6.0	1 3
95003-05xxx-3x	95003-05001-60M <95003-05003-60M> <95003-05008-60M>	3.5	6.5	1 3 8
95003-05xxx-60	95003-05001-60M <95003-05003-60M> <95003-05008-60M>	3.5	6.5	1 3 8
95003-07xxx-1x	95003-07001-10M <95003-07003-10M> <95003-07008-10M>	4.0	7.0	1 3 8
95003-07xxx-20	95003-07001-10M <95003-07003-10M> <95003-07008-10M>	4.0	7.0	1 3 8
95003-07xxx-3x	95003-07001-60M <95003-07003-60M> <95003-07008-60M>	4.0	7.0	1 3 8
95003-07xxx-60	95003-07001-60M <95003-07003-60M> <95003-07008-60M>	4.0	7.0	1 3 8
95003-07xxx-7x	95003-07001-70M <95003-07003-70M> <95003-07008-70M>	4.0	7.0	1 3 8
95003-08xxx-1x	95003-08001-10M <95003-08003-10M> <95003-08008-10M>	4.5	6.5	1 3 8
95003-09xxx-3x	95003-09001-60M <95003-09003-60M>	4.5	8.0	1 3
95003-09xxx-60	95003-09001-60M <95003-09003-60M>	4.5	8.0	1 3
95003-10xxx-1x	95003-10001-10M <95003-10003-10M>	5.0	8.0	1 3
95003-10xxx-20	95003-10001-10M <95003-10003-10M>	5.0	8.0	1 3
95003-10xxx-3x	95003-10001-60M <95003-10003-60M>	5.0	8.0	1 3
95003-10xxx-60	95003-10001-60M <95003-10003-60M>	5.0	8.0	1 3
95003-11xxx-3x	95003-11001-60M <95003-11003-60M> <95003-11008-60M>	5.0	9.0	1 3 8
95003-11xxx-60	95003-11001-60M <95003-11003-60M> <95003-11008-60M>	5.0	9.0	1 3 8
95003-12xxx-1x	95003-12001-10M <95003-12003-10M> <95003-12008-10M>	5.0	7.0	1 3 8
95003-12xxx-20	95003-12001-10M <95003-12003-10M> <95003-12008-10M>	5.0	7.0	1 3 8

Vinyl tube				
Standard part No.	Bulk part No.	Bulk part		
		Inner dia- meter (mm)	Outer dia-meter (mm)	Length (m)
95003-14xxx-1x	95003-14001-10M <95003-14003-10M>	6.0	9.0	1 3
95003-14xxx-20	95003-14001-10M <95003-14003-10M>	6.0	9.0	1 3
95003-14xxx-3x	95003-14001-60M <95003-14003-60M>	6.0	9.0	1 3
95003-17xxx-1x	95003-17001-10M <95003-17003-10M>	7.0	9.0	1 3
95003-19xxx-1x	95003-19001-10M <95003-19003-10M> <95003-19008-10M>	7.0	11.0	1 3 8
95003-19xxx-20	95003-19001-10M <95003-19003-10M> <95003-19008-10M>	7.0	11.0	1 3 8
95003-19xxx-3x	95003-19001-60M <95003-19003-60M> <95003-19008-60M>	7.0	11.0	1 3 8
95003-19xxx-60	95003-19001-60M <95003-19003-60M> <95003-19008-60M>	7.0	11.0	1 3 8
95003-21xxx-1x	95003-21001-10M <95003-21003-10M>	8.0	9.0	1 3
95003-21xxx-20	95003-21001-10M <95003-21003-10M>	8.0	9.0	1 3
95003-23xxx-1x	95003-23001-10M <95003-23003-10M>	8.0	12.0	1 3
95003-23xxx-20	95003-23001-10M <95003-23003-10M>	8.0	12.0	1 3
95003-23xxx-3x	95003-23001-60M <95003-23003-60M> <95003-23008-60M>	8.0	12.0	1 3 8
95003-23xxx-60	95003-23001-60M <95003-23003-60M> <95003-23008-60M>	8.0	12.0	1 3 8
95003-25xxx-1x	95003-25001-10M <95003-25003-10M>	9.0	11.0	1 3
95003-25xxx-20	95003-25001-10M <95003-25003-10M>	9.0	11.0	1 3
95003-25xxx-3x	95003-25001-60M <95003-25003-60M>	9.0	11.0	1 3
95003-25xxx-7x	95003-25001-70M <95003-25003-70M>	9.0	11.0	1 3
95003-27xxx-1x	95003-27001-10M <95003-27003-10M>	9.0	13.0	1 3
95003-27xxx-20	95003-27001-10M <95003-27003-10M>	9.0	13.0	1 3
95003-27xxx-3x	95003-27001-60M <95003-27003-60M>	9.0	13.0	1 3
95003-27xxx-60	95003-27001-60M <95003-27003-60M>	9.0	13.0	1 3
95003-33xxx-1x	95003-33001-10M <95003-33003-10M>	10.0	14.0	1 3
95003-33xxx-20	95003-33001-10M <95003-33003-10M>	10.0	14.0	1 3

Vinyl tube				
Standard part No.	Bulk part No.	Bulk part		
		Inner dia- meter (mm)	Outer dia-meter (mm)	Length (m)
95003-36xxx-1x	95003-36001-10M <95003-36003-10M> <95003-36008-10M>	11.0	13.0	1 3 8
95003-36xxx-20	95003-36001-10M <95003-36003-10M> <95003-36008-10M>	11.0	13.0	1 3 8
95003-37xxx-3x	95003-37001-60M <95003-37003-60M>	11.0	15.0	1 3
95003-37xxx-60	95003-37001-60M <95003-37003-60M>	11.0	15.0	1 3
95003-38xxx-1x	95003-38001-10M <95003-38003-10M>	12.0	13.0	1 3
95003-38xxx-20	95003-38001-10M <95003-38003-10M>	12.0	13.0	1 3
95003-39xxx-1x	95003-39001-10M <95003-39003-10M>	12.0	14.0	1 3
95003-39xxx-20	95003-39001-10M <95003-39003-10M>	12.0	14.0	1 3
95003-40xxx-20	95003-40001-10M <95003-40003-10M>	12.0	16.0	1 3
95003-40xxx-3x	95003-40001-60M <95003-40003-60M>	12.0	16.0	1 3
95003-40xxx-60	95003-40001-60M <95003-40003-60M>	12.0	16.0	1 3
95003-43xxx-1x	95003-43001-10M <95003-43003-10M> <95003-43008-10M>	13.0	15.0	1 3 8
95003-43xxx-20	95003-43001-10M <95003-43003-10M> <95003-43008-10M>	13.0	15.0	1 3 8
95003-45xxx-1x	95003-45001-10M <95003-45003-10M> <95003-45008-10M>	14.0	18.0	1 3 8
95003-45xxx-20	95003-45001-10M <95003-45003-10M> <95003-45008-10M>	14.0	18.0	1 3 8
95003-50xxx-1x	95003-50001-10M <95003-50003-10M>	16.0	19.0	1 3
95003-50xxx-20	95003-50001-10M <95003-50003-10M>	16.0	19.0	1 3
95003-50xxx-3x	95003-50001-60M <95003-50003-60M>	16.0	19.0	1 3
95003-55xxx-1x	95003-55001-10M <95003-55003-10M>	17.5	20.5	1 3
95003-55xxx-20	95003-55001-10M <95003-55003-10M>	17.5	20.5	1 3
95003-60xxx-1x	95003-60001-10M <95003-60003-10M>	22.0	27.0	1 3
95003-60xxx-20	95003-60001-10M <95003-60003-10M>	22.0	27.0	1 3
95003-60xxx-3x	95003-60001-60M <95003-60003-60M>	22.0	27.0	1 3
95003-60xxx-60	95003-60001-60M <95003-60003-60M>	22.0	27.0	1 3

General purpose hoses			
Standard part No.	Bulk part No.	Bulk part	
		Inner diameter (mm)	Length (m)
95005-11xxx-3x	95005-11001-30M	11.0	1
95005-11xxx-5x	95005-11001-50M	11.0	1
95005-12xxx-1x	95005-12001-10M <95005-12003-10M>	12.0	1 3
95005-12xxx-2x	95005-12001-20M	12.0	1
95005-12xxx-3x	95005-12001-30M	12.0	1
95005-12xxx-5x	95005-12001-50M	12.0	1
95005-14xxx-1x	95005-14001-10M	14.0	1
95005-14xxx-2x	95005-14001-20M <95005-14003-20M>	14.0	1 3
95005-14xxx-3x	95005-14001-30M	14.0	1
95005-14xxx-5x	95005-14001-50M	14.0	1
95005-17xxx-1x	95005-17001-10M	17.0	1
95005-17xxx-2x	95005-17001-20M	17.0	1
95005-17xxx-3x	95005-17001-30M	17.0	1
95005-17xxx-5x	95005-17001-50M	17.0	1
95005-30xxx-3x	95005-30001-30M	3.0	1
95005-30xxx-5x	95005-30001-50M	3.0	1
95005-35xxx-1x	95005-35001-10M <95005-35003-10M> <95005-35008-10M>	3.5	1 3 8
95005-35xxx-2x	95005-35001-20M	3.5	1
95005-35xxx-3x	95005-35001-30M	3.5	1
95005-35xxx-4x	95005-35001-10M <95005-35003-10M> <95005-35008-10M>	3.5	1 3 8
95005-35xxx-5x	95005-35001-50M	3.5	1
95005-45xxx-1x	95005-45001-10M <95005-45003-10M> <95005-45008-10M>	4.5	1 3 8
95005-45xxx-2x	95005-45001-20M	4.5	1
95005-45xxx-3x	95005-45001-30M	4.5	1

General purpose hoses			
Standard part No.	Bulk part No.	Bulk part	
		Inner diameter (mm)	Length (m)
95005-45xxx-4x	95005-45001-10M <95005-45003-10M> <95005-45008-10M>	4.5	1 3 8
95005-45xxx-5x	95005-45001-50M	4.5	1
95005-50xxx-3x	95005-50001-30M <95005-50003-30M>	5.0	1 3
95005-50xxx-5x	95005-50001-50M	5.0	1
95005-55xxx-1x	95005-55001-10M <95005-55003-10M> <95005-55008-10M>	5.3	1 3 8
95005-55xxx-2x	95005-55001-20M <95005-55003-20M>	5.3	1 3
95005-55xxx-4x	95005-55001-10M <95005-55003-10M> <95005-55008-10M>	5.3	1 3 8
95005-65xxx-1x	95005-65001-10M <95005-65003-10M>	6.5	1 3
95005-65xxx-2x	95005-65001-20M	6.5	1
95005-70xxx-3x	95005-70001-30M <95005-70003-30M>	7.0	1 3
95005-70xxx-5x	95005-70001-50M	7.0	1
95005-75xxx-1x	95005-75001-10M <95005-75003-10M>	7.3	1 3
95005-75xxx-2x	95005-75001-20M	7.3	1
95005-80xxx-1x	95005-80001-10M <95005-80003-10M>	8.0	1 3
95005-80xxx-2x	95005-80001-20M	8.0	1
95005-80xxx-3x	95005-80001-30M	8.0	1
95005-80xxx-5x	95005-80001-50M	8.0	1
95005-91xxx-3x	95005-91001-30M	12.0	1
95005-91xxx-5x	95005-91001-50M	12.0	1
95005-92xxx-3x	95005-92001-30M	12.0	1
95005-92xxx-5x	95005-92001-50M	12.0	1

NOTE: X is displayed to represent the omitted numerals and letters of the roman alphabet.

⊙ **CAUTION: It is DANGEROUS to confuse the fuel hose with the general purpose hose or vinyl hose.**

Never use a general purpose hose or vinyl hose in place of a fuel hose or vice versa. Always use the correct bulk part in the parts catalogue, according to the service manual or the instructions issued with the bulk part.

• Bulk part number of fuel hose, general purpose hose and vinyl hose.

(Example)

9 5 0 0 1 - 7 5 0 0 1 - 5 0 M

Bulk part number: Refers to the bulk part.

Marking code (hose type): (fuel hose and general purpose hose)

Change code (for added hose): (Vinyl hose)

- Indicates number mark or change sequence, however, the code for the bulk part must be strictly 0 (zero).

Types of code:

- Fuel hose
 - 2: Red outside braid (3 mm inside dia. only)
 - 5: Black inside braid
 - 3: Red (3 mm inside dia. only)
 - 4: Ash gray with red stripe (3 mm inside dia. only)
 - 6: Black
- Vinyl hose
 - 1: Clear
 - 2: Black
 - 3: Light red
 - 6: Light red
 - 7: Pale black
- General hose
 - 1: Ash gray
 - 2: Ash gray
 - 3: Black
 - 5: Black

Lengths: 001: 1 m (standard)
003: 3 m
008: 8 m

I.D code: (fuel hose and general purpose hose)

- 30: 3.0 mm
- 35: 3.5 mm
- 45: 4.5 mm
- 50: 5.0 mm
- 55: 5.3 mm, 5.5 mm
- 65: 6.5 mm
- 70: 7.0 mm
- 75: 7.3 mm, 7.5 mm
- 80: 8.0 mm
- 11: 11 mm
- 91: 12 mm (outside dia. 15) mm
- 92: 12 mm (outside dia. 16) mm
- 12: 12 mm (outside dia. 17) mm
- 14: 14 mm
- 17: 17 mm

ID./OD. code: (vinyl hose)

- 01: ID. 2.9, OD. 6.8 mm
- 03: ID. 3.0, OD. 6.0 mm
- 05: ID. 3.5, OD. 6.5 mm
- 07: ID. 4.0, OD. 7.0 mm
- 08: ID. 4.5, OD. 6.5 mm
- 09: ID. 4.5, OD. 8.0 mm
- 12: ID. 5.0, OD. 7.0 mm
- 10: ID. 5.0, OD. 8.0 mm
- 11: ID. 5.0, OD. 9.0 mm
- 14: ID. 6.0, OD. 9.0 mm
- 17: ID. 7.0, OD. 9.0 mm
- 19: ID. 7.0, OD. 11.0 mm
- 21: ID. 8.0, OD. 9.0 mm
- 23: ID. 8.0, OD. 12.0 mm
- 25: ID. 9.0, OD. 11.0 mm
- 27: ID. 9.0, OD. 13.0 mm
- 33: ID. 10.0, OD. 14.0 mm
- 36: ID. 11.0, OD. 13.0 mm
- 37: ID. 11.0, OD. 15.0 mm
- 38: ID. 12.0, OD. 13.0 mm
- 39: ID. 12.0, OD. 14.0 mm
- 40: ID. 12.0, OD. 16.0 mm
- 43: ID. 13.0, OD. 15.0 mm
- 45: ID. 14.0, OD. 18.0 mm
- 50: ID. 16.0, OD. 19.0 mm
- 55: ID. 17.5, OD. 20.5 mm
- 60: ID. 22.0, OD. 27.0 mm

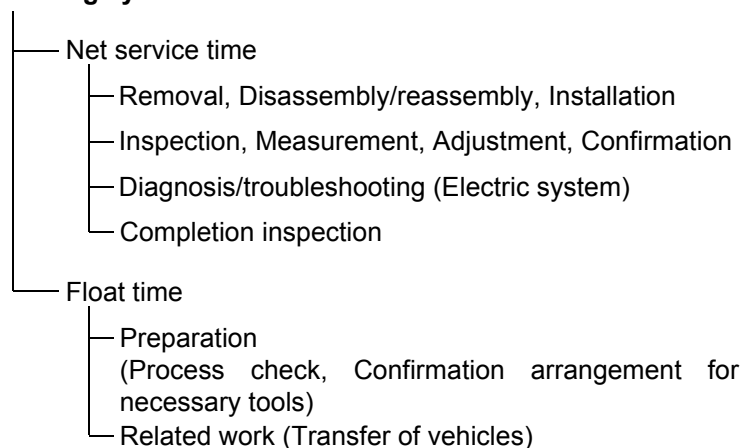
Hose type: 1: Fuel hose
3: Vinyl hose
5: General hose



FLAT RATE SERVICE TIME

Flat rate service time (FRT) means the standard time required to service a MC, which is listed in this manual to help the dealers control the actual working process and calculate the service charge by using it as a guide.

FRT setting system



* Float time is set by multiplying the net service time by a given coefficient.

Editorial style

The service items shown in the text are listed with the exchange work time for the repair sales parts as the subject. Other representative service items not using repair parts (removal/installation, adjustment, inspection/measuring, and other work) are listed collectively in the list in the preface, classified according to the work.

FRT setting standard

- Decimal system (in unit of 0.1) is adopted to set FRT as it is convenient to calculate the wage.
Example: (0.1) → 6 minutes, (0.2) → 12 minutes
[Labor cost per hour] x [FRT] = [Wage]
- FRT is set with a hand tool.
- Service items and FRT can be subject to change depending on development of tools and service equipment and improvement in service procedure.

Work procedure

- As the work procedure is set with the work time according to the method in the separate Service Manual, refer to this Manual as required.
- Work methods permitting servicing in the shortest time still permitting assurance of safe work and product warranty are used for the setting of service items not listed in the Service Manual.
- Work basically is to be performed by one person, and when two or more people are required, setting is done as the total time for the number of people.
- The set value for the technological level of the workers uses a person with three years of experience in the repair of Honda vehicles as the standard.
- Special tools and service equipment used to set FRT are those specified or recommended in Service Manual.

Service item whose FRT is not presented

- Accessories and service parts that are not listed to use in this manual.
 - Locations with little aging deterioration or breakage during normal use.
 - Service work that can be finished by one touch.
 - Service work that is seldom done (i.e. extremely small causes of trouble and service frequency).
- * When FRT is not presented, please calculate wages based on appropriate actual work time

Operation not included of FRT

- Oil and coolant water draining, Waiting time for warming up operation and etc..
- Additional operation that involves removal/installation of standard exterior equipment.
- Indirect time spent for service by visiting the customer, trade-in, and delivery of a MC.
- Indirect time required for ordering and delivery of parts.
- Cost for grease, adhesive agent, etc. used for service work.

**Explanation of FRT by using an example
(The example may differ from the actual presented items)**

Ref. No.	L.O.N.	(Relative ref. Number) Description	F.R.T.
① ②	111118	(1, 3, 4, 7) CAMSHAFT 4.5	②
③	111118A	⑥ • Includes: Valve clearance adjustment Replace rocker arm add 1.0	⑤

- ① Reference No. of the illustration of part that shows location of the replacement work.
- ② FRT is an abbreviation of Flat Rate Time indicating the standard service time required for the replacement.
- ③ LON is an abbreviation of Labor Operation Number, and it is a classification of the service items by the work unit code.

The same operation code is used regardless of the models.

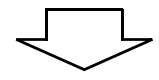
Standard operation is indicated with 6 digits code, and additional operation is indicated with 7 digits code.
- ④ Indicating the camshaft replacement and FRT4.5.
- ⑤ Indicating FRT1.0 that will be added when additional operation (replace rocker arm) is done in association with camshaft replacement.

- ⑥ Indicating work contents that are included in the service item.
- ⑦ Indicating a reference No. whose operation and time are the same as FRT4.5 for the camshaft.

(The application range is limited to the service items without an LON setting within a same block.)

**How to refer to the service item by using the sample
(camshaft replacement)**

Open to the page of the block where the camshaft's spare part illustration is shown.



Look for the camshaft illustration, and refer to the service item and FRT that agree with the reference No.

Indication mark for the listing of service items that continues to the following page

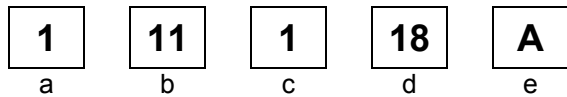
Ref. No.	L.O.N.	(Relative ref. Number) Description	F.R.T.
2	111118	CAMSHAFT	4.5
	.	.	.
	.	.	.

+
Mark indicated at the last line.

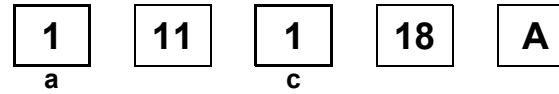
Indication of the block with no setting of FRT

Ref. No.	L.O.N.	(Relative ref. Number) Description	F.R.T.
NO INFORMATION			

• LON code system



- a) Category code..... Engine
- b) Location/function code Engine upper
- c) Operation code..... Replace
- d) Operation sequence number (Unit code can be shown with alphabet) camshaft (No regular rule of code)
- e) Additional code replace rocker arm (No regular rule of code)



a) Category codes and classification

Code	Category
1	Engine
2	Transmission
3	Fuel & Exhaust
4	Frame & Body
5	Steering/Suspension
6	Electrical
7	Wheels/Brakes
8	Controls/instrument
9	-
0	-

c) Operation codes and classification

Code	Operation category
1	Replace, Removal/Installation, Change
2	Overhaul
3	Adjust, Balance
4	(Paint-related work: Top-coat)
5	Test, Inspect/diagnose, Measurement, Check
6	(Overhaul-related work: Rebore)
7	(Overhaul-related work: Reseal)
8	(Resurface)
9	(Paint-related work: Refinish)
0	Repair, Cleaning, Air bleeding

Major service items without using spare parts

- (1) Removal/Installation, (2) Adjustment,
(3) Inspection/Measurement, (5) Other work

[E: Engine, F: Frame]

1

* OPERATIONS OTHER THAN REPLACING PARTS

(1) Removal and installation

Set for the configuration with the parts removed from the vehicle.

	LON	DESCRIPTION	FRT
E	1101E5	TILTING ENGINE ASSEMBLY-REMOVAL/INSTALLATION INCLUDES: All necessary adjustment	3.0
	1111K0	CYLINDER HEAD ASSEMBLY-REMOVAL/INSTALLATION INCLUDES: Engine removal and installation	3.6
	3111D5	THROTTLE BODY ASSEMBLY-REMOVAL/INSTALLATION	1.2
	1101E6	CRANKCASE SEPARATION INCLUDES: Engine removal and installation	5.3
F	1151E6	RADIATOR ASSEMBLY-REMOVAL/INSTALLATION	0.8

(2) Adjustment

	LON	DESCRIPTION	FRT
E	2123A0	CLUTCH-ADJUSTMENT INCLUDES: Clutch lever adjustment	0.1
	1113A0	VALVE CLEARANCE-ADJUSTMENT NOTE: For 1 vehicle	1.2
F	6163A0	HEADLIGHT-AIMING	0.1
	2133A0	DRIVE CHAIN-ADJUSTMENT	0.1
	7103A1	FRONT WHEEL-BALANCE	0.6
	7103A2	REAR WHEEL-BALANCE	0.7
	3113A3	THROTTLE OPERATION-ADJUSTMENT	0.1

(3) Inspection, Measurement

	LON	DESCRIPTION	FRT
E	1115A0	COMPRESSION PRESSURE-MEASUREMENT	0.6
	6145A0	IGNITION TIMING-INSPECTION	0.2
F	6105A0	BATTERY-CHECKING OF ELECTROLYTE LEVEL & CHARGE	0.2

(5) Other work

	LON	DESCRIPTION	FRT
E	1130A1	OIL FILTER SCREEN-CLEANING	0.9
F	7110A0	FRONT BRAKE-AIR BLEEDING	0.2
	7110A1	REAR BRAKE-AIR BLEEDING	0.2
	7110A1B	ABS add	0.1
	1151E7	RADIATOR COOLANT-CHANGE	0.5

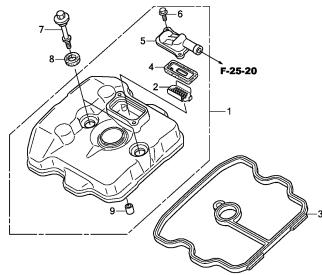
ENGINE GROUP

E15

E-1

CYLINDER HEAD COVER

G 1

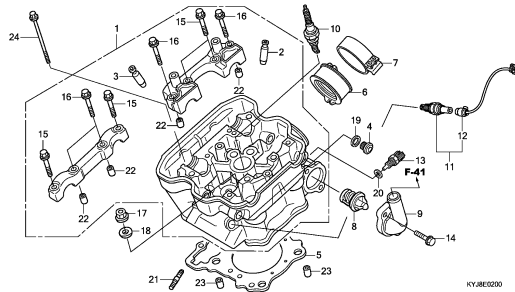


KY.RE0100

E-2

CYLINDER HEAD

G 2

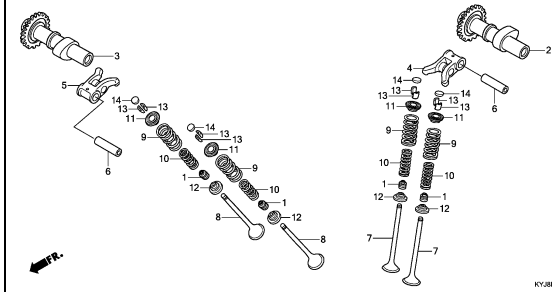


KY.RE0200

E-3

CAMSHAFT/VALVE

G 4

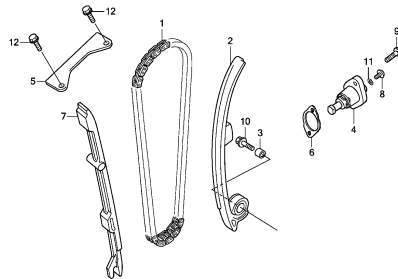


KY.RE0300

E-4

CAM CHAIN/TENSIONER

G 7

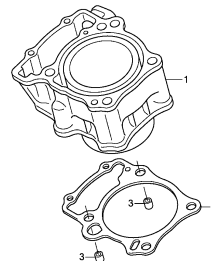


KY.RE0400

E-5

CYLINDER

G 8

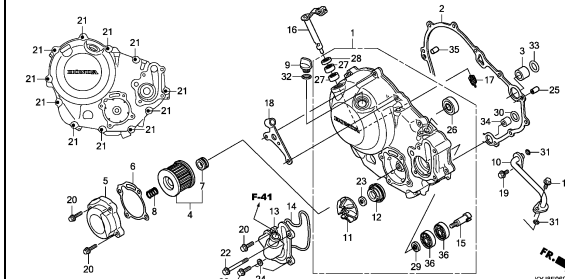


KY.RE0500

E-6

RIGHT CRANKCASE COVER

G 9

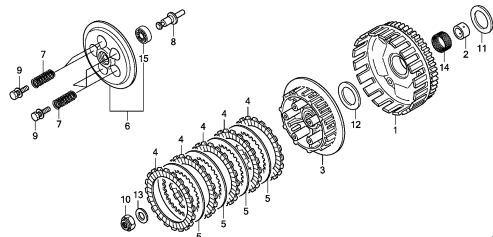


KY.RE0600A

E-8

CLUTCH

G11

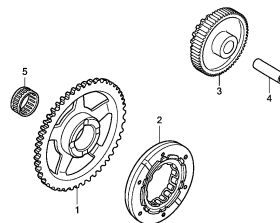


KY.RE0800

E-9

STARTING CLUTCH

G12

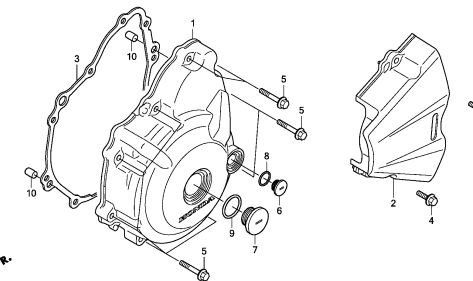


KY.RE0900

E-10

LEFT CRANKCASE COVER

G13



KY.RE1000

2

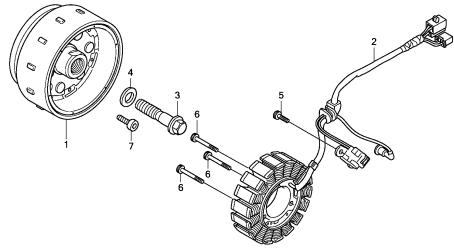
ENGINE GROUP

E16

E-11

GENERATOR

G14

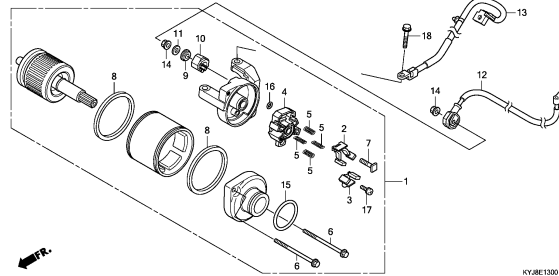


KY.BE1100

E-13

STARTING MOTOR

G15

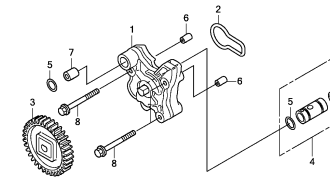


KY.BE1300

E-14

OIL PUMP

G16

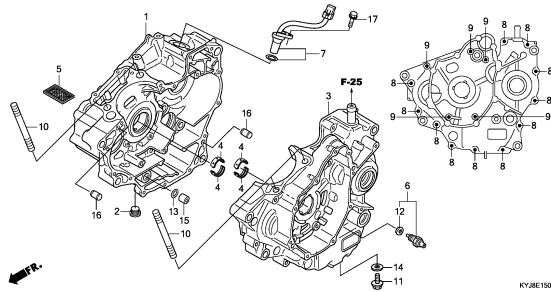


KY.BE1400A

E-15

CRANKCASE

H 1

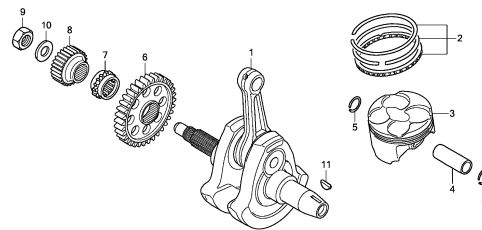


KY.BE1500

E-16

CRANKSHAFT/PISTON

H 3

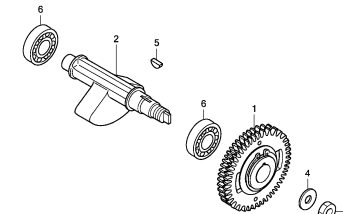


KY.BE1600

E-16-10

BALANCER SHAFT

H 4

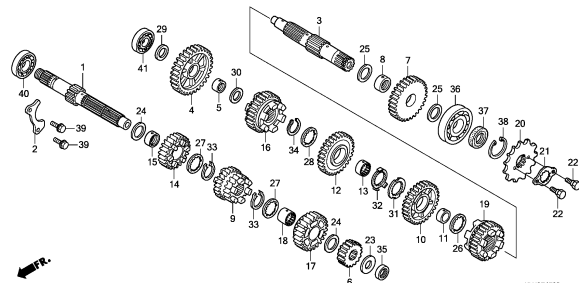


KY.BE1610

E-17

TRANSMISSION

H 5

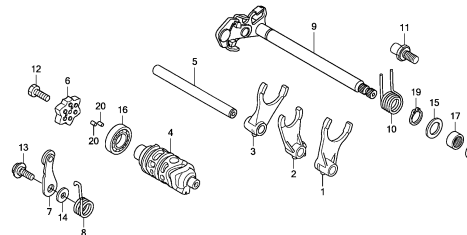


KY.BE1700

E-19

GEARSHIFT DRUM

H 7

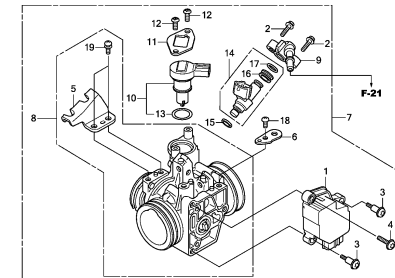


KY.BE1900

E-23

THROTTLE BODY

H 8



KY.BE2300

2

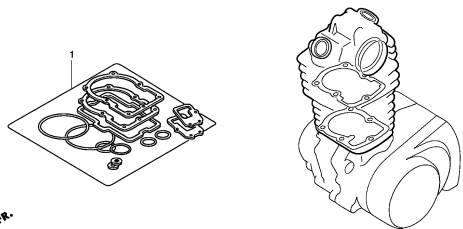
ENGINE GROUP

F 1

EOP-1

GASKET KIT A

H 9

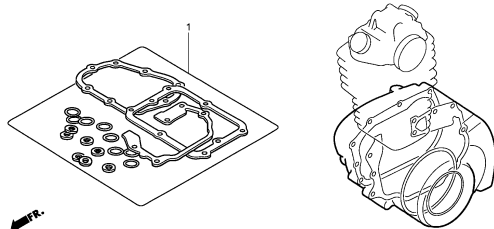


KY.8X0100

EOP-2

GASKET KIT B

H10



KY.8X0200

2

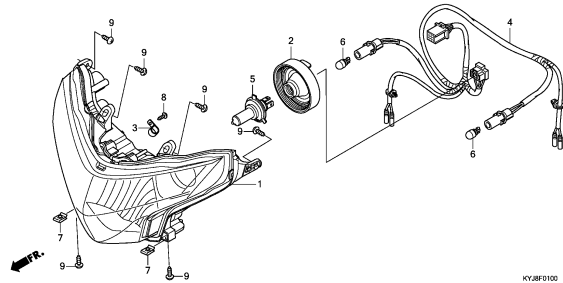
FRAME GROUP

F 2

F-1

HEADLIGHT

I 1

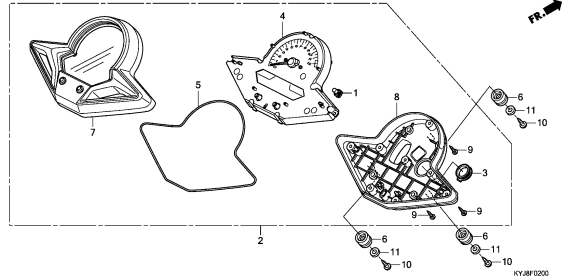


KY.BF0100

F-2

METER

I 2

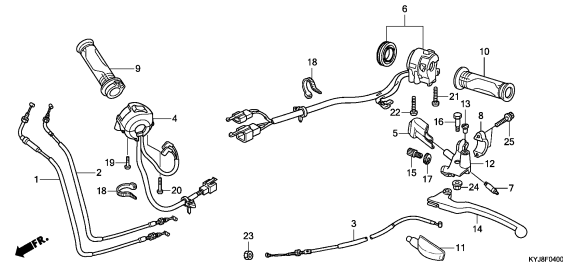


KY.BF0200

F-4

HANDLE LEVER/SWITCH/CABLE

I 3

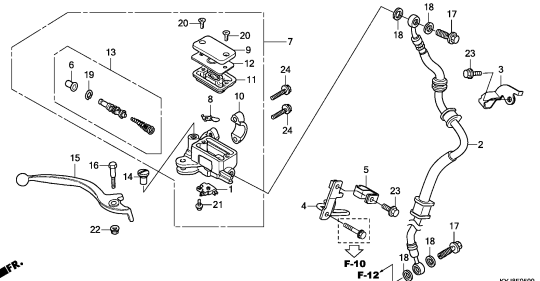


KY.BF0400

F-5

FRONT BRAKE MASTER CYLINDER (CBR250R)

I 5

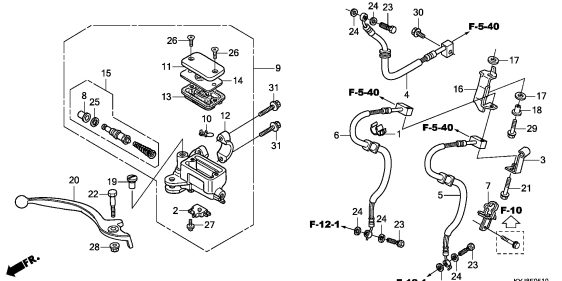


KY.BF0500

F-5-10

FRONT BRAKE MASTER CYLINDER (CBR250RA)

I 7

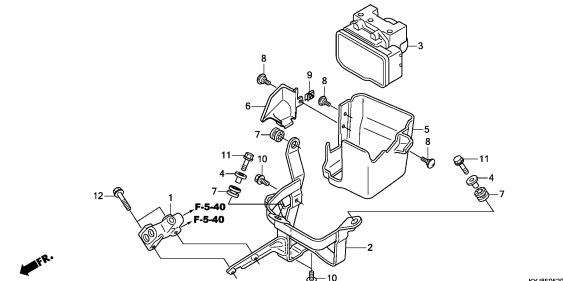


KY.BF0510

F-5-20

ABS MODULATOR

I 9

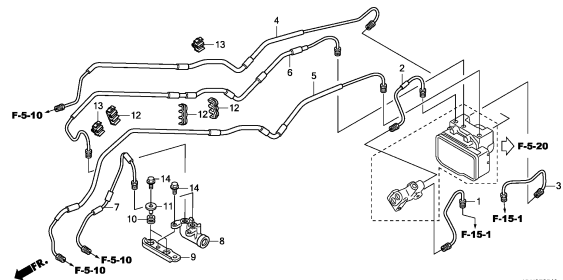


KY.BF0620

F-5-40

BRAKE PIPE

I 10

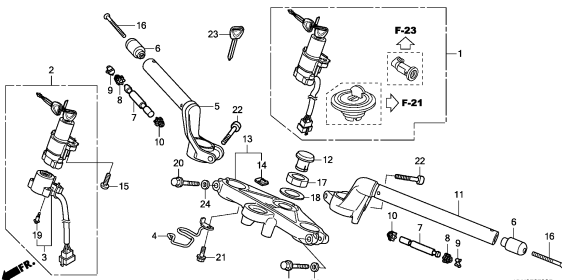


KY.BF0540

F-7

HANDLE PIPE/TOP BRIDGE

I 11

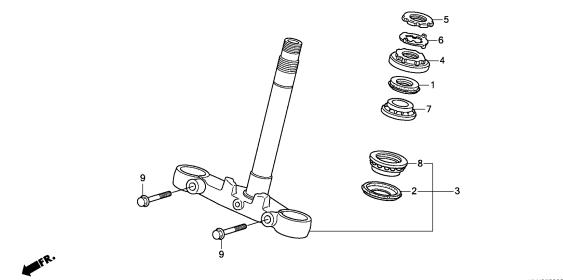


KY.BF0700

F-9

STEERING STEM

I 13



KY.BF0900

3

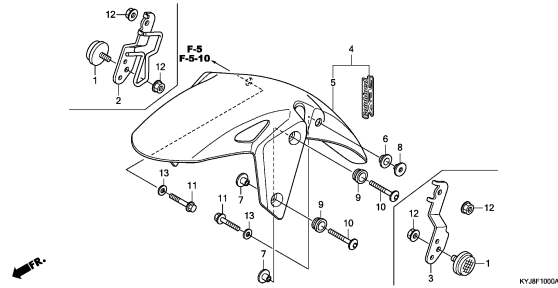
FRAME GROUP

F 3

F-10

FRONT FENDER

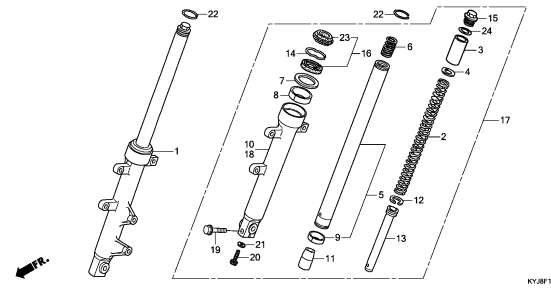
I14



F-11

FRONT FORK

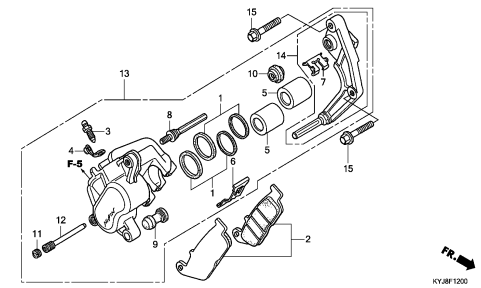
I16



F-12

FRONT BRAKE CALIPER(CBR250R)

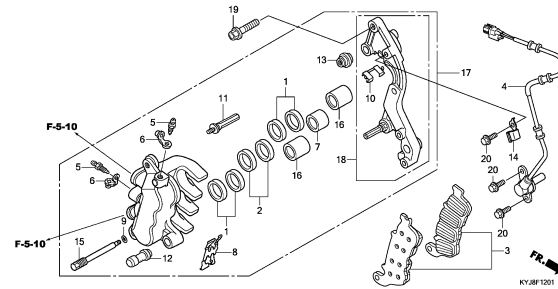
J 2



F-12-1

FRONT BRAKE CALIPER(CBR250RA)

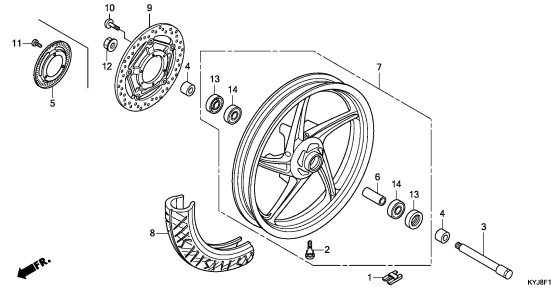
J 3



F-14-40

FRONT WHEEL

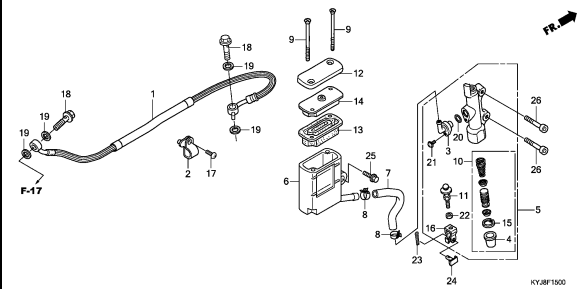
J 4



F-15

REAR BRAKE MASTER CYLINDER (CBR250R)

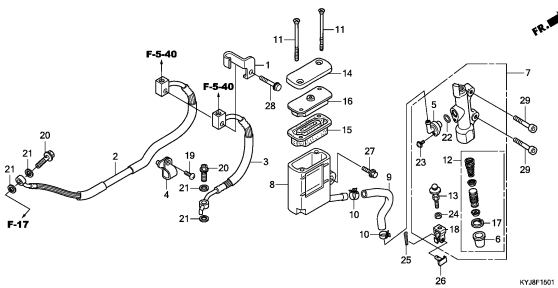
J 5



F-15-1

REAR BRAKE MASTER CYLINDER (CBR250RA)

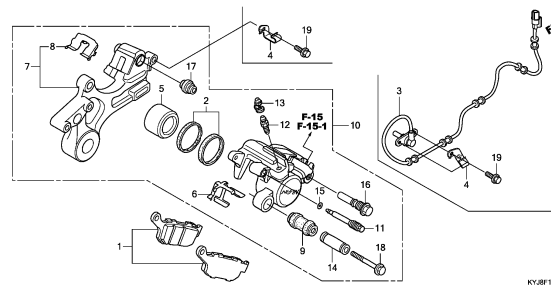
J 7



F-17

REAR BRAKE CALIPER

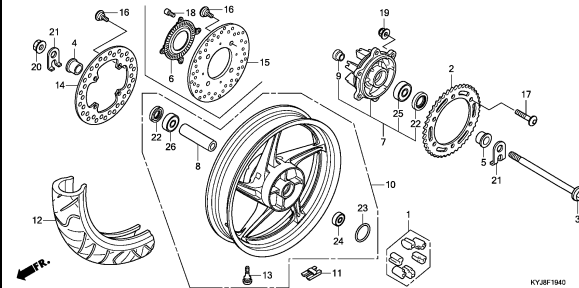
J 9



F-19-40

REAR WHEEL

J10



3

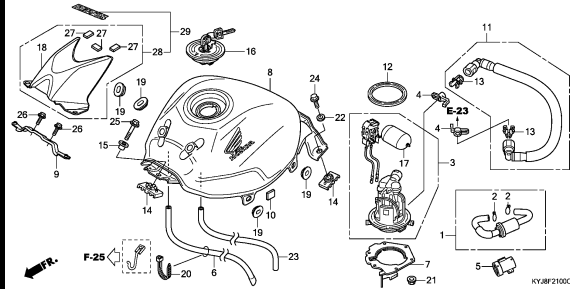
FRAME GROUP

F 4

F-21

FUEL TANK

J12

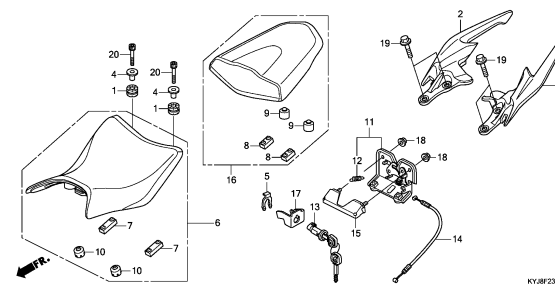


KY.BF2100C

F-23

SEAT

J15

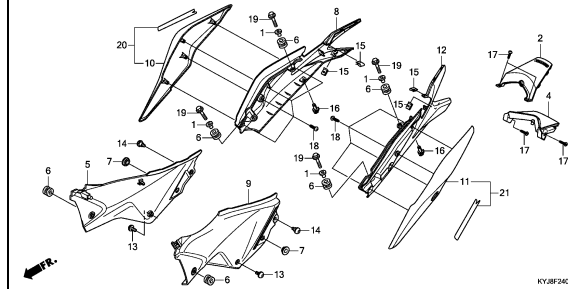


KY.BF2300

F-24

SIDE COVER/REAR COWL

K 1

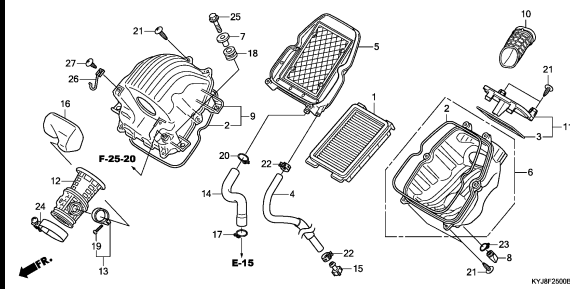


KY.BF2400A

F-25

AIR CLEANER

K 3

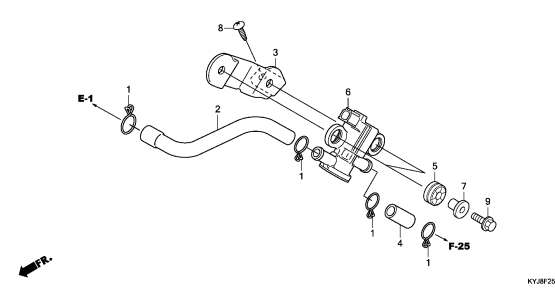


KY.BF2500B

F-25-20

AIR INJECTION SOLENOID VALVE

K 5

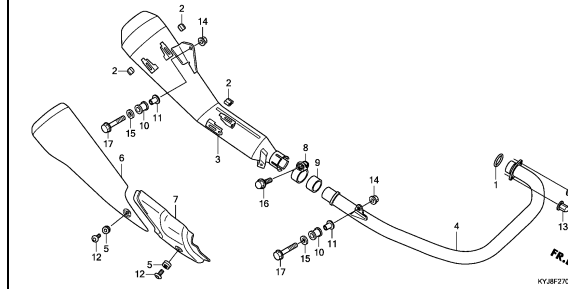


KY.BF2520

F-27

EXHAUST MUFFLER

K 6

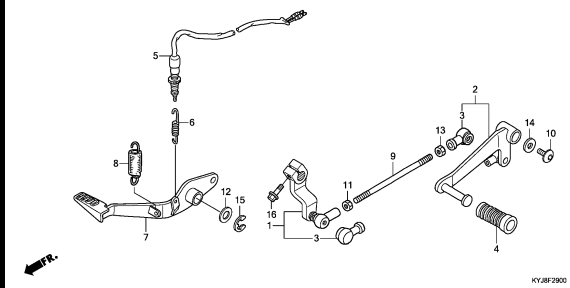


KY.BF2700A

F-29

PEDAL

K 7

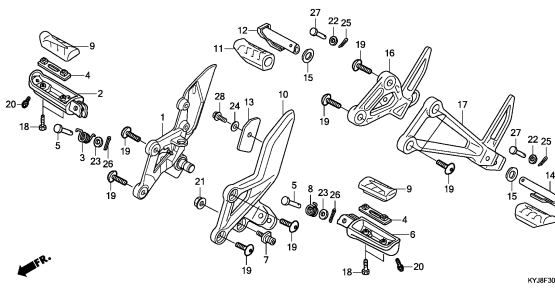


KY.BF2900

F-30

STEP

K 8

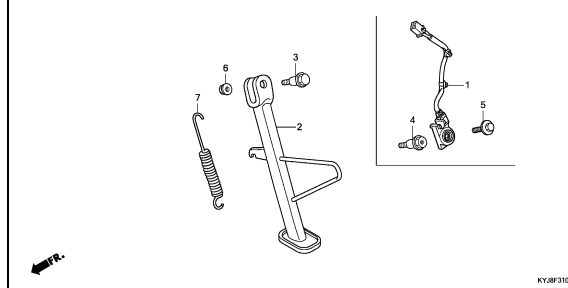


KY.BF3000

F-31

STAND

K10



KY.BF3100

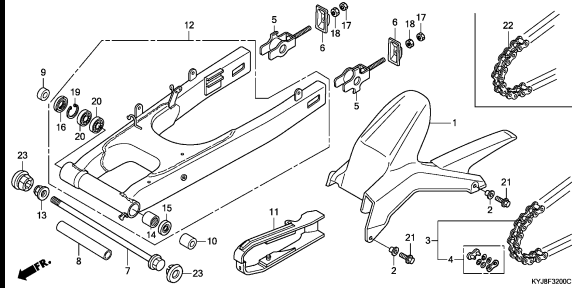
FRAME GROUP

F 5

F-32

SWINGARM

K11

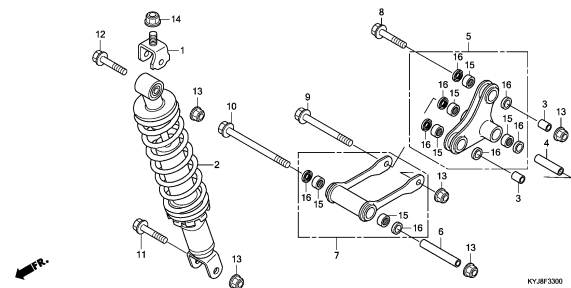


KY-8F3200C

F-33

REAR CUSHION

K13

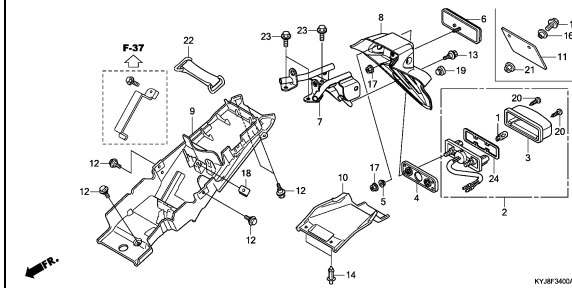


KY-8F3300

F-34

REAR FENDER

K14

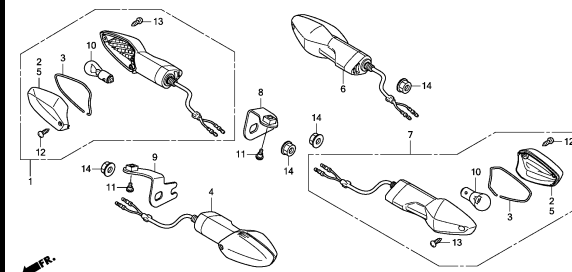


KY-8F3400A

F-35

WINKER

K15

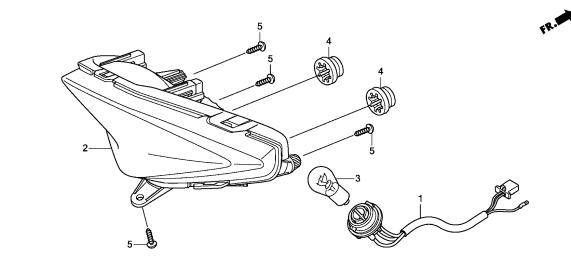


KY-8F3500

F-36

TAILLIGHT

K16

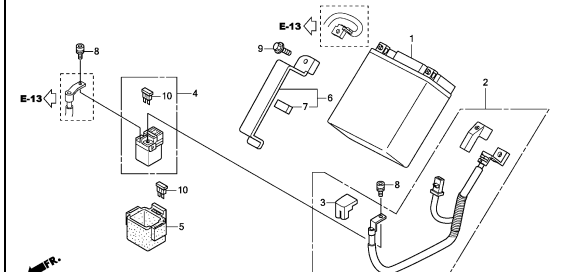


KY-8F3600

F-37

BATTERY

L 1

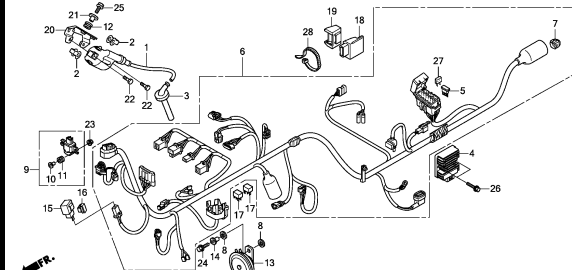


KY-8F3700

F-38

WIRE HARNESS(CBR250R)

L 2

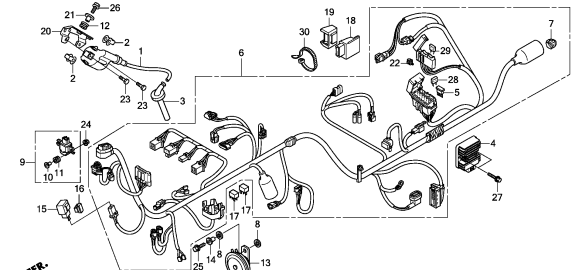


KY-8F3800A

F-38-1

WIRE HARNESS(CBR250RA)

L 4

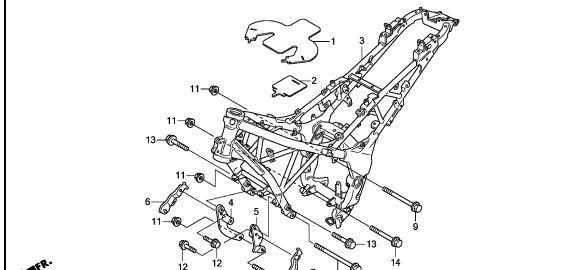


KY-8F3801A

F-39

FRAME BODY

L 6



KY-8F3900

3

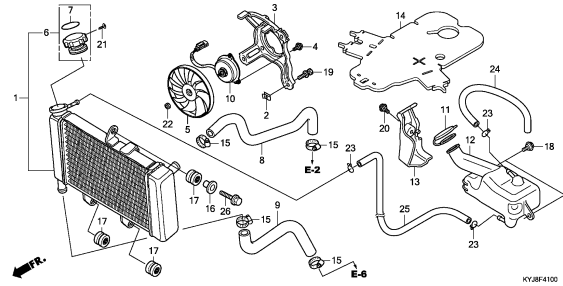
FRAME GROUP

F 6

F-41

RADIATOR

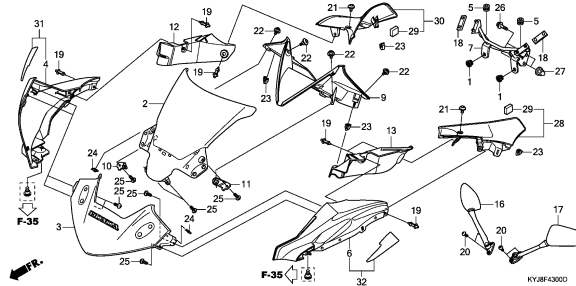
L 7



F-43

UPPER COWL(1)

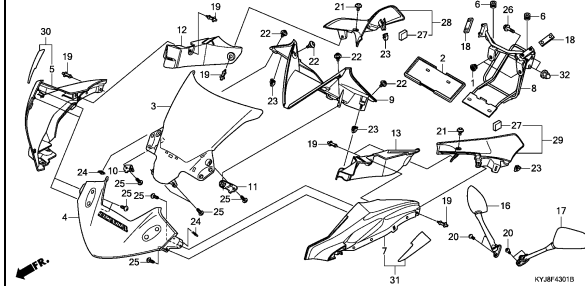
L 9



F-43-1

UPPER COWL(2)

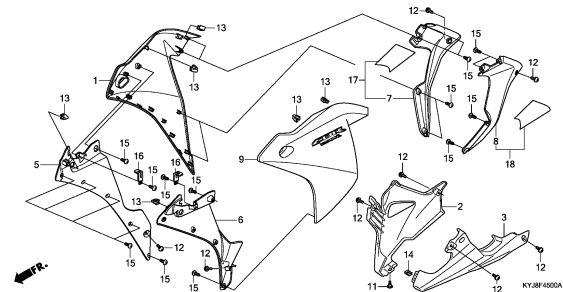
L12



F-45

MIDDLE COWL/UNDER COWL

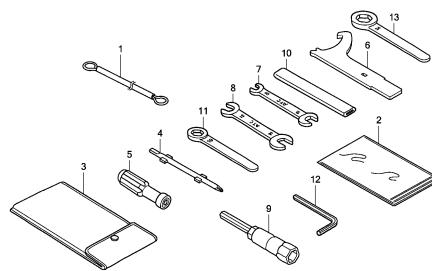
L15



F-48

TOOLS

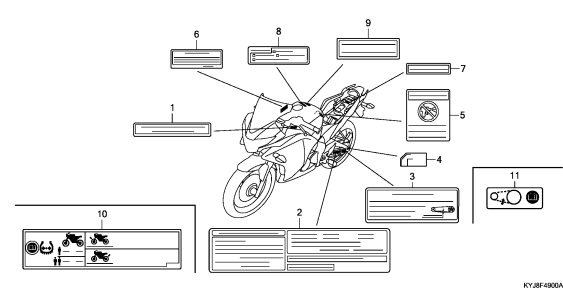
M 1



F-49

CAUTION LABEL(1)

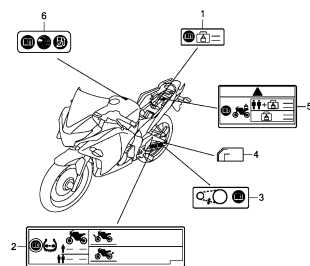
M 2



F-49-1

CAUTION LABEL(2)

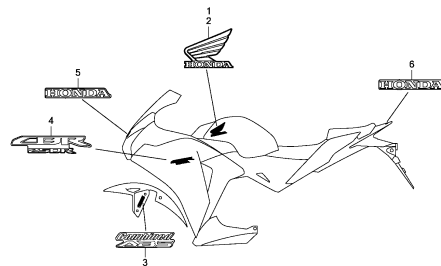
M 3



F-50

MARK/STRIPE(1)

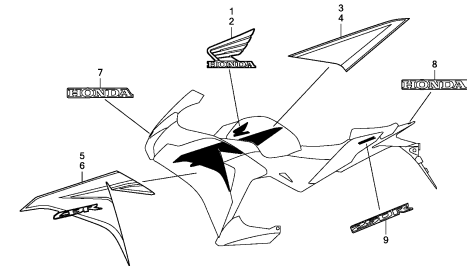
M 4



F-50-1

MARK/STRIPE(2)

M 6



3

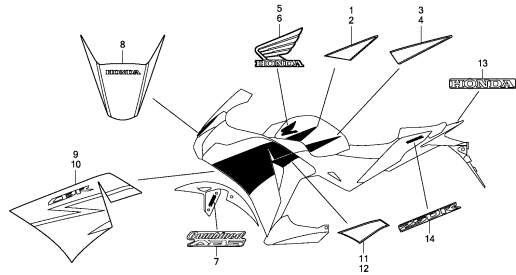
FRAME GROUP

F 7

F-50-2

MARK/STRIPE(3)

M 7

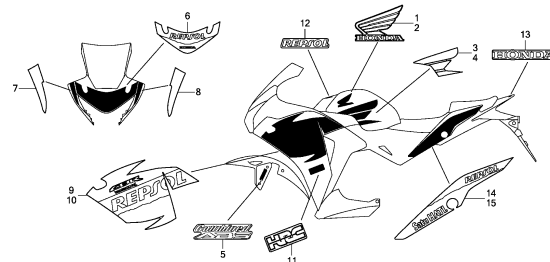


KY-BF5002

F-50-3

MARK/STRIPE(4)

M 8

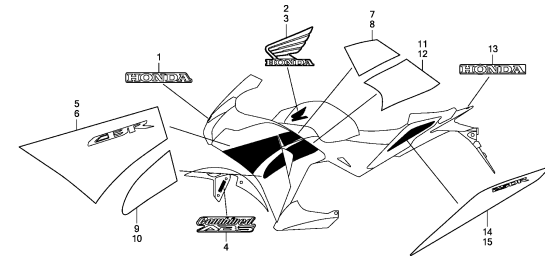


KY-BF5003

F-50-4

MARK/STRIPE(5)

M10

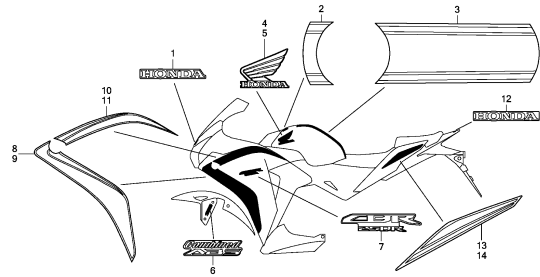


KY-BF5004

F-50-5

MARK/STRIPE(6)

M12



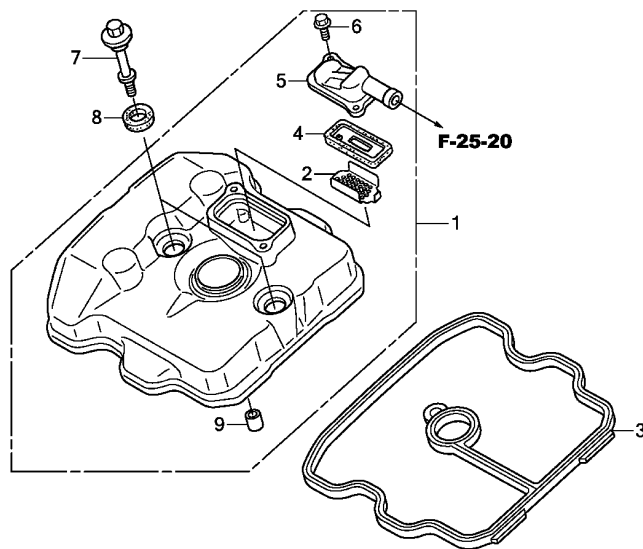
KY-BF5005

3

E-1

CYLINDER HEAD COVER

G 1

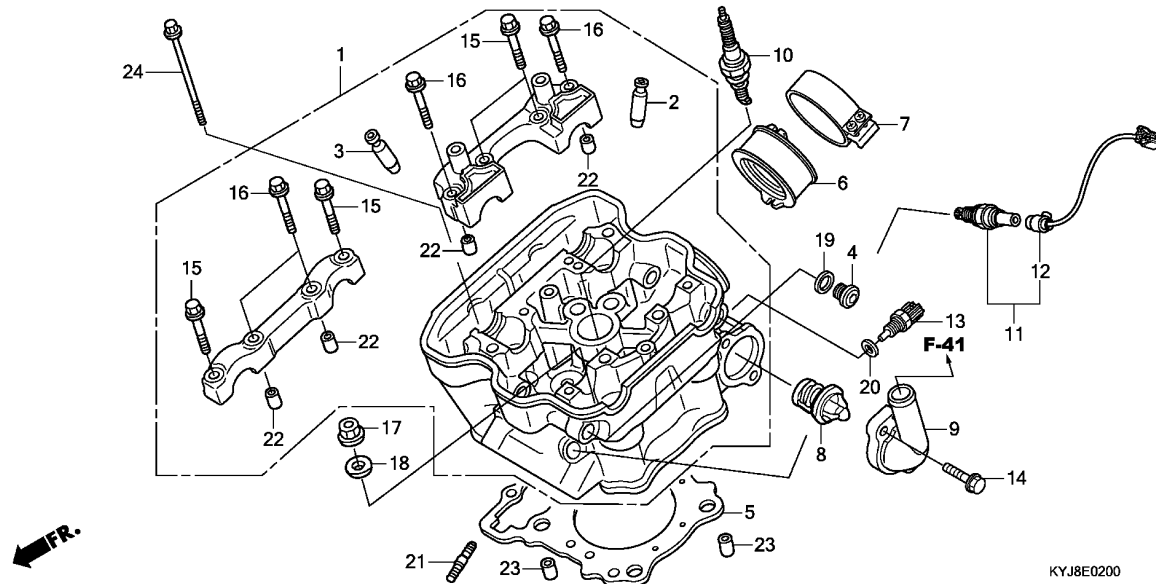


Ref. No.	L.O.N.	(Relative ref. Number) Description	F.R.T.
1	1111C4	COVER, CYLINDER HEAD	0.8
3	1111D2	GASKET, CYLINDER HEAD COVER ..	0.8
4		(2)	
	314125	VALVE, PAIR CHECK	0.6

KYJ8E0100

Ref. No.	Part No.	Description	Reqd. QTY						Serial No.	Parts catalogue code
			CBR250R			CBR250RA				
			B	C	D	B	C	D		
1	12300-KYJ-900	COVER ASSY., CYLINDER HEAD ..	1	1	1	1	1	1		
2	12341-MAT-750	PLATE, PORT(AI)	1	1	1	1	1	1		
3	12391-KYJ-901	GASKET COMP., CYLINDER HEAD COVER	1	1	1	1	1	1		
4	18601-KEA-741	VALVE COMP., REED(ARAI)	1	1	1	1	1	1		
5	18612-KYJ-900	COVER, REED VALVE	1	1	1	1	1	1		
6	90002-KGH-900	BOLT, FLANGE, 5X14	2	2	2	2	2	2		
7	90018-KYJ-900	BOLT, HEAD COVER	2	2	2	2	2	2		
8	90543-MV9-670	RUBBER, MOUNTING	2	2	2	2	2	2		
9	94301-10160	DOWEL PIN, 10X16	1	1	1	1	1	1		

2



Ref. No.	L.O.N.	(Relative ref. Number) Description	F.R.T.
1	111106	HEAD, CYLINDERINCLUDES: Engine removal and installation .INCLUDES: Valve adjust and reface	4.9
2	1111L9	GUIDE, INTAKE VALVE(ONE)INCLUDES: Engine removal and installation .INCLUDES: Reaming .INCLUDES: Valve adjust and reface	4.5
	1111L9A	.Replace all intake valve guide add	0.3
3	1111M0	GUIDE, EXHAUST VALVE(ONE)INCLUDES: Engine removal and installation .INCLUDES: Reaming .INCLUDES: Valve adjust and reface	4.5
	1111M0A	.Replace all exhaust valve guide add	0.3
	1111M9	GUIDE, VALVE :FOR 1 VEHICLE .. .INCLUDES: Engine removal and installation .INCLUDES: Reaming	5.4

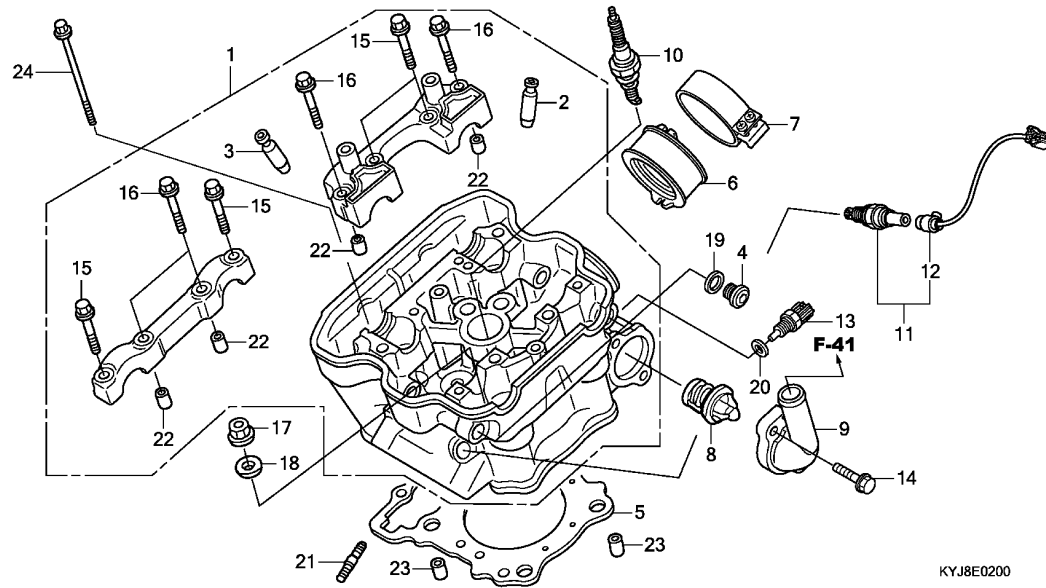
Ref. No.	Part No.	Description	Reqd. QTY						Serial No.	Parts catalogue code
			CBR250R			CBR250RA				
			B	C	D	B	C	D		
1	12010-KYJ-960	HEAD ASSY., CYLINDER	1	1	1	1	1	1		
2	12204-KYJ-305	GUIDE, IN. VALVE(O.S.)	2	2	2	2	2	2		
3	12205-KYJ-305	GUIDE, EX. VALVE(O.S.)	2	2	2	2	2	2		
4	12207-KYJ-900	BOLT, SEALING, 12MM	2	2	2	2	2	2		
5	12251-KYJ-901	GASKET, CYLINDER HEAD	1	1	1	1	1	1		
6	16211-KYJ-901	INSULATOR, THROTTLE BODY	1	1	1	1	1	1		
7	16217-KYJ-900	BAND, INSULATOR	1	1	1	1	1	1		
8	19300-KGF-911	THERMOSTAT	1	1	1	1	1	1		
9	19321-KYJ-900	COVER, THERMOSTAT	1	1	1	1	1	1		
10	31916-MEH-003	PLUG, SPARK(SIMR8A9)(NGK) ...	1	1	1	1	1	1		
11	36532-KYJ-901	SENSOR, OXYGEN	1	1	1	1	1	1		
12	36533-KYJ-900	CORD COMP., OXYGEN SENSOR ...	1	1	1	1	1	1		
13	37870-KRJ-901	SENSOR ASSY., WATER TEMP	1	1	1	1	1	1		
14	90011-KYJ-900	BOLT, FLANGE, 6X22(NSHF)	2	2	2	2	2	2		
15	90017-KYJ-900	BOLT, FLANGE, 6X32	4	4	4	4	4	4		
16	90019-KYJ-900	BOLT, FLANGE, 6X39.5	4	4	4	4	4	4		
17	90204-634-000	NUT, FLANGE, 10MM	4	4	4	4	4	4		
18	90410-GCC-000	WASHER, 10MM	4	4	4	4	4	4		
19	90418-KYJ-900	WASHER, 12.2X17X1.5	2	2	2	2	2	2		
20	90454-MC7-000	WASHER, SPECIAL, 12MM	1	1	1	1	1	1		
21	92900-08022-3E	BOLT, STUD, 8X22	2	2	2	2	2	2		
22	91105-KSP-910	DOWEL PIN, 8X14	4	4	4	4	4	4		
	94301-08140	4	4	4	4	4	4		
23	94301-12160	PIN A, DOWEL, 12X16	2	2	2	2	2	2		
24	95701-06120-00	BOLT, FLANGE, 6X120	2	2	2	2	2	2		



E-2

CYLINDER HEAD

G 3



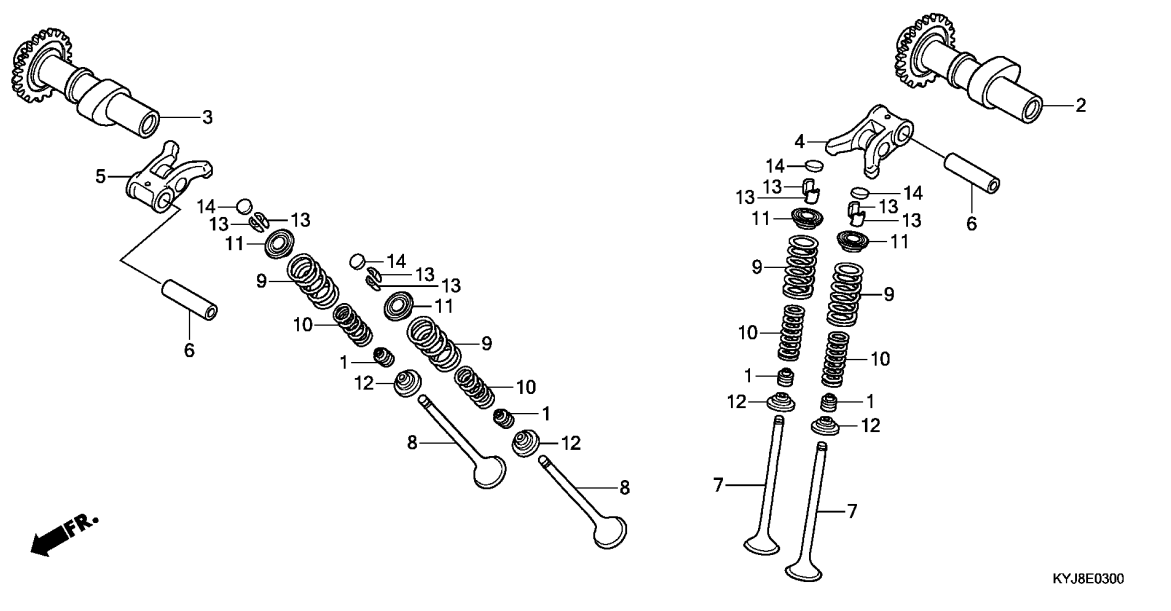
Ref. No.	L.O.N.	(Relative ref. Number) Description	F.R.T.
+ 3		.INCLUDES: Valve adjust and reface	
5	111115	GASKET, CYLINDER HEAD	3.6
		.INCLUDES: Engine removal and installation	
6	311131	INSULATOR, THROTTLE BODY/CARBURETOR	1.2
8	114116	THERMOSTAT	0.7
9	1141B3	COVER, THERMOSTAT	0.6
10	614130	PLUG, SPARK	0.6
11	617121	SENSOR, OXYGEN	0.3
12	6111P8	SUB CORD, OXYGEN SENSOR	0.2
13	6171A9	SENSOR, WATER TEMP	0.7

KYJ8E0200

2

E-3

CAMSHAFT/VALVE



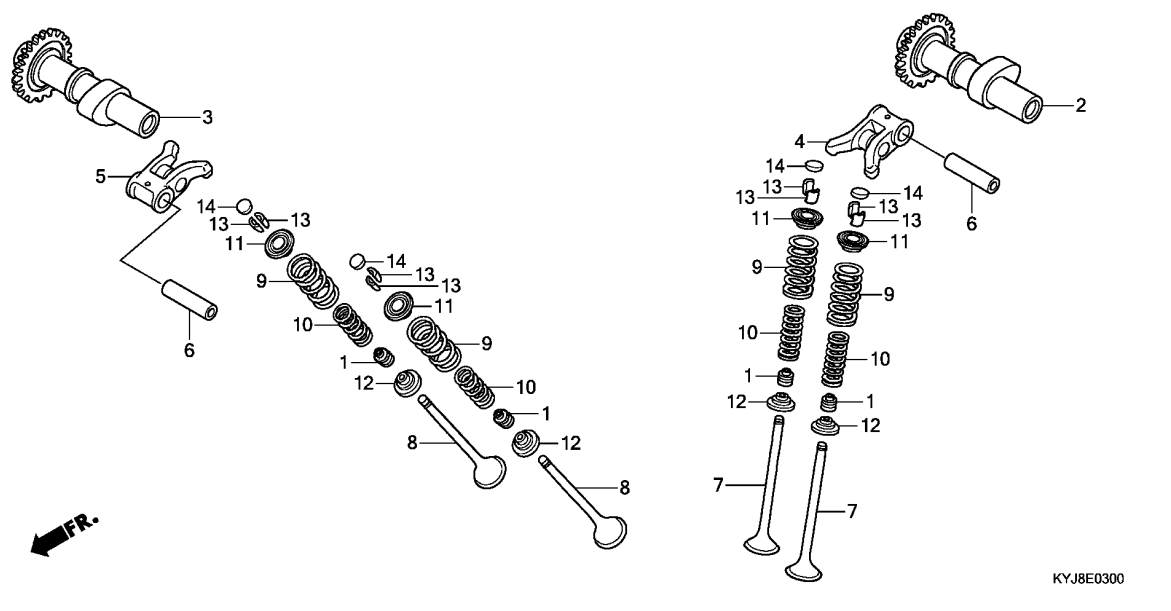
Ref. No.	L.O.N.	(Relative ref. Number) Description	F.R.T.
2	1111E5	CAMSHAFT :INTAKEINCLUDES: Valve clearance adjustment	1.4
3	1111E6	CAMSHAFT :EXHAUSTINCLUDES: Valve clearance adjustment	1.4
	1111T4	CAMSHAFT :FOR 1 VEHICLEINCLUDES: Valve clearance adjustment	1.6
4	1111K8	ARM, INTAKE VALVE ROCKER(ONE) .INCLUDES: Valve adjustment	1.4
5	1111K9	ARM, EXHAUST VALVE ROCKER(ONE) .INCLUDES: Valve adjustment	1.4
	1111L8	ARM, VALVE ROCKER :FOR 1 VEHICLEINCLUDES: Valve adjustment	1.6
7	1111N0	VALVE, INTAKE(ONE)INCLUDES: Engine removal and installation	4.0
	1111NOA	.INCLUDES: Refacing .Replace all intake valve add	0.2
8	1111N1	VALVE, EXHAUST(ONE)INCLUDES: Engine removal and installation	4.0
		.INCLUDES: Refacing	

Ref. No.	Part No.	Description	Reqd. QTY						Serial No.	Parts catalogue code
			CBR250R			CBR250RA				
			B	C	D	B	C	D		
1	12209-MLO-722	SEAL, VALVE STEM(ARAI)	4	4	4	4	4	4		
2	14110-KYJ-900	CAMSHAFT COMP., IN.(34T)	1	1	1	1	1	1		
3	14210-KYJ-900	CAMSHAFT COMP., EX.(34T)	1	1	1	1	1	1		
4	14430-KYJ-900	ARM COMP., IN. VALVE ROCKER -	1	1	1	1	1	1		
5	14440-KYJ-900	ARM COMP., EX. VALVE ROCKER -	1	1	1	1	1	1		
6	14451-KYJ-900	SHAFT, ROCKER ARM	2	2	2	2	2	2		
7	14711-KYJ-900	VALVE, IN.	2	2	2	2	2	2		
8	14721-KYJ-900	VALVE, EX.	2	2	2	2	2	2		
9	14751-KYJ-900	SPRING, VALVE OUTER	4	4	4	4	4	4		
10	14761-KYJ-900	SPRING, VALVE INNER	4	4	4	4	4	4		
11	14771-MFL-000	RETAINER, VALVE SPRING	4	4	4	4	4	4		
12	14775-KYJ-900	SEAT, VALVE SPRING	4	4	4	4	4	4		
13	14781-MLO-720	COTTER, VALVE	8	8	8	8	8	8		
14	14901-KT7-013	SHIM, TAPPET(1.200)	4	4	4	4	4	4		
	14902-KT7-013	SHIM, TAPPET(1.225)	4	4	4	4	4	4		
	14903-KT7-013	SHIM, TAPPET(1.250)	4	4	4	4	4	4		
	14904-KT7-013	SHIM, TAPPET(1.275)	4	4	4	4	4	4		
	14905-KT7-013	SHIM, TAPPET(1.300)	4	4	4	4	4	4		
	14906-KT7-013	SHIM, TAPPET(1.325)	4	4	4	4	4	4		
	14907-KT7-013	SHIM, TAPPET(1.350)	4	4	4	4	4	4		
	14908-KT7-013	SHIM, TAPPET(1.375)	4	4	4	4	4	4		
	14909-KT7-013	SHIM, TAPPET(1.400)	4	4	4	4	4	4		
	14910-KT7-013	SHIM, TAPPET(1.425)	4	4	4	4	4	4		
	14911-KT7-013	SHIM, TAPPET(1.450)	4	4	4	4	4	4		
	14912-KT7-013	SHIM, TAPPET(1.475)	4	4	4	4	4	4		
	14913-KT7-013	SHIM, TAPPET(1.500)	4	4	4	4	4	4		
	14914-KT7-013	SHIM, TAPPET(1.525)	4	4	4	4	4	4		



E-3

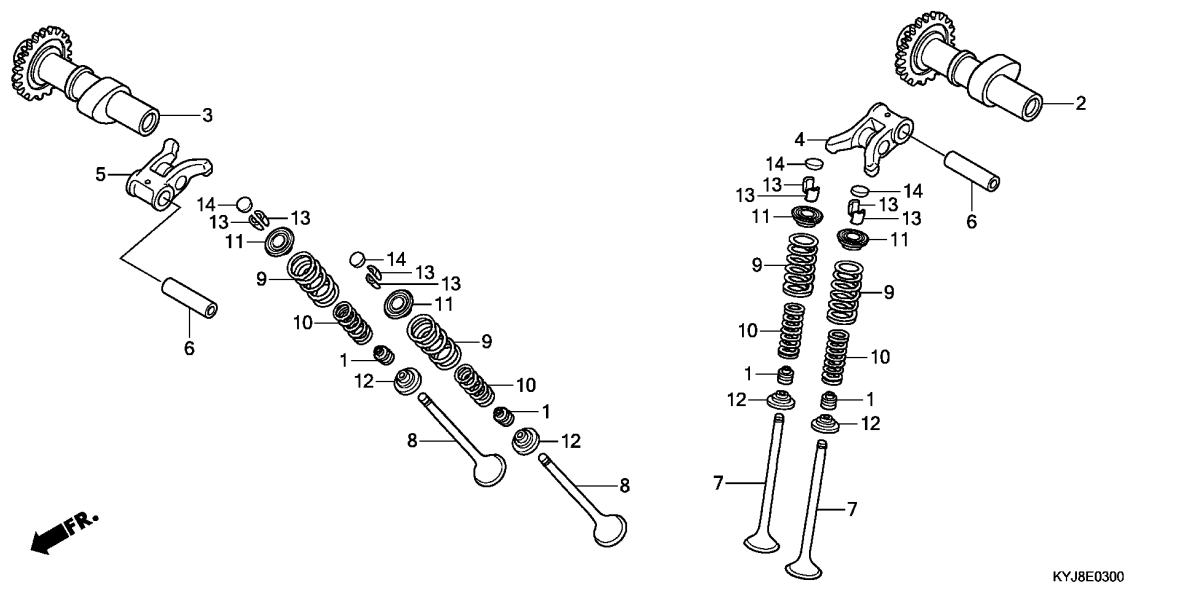
CAMSHAFT/VALVE



Ref. No.	L.O.N.	(Relative ref. Number) Description	F.R.T.
+ 8	1111N1A	.Replace all exhaust valve add	0.2
	1111P0	VALVE :FOR 1 VEHICLEINCLUDES: Engine removal and installation	4.6
9	1111P2	INTAKE VALVE SPRING AND/OR STEM SEAL(ONE)INCLUDES: Refacing (1,10,11,12,13) .INCLUDES: Engine removal and installation	3.8
	1111P2A	.Replace all intake spring add	0.1
	1111P3	EXHAUST VALVE SPRING AND/OR STEM SEAL(ONE)INCLUDES: Engine removal and installation	3.8
	1111P3A	.Replace all exhaust spring add	0.1
	1111Q2	VALVE SPRING AND/OR STEM SEAL :FOR 1 VEHICLEINCLUDES: Engine removal and installation	4.1

Ref. No.	Part No.	Description	Reqd. QTY						Serial No.	Parts catalogue code
			CBR250R			CBR250RA				
			B	C	D	B	C	D		
14)	14915-KT7-013	SHIM, TAPPET(1.550)	4	4	4	4	4	4		
	14916-KT7-013	SHIM, TAPPET(1.575)	4	4	4	4	4	4		
	14917-KT7-013	SHIM, TAPPET(1.600)	4	4	4	4	4	4		
	14918-KT7-013	SHIM, TAPPET(1.625)	4	4	4	4	4	4		
	14919-KT7-013	SHIM, TAPPET(1.650)	4	4	4	4	4	4		
	14920-KT7-013	SHIM, TAPPET(1.675)	4	4	4	4	4	4		
	14921-KT7-013	SHIM, TAPPET(1.700)	4	4	4	4	4	4		
	14922-KT7-013	SHIM, TAPPET(1.725)	4	4	4	4	4	4		
	14923-KT7-013	SHIM, TAPPET(1.750)	4	4	4	4	4	4		
	14924-KT7-013	SHIM, TAPPET(1.775)	4	4	4	4	4	4		
	14925-KT7-013	SHIM, TAPPET(1.800)	4	4	4	4	4	4		
	14926-KT7-013	SHIM, TAPPET(1.825)	4	4	4	4	4	4		
	14927-KT7-013	SHIM, TAPPET(1.850)	4	4	4	4	4	4		
	14928-KT7-013	SHIM, TAPPET(1.875)	4	4	4	4	4	4		
	14929-KT7-013	SHIM, TAPPET(1.900)	4	4	4	4	4	4		
	14930-KT7-013	SHIM, TAPPET(1.925)	4	4	4	4	4	4		
	14931-KT7-013	SHIM, TAPPET(1.950)	4	4	4	4	4	4		
	14932-KT7-013	SHIM, TAPPET(1.975)	4	4	4	4	4	4		
	14933-KT7-013	SHIM, TAPPET(2.000)	4	4	4	4	4	4		
	14934-KT7-013	SHIM, TAPPET(2.025)	4	4	4	4	4	4		
	14935-KT7-013	SHIM, TAPPET(2.050)	4	4	4	4	4	4		
	14936-KT7-013	SHIM, TAPPET(2.075)	4	4	4	4	4	4		
	14937-KT7-013	SHIM, TAPPET(2.100)	4	4	4	4	4	4		
	14938-KT7-013	SHIM, TAPPET(2.125)	4	4	4	4	4	4		
	14939-KT7-013	SHIM, TAPPET(2.150)	4	4	4	4	4	4		
	14940-KT7-013	SHIM, TAPPET(2.175)	4	4	4	4	4	4		
	14941-KT7-013	SHIM, TAPPET(2.200)	4	4	4	4	4	4		
	14942-KT7-013	SHIM, TAPPET(2.225)	4	4	4	4	4	4		
	14943-KT7-013	SHIM, TAPPET(2.250)	4	4	4	4	4	4		

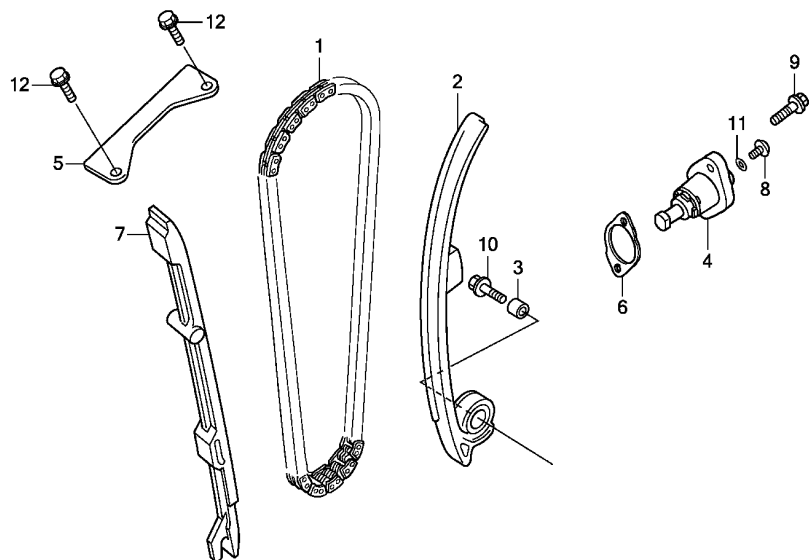
2



Ref. No.	Part No.	Description	Reqd. QTY						Serial No.	Parts catalogue code
			CBR250R			CBR250RA				
			B	C	D	B	C	D		
14)	14944-KT7-013	SHIM, TAPPET(2.275)	4	4	4	4	4	4		
	14945-KT7-013	SHIM, TAPPET(2.300)	4	4	4	4	4	4		
	14946-KT7-013	SHIM, TAPPET(2.325)	4	4	4	4	4	4		
	14947-KT7-013	SHIM, TAPPET(2.350)	4	4	4	4	4	4		
	14948-KT7-013	SHIM, TAPPET(2.375)	4	4	4	4	4	4		
	14949-KT7-013	SHIM, TAPPET(2.400)	4	4	4	4	4	4		
	14950-KT7-013	SHIM, TAPPET(2.425)	4	4	4	4	4	4		
	14951-KT7-013	SHIM, TAPPET(2.450)	4	4	4	4	4	4		
	14952-KT7-013	SHIM, TAPPET(2.475)	4	4	4	4	4	4		
	14953-KT7-013	SHIM, TAPPET(2.500)	4	4	4	4	4	4		
	14954-KT7-013	SHIM, TAPPET(2.525)	4	4	4	4	4	4		
	14955-KT7-013	SHIM, TAPPET(2.550)	4	4	4	4	4	4		
	14956-KT7-013	SHIM, TAPPET(2.575)	4	4	4	4	4	4		
	14957-KT7-013	SHIM, TAPPET(2.600)	4	4	4	4	4	4		
	14958-KT7-013	SHIM, TAPPET(2.625)	4	4	4	4	4	4		
	14959-KT7-013	SHIM, TAPPET(2.650)	4	4	4	4	4	4		
	14960-KT7-013	SHIM, TAPPET(2.675)	4	4	4	4	4	4		
	14961-KT7-013	SHIM, TAPPET(2.700)	4	4	4	4	4	4		
	14962-KT7-013	SHIM, TAPPET(2.725)	4	4	4	4	4	4		
	14963-KT7-013	SHIM, TAPPET(2.750)	4	4	4	4	4	4		
	14964-KT7-013	SHIM, TAPPET(2.775)	4	4	4	4	4	4		
	14965-KT7-013	SHIM, TAPPET(2.800)	4	4	4	4	4	4		
	14966-KT7-013	SHIM, TAPPET(2.825)	4	4	4	4	4	4		
	14967-KT7-013	SHIM, TAPPET(2.850)	4	4	4	4	4	4		
	14968-KT7-013	SHIM, TAPPET(2.875)	4	4	4	4	4	4		
	14969-KT7-013	SHIM, TAPPET(2.900)	4	4	4	4	4	4		

E-4

CAM CHAIN/TENSIONER

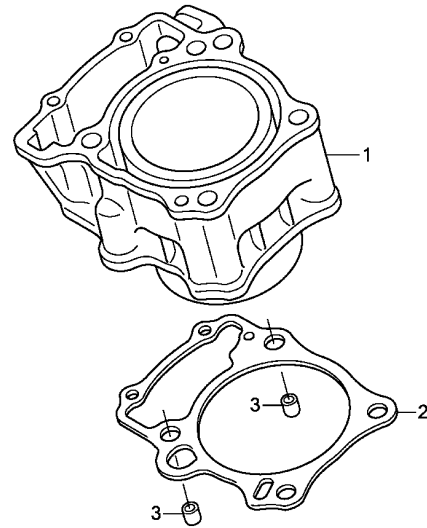


KYJ8E0400

Ref. No.	L.O.N.	(Relative ref. Number) Description	F.R.T.
1	110140	CHAIN, CAMINCLUDES: Engine removal and installation	4.3
2	111130	TENSIONER, CAM CHAININCLUDES: Engine removal and installation	4.1
4	111133	LIFTER, TENSIONER (6)	0.3
5	1111G9	GUIDE B, CAM CHAIN	0.8
7	111139	GUIDE, CAM CHAININCLUDES: Engine removal and installation	3.6

Ref. No.	Part No.	Description	Reqd. QTY						Serial No.	Parts catalogue code
			CBR250R			CBR250RA				
			B	C	D	B	C	D		
1	14401-KYJ-901	CHAIN, CAM(128L)(DAIDO)	1	1	1	1	1	1		
2	14510-KYJ-900	TENSIONER COMP., CAM CHAIN ..	1	1	1	1	1	1		
3	14517-KYJ-900	COLLAR, TENSIONER	1	1	1	1	1	1		
4	14520-KYJ-901	LIFTER ASSY., TENSIONER	1	1	1	1	1	1		
5	14546-KYJ-900	GUIDE B, CAM CHAIN	1	1	1	1	1	1		
6	14560-KGH-900	GASKET, TENSIONER LIFTER	1	1	1	1	1	1		
7	14611-KYJ-900	GUIDE A, CAM CHAIN	1	1	1	1	1	1		
8	90005-KYJ-900	SCREW, PAN, 6X6	1	1	1	1	1	1		
9	90011-KYJ-900	BOLT, FLANGE, 6X22(NSHF)	2	2	2	2	2	2		
10	90022-KYJ-900	BOLT-WASHER, 6X25	1	1	1	1	1	1		
11	91306-MG3-000	O-RING, 1.5X9.5	1	1	1	1	1	1		
12	95701-06014-00	BOLT, FLANGE, 6X14	2	2	2	2	2	2		

2

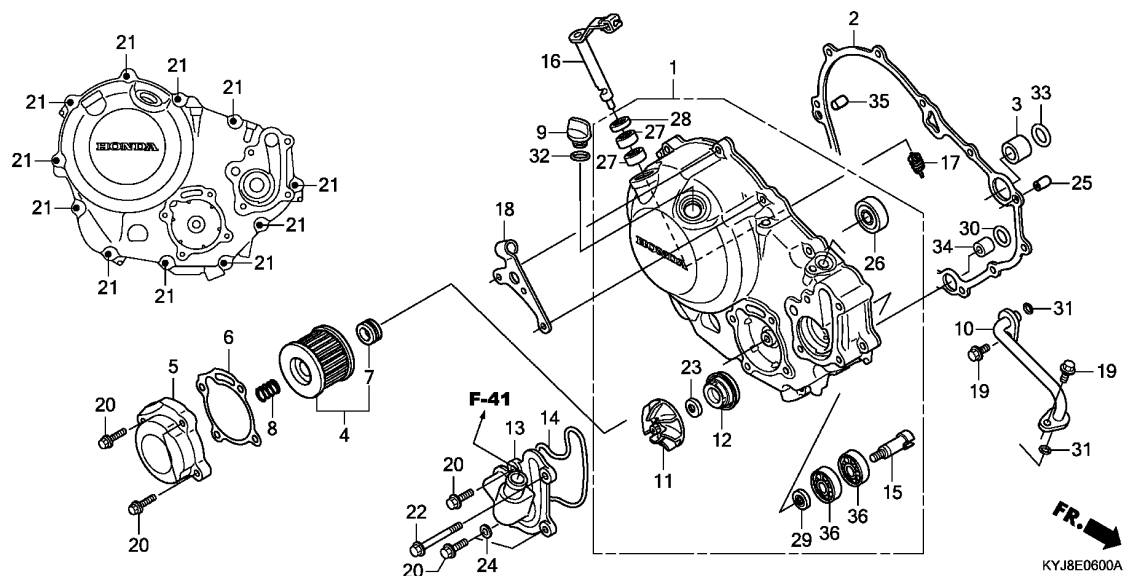


KYJ8E0500

Ref. No.	L.O.N.	(Relative ref. Number) Description	F.R.T.
1	1111A5	CYLINDERINCLUDES: Engine removal and installation	4.0
2	111102	GASKET, CYLINDERINCLUDES: Engine removal and installation	3.9

Ref. No.	Part No.	Description	Reqd. QTY						Serial No.	Parts catalogue code
			CBR250R			CBR250RA				
			B	C	D	B	C	D		
1	12100-KYJ-900	CYLINDER COMP.	1	1	1	1	1	1		
2	12191-KYJ-900	GASKET, CYLINDER	1	1	1	1	1	1		
3	94301-12160	PIN A, DOWEL, 12X16	2	2	2	2	2	2		





Ref. No.	L.O.N.	(Relative ref. Number) Description	F.R.T.
1	110159	COVER, CRANKCASE :RIGHT (30,33)	1.0
2	110158	GASKET, CRANKCASE COVER :RIGHT (5,6,7,8)	0.9
4	113127	ELEMENT, OIL FILTER (31)	0.5
10	114125	PIPE, WATER CONNECTING	0.6
11	114105	IMPELLER, WATER PUMP (29)	1.0
12	114110	MECHANICAL SEAL, WATER PUMP (14)	1.3
13	1141B0	COVER, WATER PUMP	0.6
15	1141E7	SHAFT, WATER PUMP (28)	1.0
16	2121A7	LEVER, CLUTCH	1.0
26	1101V8	BEARING, CRANKSHAFT :CRANKCASE COVER SIDE	1.1
36	114144	BEARING, WATER PUMP	1.3

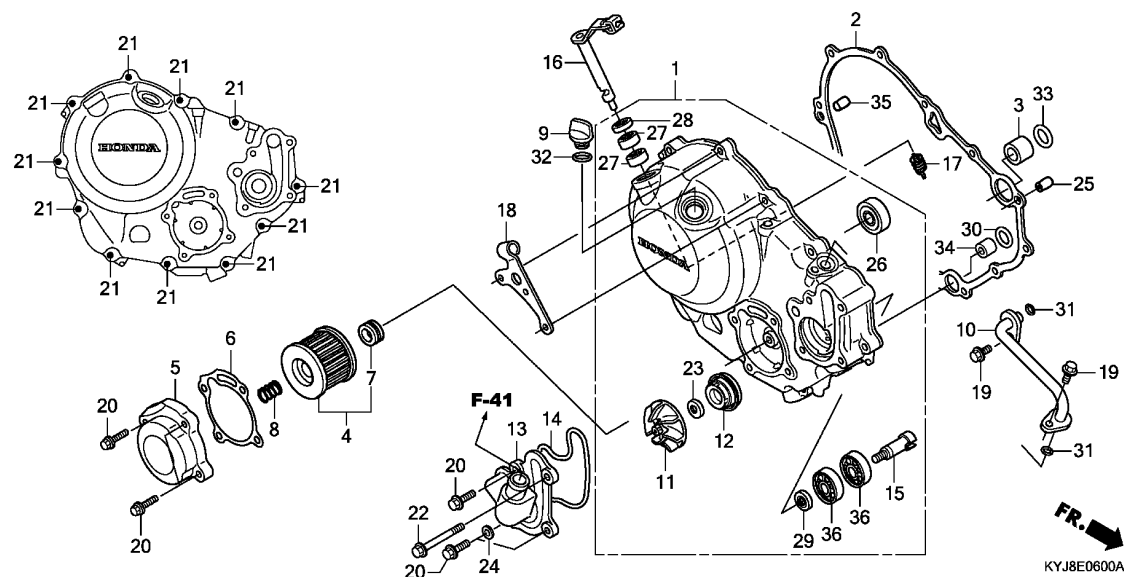
.NOTE: Same time for two units

Ref. No.	Part No.	Description	Reqd. QTY						Serial No.	Parts catalogue code
			CBR250R			CBR250RA				
			B	C	D	B	C	D		
1	11300-KYJ-900	COVER ASSY., R. CRANKCASE	1	1	1	1	1	1		
2	11394-KYJ-900	GASKET, R. CRANKCASE COVER	1	1	1	1	1	1		
3	15326-KT7-000	COLLAR, OIL PATH, 18MM	1	1	1	1	1	1		
4	15410-KYJ-901	ELEMENT, OIL FILTER	1	1	1	1	1	1		
5	15411-KYJ-900	COVER, OIL FILTER	1	1	1	1	1	1		
6	15412-KYJ-901	GASKET, OIL FILTER COVER	1	1	1	1	1	1		
7	15413-MC8-000	RUBBER, FILTER	1	1	1	1	1	1		
8	15414-KF0-000	SPRING, OIL FILTER ELEMENT SETTING	1	1	1	1	1	1		
9	15611-KA4-710	CAP, OIL FILLER	1	1	1	1	1	1		
10	19120-KYJ-900	PIPE COMP., WATER	1	1	1	1	1	1		
11	19215-KGH-900	IMPELLER, WATER PUMP	1	1	1	1	1	1		
12	19217-P72-013	SEAL, MECHANICAL	1	1	1	1	1	1		
13	19220-KYJ-900	COVER COMP., WATER PUMP	1	1	1	1	1	1		
14	19226-KYJ-901	GASKET, WATER PUMP COVER	1	1	1	1	1	1		
15	19241-KYJ-900	SHAFT, WATER PUMP	1	1	1	1	1	1		
16	22810-KYJ-900	LEVER COMP., CLUTCH	1	1	1	1	1	1		
17	22815-KM7-700	SPRING, CLUTCH LEVER	1	1	1	1	1	1		
18	22821-KYJ-900	RECEIVER, CLUTCH CABLE	1	1	1	1	1	1		
19	90010-KYJ-900	BOLT, FLANGE, 6X16(NSHF)	2	2	2	2	2	2		
20	90012-KYJ-900	BOLT, FLANGE, 6X25(NSHF)	7	7	7	7	7	7		
21	90013-KYJ-900	BOLT, FLANGE, 6X30(NSHF)	11	11	11	11	11	11		
22	90015-KYJ-900	BOLT, FLANGE, 6X60(NSHF)	1	1	1	1	1	1		
23	90423-KW6-900	WASHER, 7X13X1.2	1	1	1	1	1	1		
24	90463-ML7-000	WASHER, SEALING, 6.5MM	1	1	1	1	1	1		

E-6

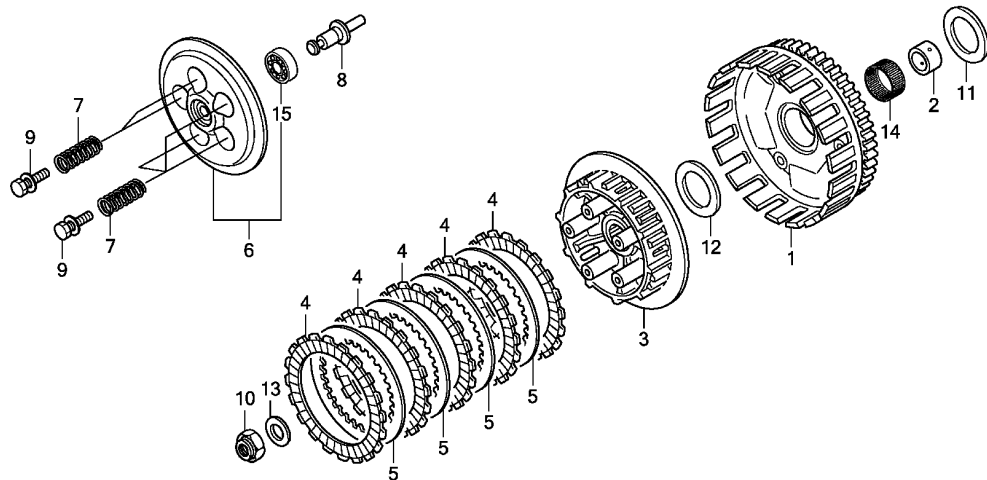
RIGHT CRANKCASE COVER

G10



2

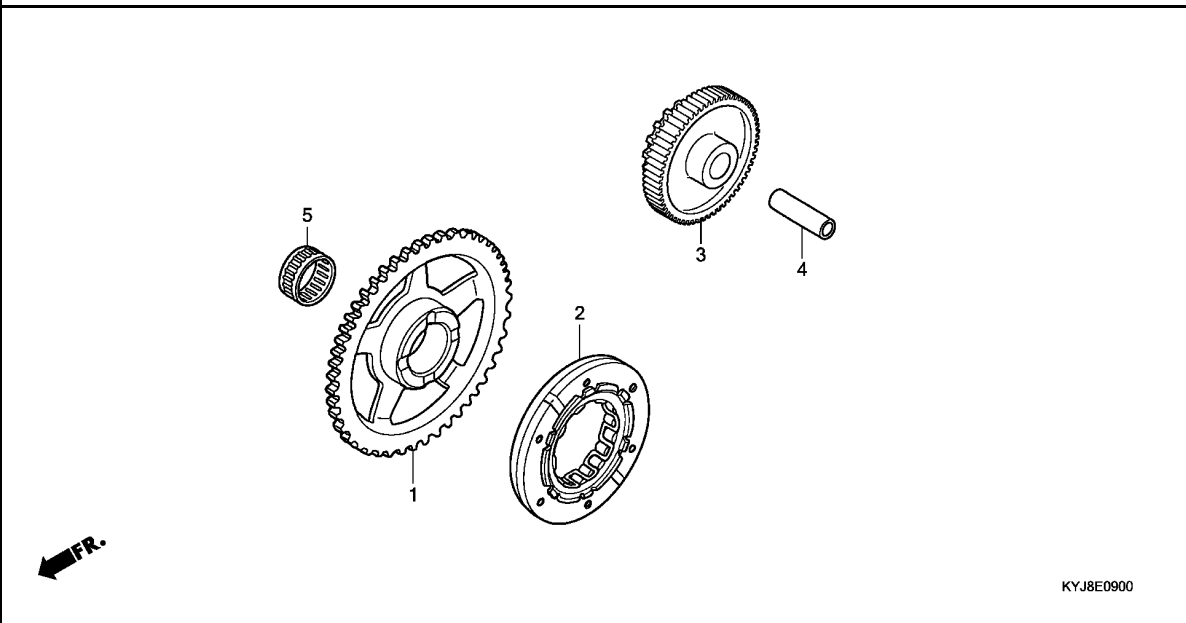
Ref. No.	Part No.	Description	Reqd. QTY						Serial No.	Parts catalogue code
			CBR250R			CBR250RA				
			B	C	D	B	C	D		
25	90702-KFM-900	DOWEL PIN, 8X12	1	1	1	1	1	1		
26	91009-KYJ-901	BEARING, RADIAL BALL, 6001U ..	1	1	1	1	1	1		
27	91053-719-005	BEARING, NEEDLE, 12X16X10(NTN)	2	2	2	2	2	2		
28	91204-KKO-003	OIL SEAL, 12X18X5(ARAI)	1	1	1	1	1	1		
29	91205-KFO-003	OIL SEAL, 12X20X5(ARAI)	1	1	1	1	1	1		
30	91301-KYJ-901	O-RING, 11.8X1.9	1	1	1	1	1	1		
31	91302-KYJ-901	O-RING, 9.8X2.4	2	2	2	2	2	2		
32	91307-035-000	O-RING, 18X3	1	1	1	1	1	1		
33	91322-PTO-004	O-RING, 17.8X1.9(ARAI)	1	1	1	1	1	1		
34	94301-12160	PIN A, DOWEL, 12X16	1	1	1	1	1	1		
35	94302-08140	PIN B, DOWEL, 8X14	1	1	1	1	1	1		
36	96100-60013-00	BEARING, RADIAL BALL, 6001 ..	2	2	2	2	2	2		



FR. →
KYJ8E0800

Ref. No.	L.O.N.	(Relative ref. Number) Description	F.R.T.
1		(14) OUTER, CLUTCH	1.3
3		212112 CENTER, CLUTCH	1.3
4		(5) DISC, CLUTCH FRICTION	1.1
		.NOTE: Same time for two units or more	
6		2121A3 PLATE, CLUTCH PRESSURE	1.0
7		212107 SPRING, CLUTCH	1.0
		.NOTE: Same time for two units or more	
8		2121B6 ROD, CLUTCH LIFTER	1.0

Ref. No.	Part No.	Description	Reqd. QTY						Serial No.	Parts catalogue code
			CBR250R			CBR250RA				
			B	C	D	B	C	D		
1	22100-KYJ-903	OUTER COMP., CLUTCH	1	1	1	1	1	1		
2	22116-KYJ-900	GUIDE, CLUTCH OUTER	1	1	1	1	1	1		
3	22121-KYJ-902	CENTER, CLUTCH	1	1	1	1	1	1		
4	22201-KYJ-902	DISK, CLUTCH FRICTION	5	5	5	5	5	5		
5	22321-KYJ-902	PLATE, CLUTCH	4	4	4	4	4	4		
6	22350-KYJ-902	PLATE COMP., CLUTCH PRESSURE	1	1	1	1	1	1		
7	22401-KYJ-902	SPRING, CLUTCH	5	5	5	5	5	5		
8	22847-KYJ-900	PIN, CLUTCH LIFTER	1	1	1	1	1	1		
9	90050-KYJ-902	BOLT, 6X1.0	5	5	5	5	5	5		
10	90201-KCZ-010	NUT, SPECIAL, 16MM	1	1	1	1	1	1		
11	90404-KVK-900	WASHER, 20X40X2	1	1	1	1	1	1		
12	90404-KYJ-902	WASHER, 20X40X2	1	1	1	1	1	1		
13	90434-KPS-900	WASHER, 16MM	1	1	1	1	1	1		
14	91012-KYJ-901	BEARING, NEEDLE, 28X33X16.8	1	1	1	1	1	1		
15	96100-60010-00	BEARING, RADIAL BALL, 6001	1	1	1	1	1	1		



Ref. No.	L.O.N.	(Relative ref. Number) Description	F.R.T.
1		(5)	
612120		GEAR, STARTER DRIVEN	0.9
612131		OUTER, STARTING CLUTCH	1.0
612125		GEAR, STARTER REDUCTION	0.7

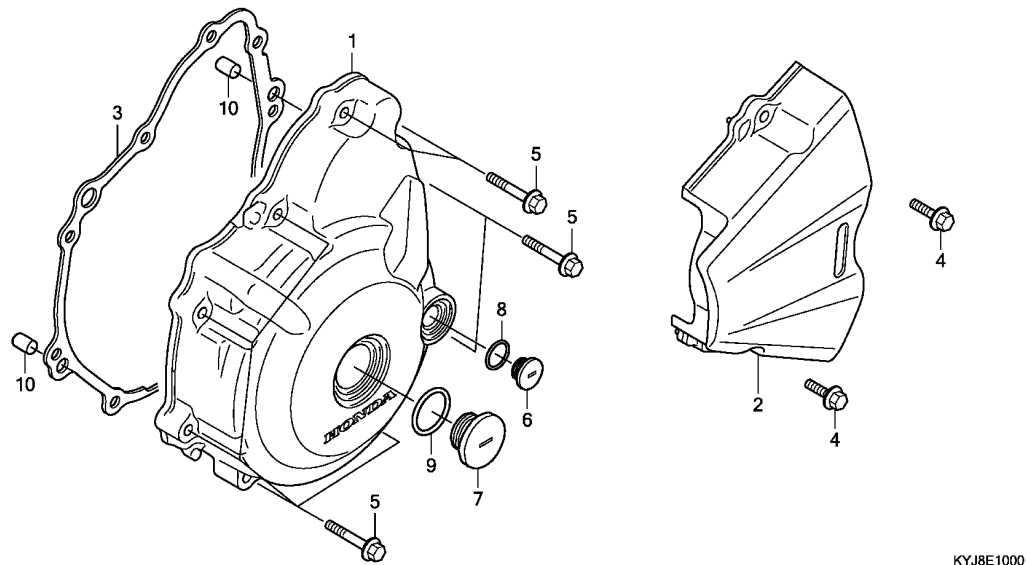
Ref. No.	Part No.	Description	Reqd. QTY						Serial No.	Parts catalogue code
			CBR250R			CBR250RA				
			B	C	D	B	C	D		
1	28110-KYJ-900	GEAR COMP., STARTER DRIVEN (68T)	1	1	1	1	1	1		
2	28125-KYJ-901	OUTER COMP., STARTING CLUTCH	1	1	1	1	1	1		
3	28130-KYJ-900	GEAR, STARTER REDUCTION (17T/60T)	1	1	1	1	1	1		
4	28132-MK5-000	SHAFT C, IDLE GEAR	1	1	1	1	1	1		
5	91107-KYJ-901	BEARING, NEEDLE, 29X34X24 ...	1	1	1	1	1	1		



E-10

LEFT CRANKCASE COVER

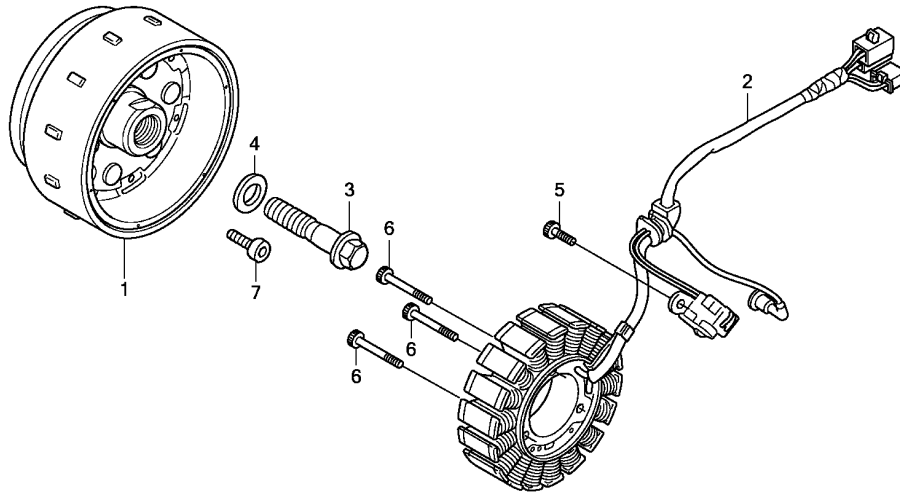
G13



Ref. No.	L.O.N.	(Relative ref. Number) Description	F.R.T.
1	1101A6	COVER, CRANKCASE :LEFT	0.8
2	1101B0	COVER, CRANKCASE :LEFT REAR ..	0.1
3	1101A3	GASKET, CRANKCASE COVER :LEFT	0.7

Ref. No.	Part No.	Description	Reqd. QTY						Serial No.	Parts catalogue code
			CBR250R			CBR250RA				
			B	C	D	B	C	D		
1	11341-KYJ-900	COVER, L. CRANKCASE	1	1	1	1	1	1		
2	11360-KYJ-900	COVER COMP., L. RR.	1	1	1	1	1	1		
3	11395-KYJ-900	GASKET, L. CRANKCASE COVER ..	1	1	1	1	1	1		
4	90012-KYJ-900	BOLT, FLANGE, 6X25(NSHF)	2	2	2	2	2	2		
5	90013-KYJ-900	BOLT, FLANGE, 6X30(NSHF)	9	9	9	9	9	9		
6	90084-KPP-860	CAP, A.C. GENERATOR	1	1	1	1	1	1		
7	90087-KPP-860	CAP, 30MM	1	1	1	1	1	1		
8	91303-377-000	O-RING, 13.8X2.5	1	1	1	1	1	1		
9	91356-KGH-901	O-RING, 30MM	1	1	1	1	1	1		
10	94302-08140	PIN B, DOWEL, 8X14	2	2	2	2	2	2		

2

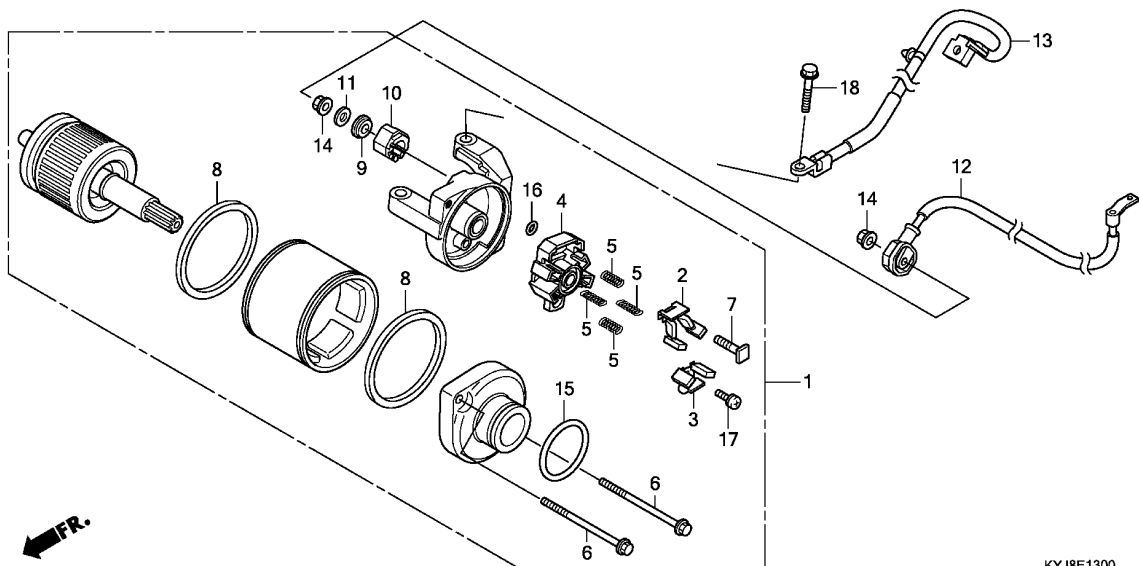


KYJ8E1100

Ref. No.	L.O.N.	(Relative ref. Number) Description	F.R.T.
1	613105	ROTOR OR FLYWHEEL	1.0
2	6131A3	STATOR	1.0

Ref. No.	Part No.	Description	Reqd. QTY						Serial No.	Parts catalogue code
			CBR250R			CBR250RA				
			B	C	D	B	C	D		
1	31110-KYJ-901	FLYWHEEL COMP. (DENSO)	1	1	1	1	1	1		
2	31120-KYJ-901	STATOR COMP.	1	1	1	1	1	1		
3	90023-KYJ-900	BOLT, FLANGE, 12X50	1	1	1	1	1	1		
4	90401-KCY-670	WASHER, 12.5X30X5	1	1	1	1	1	1		
5	96600-06016-00	BOLT, SOCKET, 6X16	2	2	2	2	2	2		
6	96600-06035-00	BOLT, SOCKET, 6X35	3	3	3	3	3	3		
7	96600-08020-10	BOLT, SOCKET, 8X20	6	6	6	6	6	6		

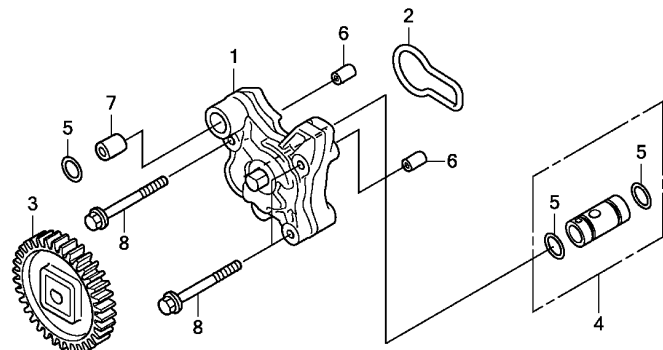




KYJ8E1300

Ref. No.	L.O.N.	(Relative ref. Number) Description	F.R.T.
1		(15)	
1	612105	MOTOR, STARTING	0.7
2		(3,4,5,8)	
2	6121A4	TERMINAL, BRUSH(STARTER)	0.8
.NOTE: Same time for two units			
12	612115	CABLE, STARTER MOTOR	1.1
13	610110	CABLE, NEGATIVE BATTERY	1.1

Ref. No.	Part No.	Description	Reqd. QTY						Serial No.	Parts catalogue code
			CBR250R			CBR250RA				
			B	C	D	B	C	D		
1	31200-KYJ-902	MOTOR ASSY., STARTER	1	1	1	1	1	1		
2	31201-MEW-921	BRUSH SET A, CARBON	1	1	1	1	1	1		
3	31202-MEW-921	BRUSH SET B, CARBON	1	1	1	1	1	1		
4	31203-MEW-921	HOLDER, BRUSH	1	1	1	1	1	1		
5	31204-MEW-921	SPRING, CARBON BRUSH	4	4	4	4	4	4		
6	31205-HP5-601	BOLT, SETTING	2	2	2	2	2	2		
7	31206-MEW-921	BOLT, TERMINAL	1	1	1	1	1	1		
8	31207-HP5-601	RING	2	2	2	2	2	2		
9	31208-MEW-921	INSULATOR	1	1	1	1	1	1		
10	31209-MEW-921	STOPPER, TERMINAL	1	1	1	1	1	1		
11	31210-MEW-921	WASHER	1	1	1	1	1	1		
12	32410-KYJ-900	CABLE, STARTER MOTOR	1	1	1	1	1	1		
13	32601-KYJ-900	CABLE, BATTERY EARTH	1	1	1	1	1	1		
14	90071-MB0-000	NUT-WASHER, 6MM	2	2	2	2	2	2		
15	91309-425-003	O-RING, 24.4X3.1(ARAI)	1	1	1	1	1	1		
16	91320-MB0-000	O-RING, 4X2	1	1	1	1	1	1		
17	93892-05012-08	SCREW-WASHER, 5X12	1	1	1	1	1	1		
18	95701-06025-00	BOLT, FLANGE, 6X25	2	2	2	2	2	2		

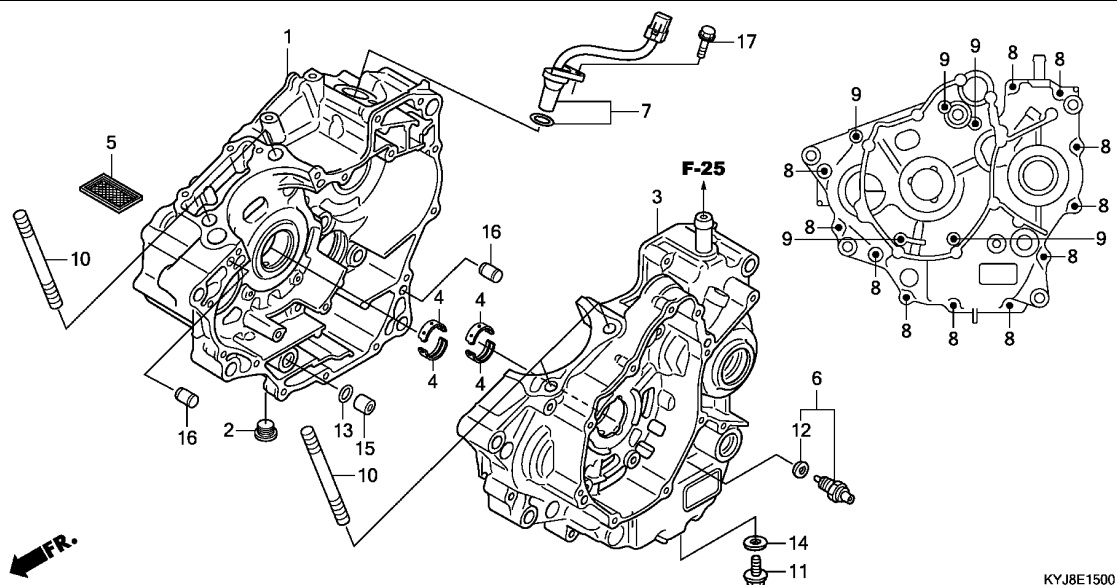


FR. →
KYJ8E1400A

Ref. No.	L.O.N.	(Relative ref. Number) Description	F.R.T.
1		(2) PUMP ASSY., OIL	1.1
3		(5) SPROCKET, OIL PUMP DRIVE	0.9
4		(5) VALVE, RELIEF	1.1

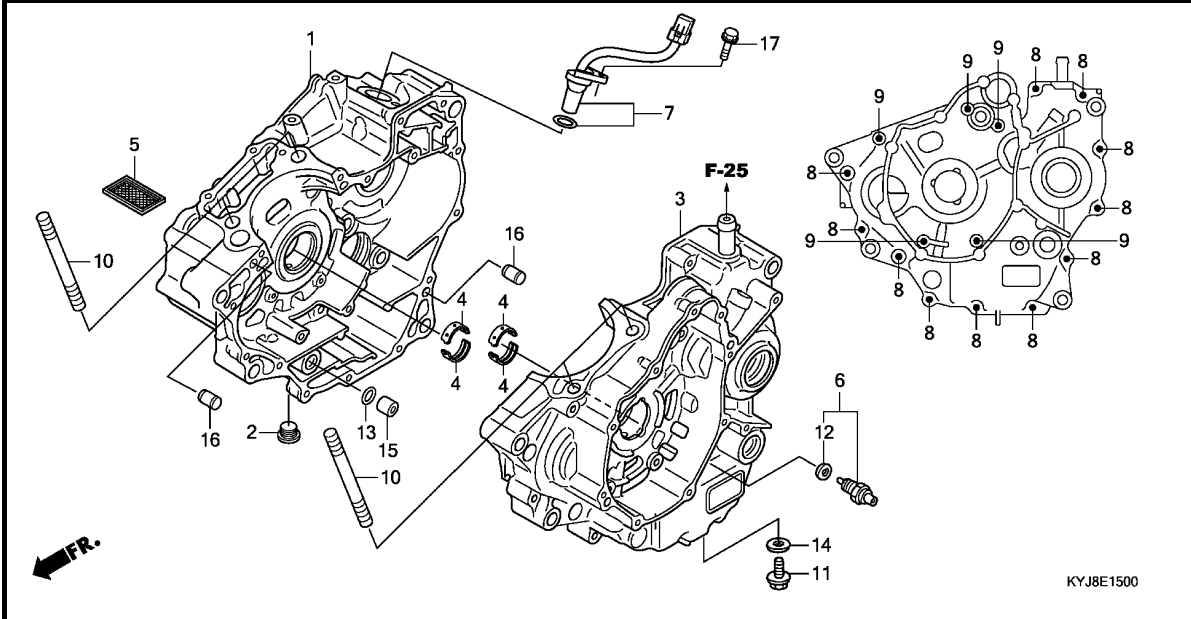
Ref. No.	Part No.	Description	Reqd. QTY						Serial No.	Parts catalogue code
			CBR250R			CBR250RA				
			B	C	D	B	C	D		
1	15100-KYJ-900	PUMP ASSY., OIL	1	1	1	1	1	1		
2	15119-KYJ-901	GASKET, OIL PUMP	1	1	1	1	1	1		
3	15130-KYJ-900	GEAR COMP., OIL PUMP(32T) ...	1	1	1	1	1	1		
4	15220-KYJ-900	VALVE ASSY., RELIEF	1	1	1	1	1	1		
5	91301-KYJ-901	O-RING, 11.8X1.9	3	3	3	3	3	3		
6	90702-KFM-900	DOWEL PIN, 8X12	2	2	2	2	2	2		
7	94301-12160	PIN A, DOWEL, 12X16	1	1	1	1	1	1		
8	95701-06045-00	BOLT, FLANGE, 6X45	3	3	3	3	3	3		





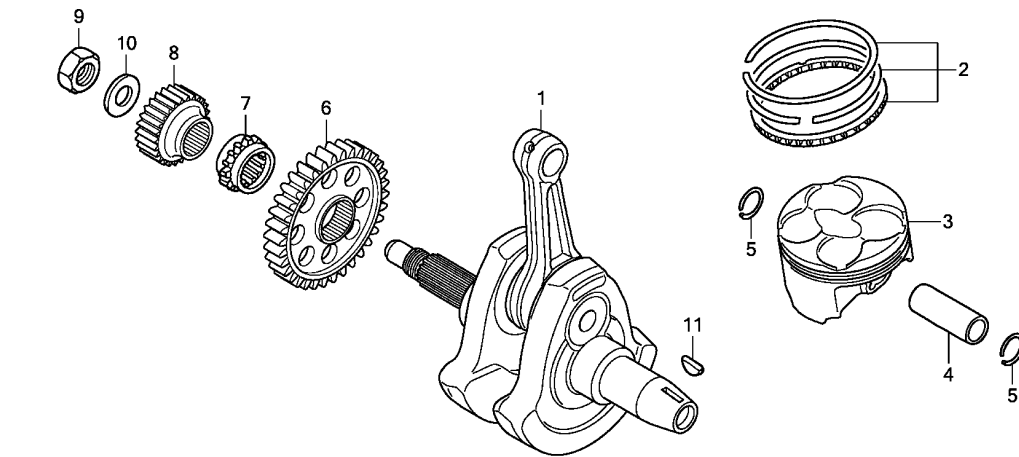
Ref. No.	L.O.N.	(Relative ref. Number) Description	F.R.T.
1	110120	CRANKCASE :RIGHTINCLUDES: Engine removal and installation	6.2
3	110115	CRANKCASE :LEFTINCLUDES: Engine removal and installation	6.2
	1101A2	CRANKCASE :BOTHINCLUDES: Engine removal and installation	6.8
4	1101B6	BEARING, CRANKSHAFT :LEFTINCLUDES: Engine removal and installation	5.7
	1101B7	BEARING, CRANKSHAFT :RIGHTINCLUDES: Engine removal and installation	5.7
	1101G0	BEARING, CRANKSHAFT :BOTHINCLUDES: Engine removal and installation	5.9
5	1131B5	SCREEN, OIL FILTER	0.9
6	6151B8	SWITCH, NEUTRAL	0.2
7	617198	SENSOR, SPEEDOMETER	0.7

Ref. No.	Part No.	Description	Reqd. QTY						Serial No.	Parts catalogue code
			CBR250R			CBR250RA				
			B	C	D	B	C	D		
1	11100-KYJ-900	CRANKCASE COMP., R.	1	1	1	1	1	1		
2	11107-KYJ-900	BOLT, SEALING, 16MM	1	1	1	1	1	1		
3	11200-KYJ-900	CRANKCASE COMP., L.	1	1	1	1	1	1		
4	13312-KYJ-901	BEARING A, CRANKSHAFT (BLUE) -	4	4	4	4	4	4		
	13313-KYJ-901	BEARING B, CRANKSHAFT (BLACK)	4	4	4	4	4	4		
	13314-KYJ-901	BEARING C, CRANKSHAFT (BROWN)	4	4	4	4	4	4		
	13315-KYJ-305	BEARING D, CRANKSHAFT (RED) (O.S.)	(4)	(4)	(4)	(4)	(4)	(4)		
	13316-KYJ-305	BEARING E, CRANKSHAFT (GREEN) (O.S.)	(4)	(4)	(4)	(4)	(4)	(4)		
	13317-KYJ-305	BEARING F, CRANKSHAFT (YELLOW) (O.S.)	(4)	(4)	(4)	(4)	(4)	(4)		
	13318-KYJ-305	BEARING G, CRANKSHAFT (PINK) (O.S.)	(4)	(4)	(4)	(4)	(4)	(4)		
5	15421-KYJ-900	SCREEN, OIL FILTER	1	1	1	1	1	1		
6	35600-425-023	SWITCH ASSY., NEUTRAL	1	1	1	1	1	1		
7	37700-KYJ-901	SENSOR ASSY., SPEED	1	1	1	1	1	1		
8	90014-KYJ-900	BOLT, FLANGE, 6X40 (NSHF)	11	11	11	11	11	11		
9	90016-KYJ-900	BOLT, FLANGE, 6X70 (NSHF)	5	5	5	5	5	5		
10	90032-KYJ-900	BOLT, STUD, 10X178	4	4	4	4	4	4		
11	90061-KYJ-900	BOLT, DRAIN PLUG, 12MM	1	1	1	1	1	1		
	90131-883-000	BOLT, DRAIN PLUG, 12X15	1	1	1	1	1	1		
12	90443-KR0-000	WASHER, NEUTRAL SWITCH	1	1	1	1	1	1		
13	91301-KYJ-901	O-RING, 11.8X1.9	1	1	1	1	1	1		
14	94109-12000	WASHER, DRAIN PLUG, 12MM	1	1	1	1	1	1		
15	94301-12160	PIN A, DOWEL, 12X16	1	1	1	1	1	1		



Ref. No.	Part No.	Description	Reqd. QTY						Serial No.	Parts catalogue code
			CBR250R			CBR250RA				
			B	C	D	B	C	D		

16	94302-08140	PIN B, DOWEL, 8X14	2	2	2	2	2	2		
17	95701-06018-00	BOLT, FLANGE, 6X18	1	1	1	1	1	1		



KYJ8E1600

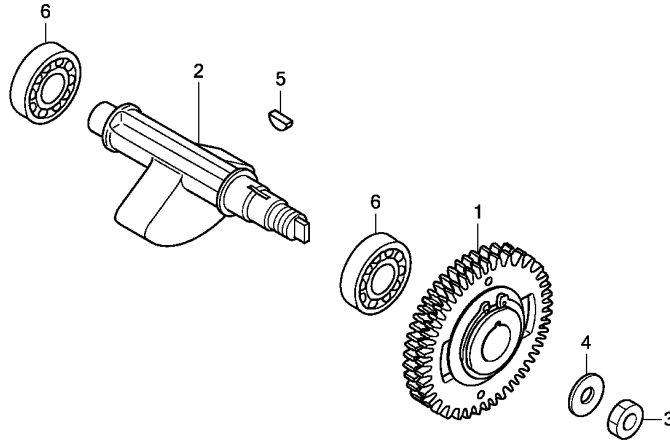
Ref. No.	L.O.N.	(Relative ref. Number) Description	F.R.T.
1	1101B5	CRANKSHAFTINCLUDES: Engine removal and installation (2,4,5)	5.9
3	111103	PISTON RING AND/OR PISTON(ONE)INCLUDES: Engine removal and installation	4.1
6	110183	GEAR, BALANCER DRIVEINCLUDES: Engine removal and installation	4.3
7	1101C8	SPROCKET, TIMINGINCLUDES: Engine removal and installation	4.3
8	211105	GEAR, PRIMARY DRIVEINCLUDES: Engine removal and installation	1.3

Ref. No.	Part No.	Description	Reqd. QTY						Serial No.	Parts catalogue code
			CBR250R			CBR250RA				
			B	C	D	B	C	D		
1	13000-KYJ-900	CRANKSHAFT COMP.	1	1	1	1	1	1		
2	13010-KYJ-305	RING SET, PISTON(STD.)	1	1	1	1	1	1		
3	13101-KYJ-900	PISTON(STD.)INCLUDES: Engine removal and installation	1	1	1	1	1	1		
4	13111-MEL-000	PIN, PISTONINCLUDES: Engine removal and installation	1	1	1	1	1	1		
5	13112-KYJ-900	CLIP, PISTON PIN, 17MMINCLUDES: Engine removal and installation	2	2	2	2	2	2		
6	13417-KYJ-900	GEAR, BALANCER DRIVE(34T) ...	1	1	1	1	1	1		
7	14311-KYJ-900	SPROCKET, TIMING(17T)INCLUDES: Engine removal and installation	1	1	1	1	1	1		
8	23121-KYJ-900	GEAR, PRIMARY DRIVE(26T)INCLUDES: Engine removal and installation	1	1	1	1	1	1		
9	90235-KPF-900	NUT, LOCK, 16MMINCLUDES: Engine removal and installation	1	1	1	1	1	1		
10	90434-KPS-900	WASHER, 16MMINCLUDES: Engine removal and installation	1	1	1	1	1	1		
11	90742-KYJ-900	KEY, WOODRUFF, 25X18INCLUDES: Engine removal and installation	1	1	1	1	1	1		

E-16-10

BALANCER SHAFT

H 4

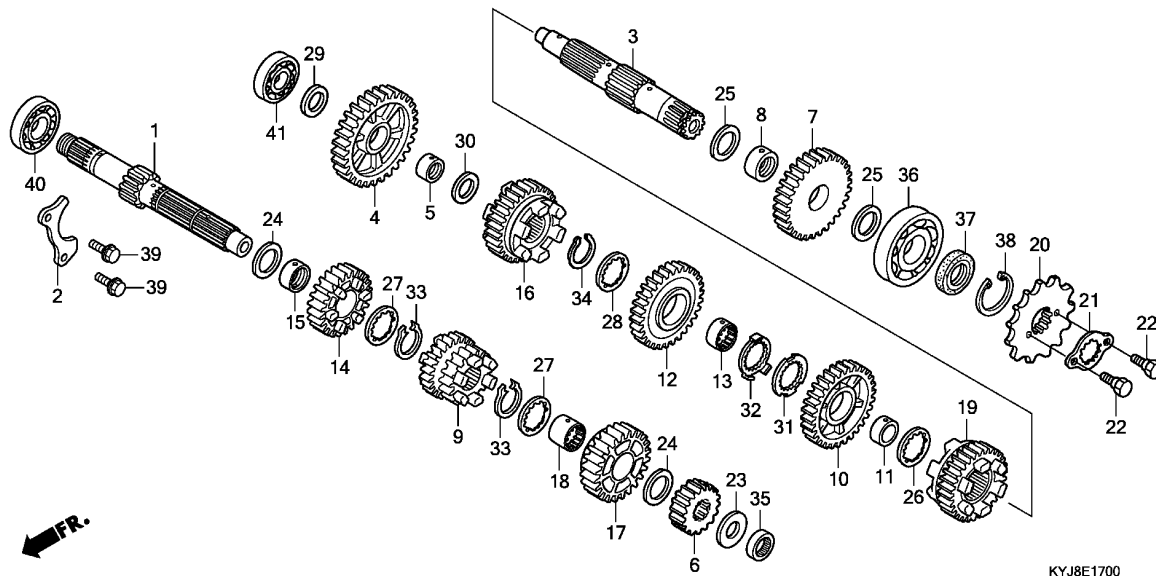


Ref. No.	L.O.N.	(Relative ref. Number) Description	F.R.T.
1	1101L5	GEAR, BALANCER DRIVENINCLUDES: Engine removal and installation	4.4
2	110185	SHAFT, BALANCERINCLUDES: Engine removal and installation	5.3
6	1101G3	BEARING, BALANCER SHAFT :LEFT .INCLUDES: Engine removal and installation	5.5
	1101G4	BEARING, BALANCER SHAFT :RIGHT .INCLUDES: Engine removal and installation	5.5
	1101G5	BEARING, BALANCER SHAFT :BOTH .INCLUDES: Engine removal and installation	5.7

KYJ8E1610

Ref. No.	Part No.	Description	Reqd. QTY						Serial No.	Parts catalogue code
			CBR250R			CBR250RA				
			B	C	D	B	C	D		
1	13410-KYJ-901	GEAR ASSY., BALANCER DRIVEN (34T)	1	1	1	1	1	1		
2	13421-KYJ-900	SHAFT, BALANCER	1	1	1	1	1	1		
3	90204-MN5-000	NUT, HEX., 14MM	1	1	1	1	1	1		
4	90433-MEY-670	WASHER, 14.2X24	1	1	1	1	1	1		
5	90741-KFB-000	KEY, WOODRUFF, 4MM	1	1	1	1	1	1		
6	91008-KYJ-901	BEARING, RADIAL BALL, 6204 (SPECIAL)	2	2	2	2	2	2		

2

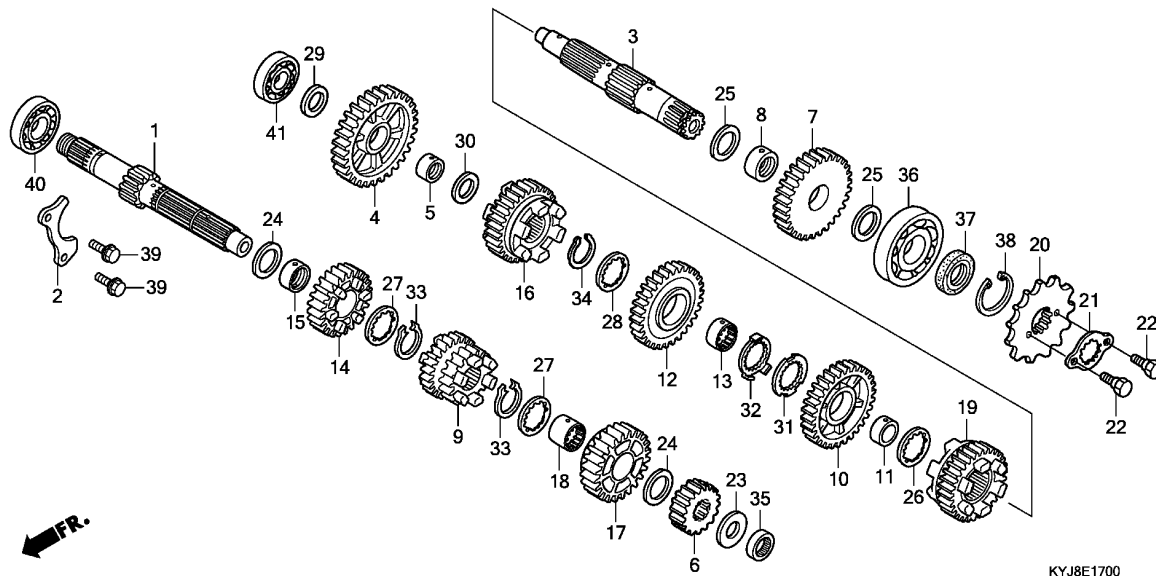


Ref. No.	L.O.N.	(Relative ref. Number) Description	F.R.T.
1		(6,9,14,17)	
210141		MAINSHAFT, TRANSMISSIONINCLUDES: Engine removal and installation	5.5
210141A		.Replace countershaft add	0.2
3		(4,7,10,12,16,19)	
210142		COUNTERSHAFT, TRANSMISSIONINCLUDES: Engine removal and installation	5.5
210142A		.Replace mainshaft add	0.2
20	213135	SPROCKET, DRIVE	0.3
35	2101C2	BEARING, MAINSHAFT :LEFTINCLUDES: Engine removal and installation	5.5
36	2101C7	BEARING, COUNTERSHAFT :LEFT .. .INCLUDES: Engine removal and installation	5.5
40	2101C5	BEARING, MAINSHAFT :RIGHTINCLUDES: Engine removal and installation	5.5
	2101C6	BEARING, MAINSHAFT :BOTHINCLUDES: Engine removal and installation	5.7
+41	2101C8	BEARING, COUNTERSHAFT :RIGHT -	5.5

KYJ8E1700

Ref. No.	Part No.	Description	Reqd. QTY						Serial No.	Parts catalogue code
			CBR250R			CBR250RA				
			B	C	D	B	C	D		
1	23211-KYJ-900	MAINSHAFT(12T)	1	1	1	1	1	1		
2	23212-KYJ-900	PLATE, BEARING SETTING	1	1	1	1	1	1		
3	23221-KYJ-900	COUNTERSHAFT	1	1	1	1	1	1		
4	23411-KYJ-900	GEAR, COUNTERSHAFT FIRST(40T)	1	1	1	1	1	1		
5	23412-KYJ-900	COLLAR, 20X23X10.5	1	1	1	1	1	1		
6	23421-KYJ-900	GEAR, MAINSHAFT SECOND(17T) -	1	1	1	1	1	1		
7	23431-KYJ-900	GEAR, COUNTERSHAFT SECOND(36T)	1	1	1	1	1	1		
8	23432-KYJ-900	COLLAR, 22X25X11	1	1	1	1	1	1		
9	23441-KYJ-900	GEAR, MAINSHAFT THIRD & FOURTH (21T/23T)	1	1	1	1	1	1		
10	23451-KYJ-900	GEAR, COUNTERSHAFT THIRD(33T)	1	1	1	1	1	1		
11	23452-KYJ-900	COLLAR, 25X28X10	1	1	1	1	1	1		
12	23471-KYJ-900	GEAR, COUNTERSHAFT FOURTH(30T)	1	1	1	1	1	1		
13	23472-KYJ-900	COLLAR, SPLINE, 25X10	1	1	1	1	1	1		
14	23481-KYJ-900	GEAR, MAINSHAFT FIFTH(26T) ..	1	1	1	1	1	1		
15	23482-KYJ-900	BUSH, 20X23X17.4	1	1	1	1	1	1		
16	23491-KYJ-900	GEAR, COUNTERSHAFT FIFTH(29T)	1	1	1	1	1	1		
17	23501-KYJ-900	GEAR, MAINSHAFT SIXTH(27T) ..	1	1	1	1	1	1		
18	23502-KYJ-900	COLLAR, SPLINE, 23MM	1	1	1	1	1	1		
19	23511-KYJ-900	GEAR, COUNTERSHAFT SIXTH(26T)	1	1	1	1	1	1		
20	23801-KYJ-900	SPROCKET, DRIVE(14T)	1	1	1	1	1	1		
21	23802-KYJ-900	PLATE, FIXING	1	1	1	1	1	1		
22	90084-041-000	BOLT, DRIVE SPROCKET FIXING ..	2	2	2	2	2	2		
23	90405-KYJ-900	WASHER, 17X26X1.0	1	1	1	1	1	1		
24	90406-KYJ-900	WASHER, 20X27X1.0	2	2	2	2	2	2		

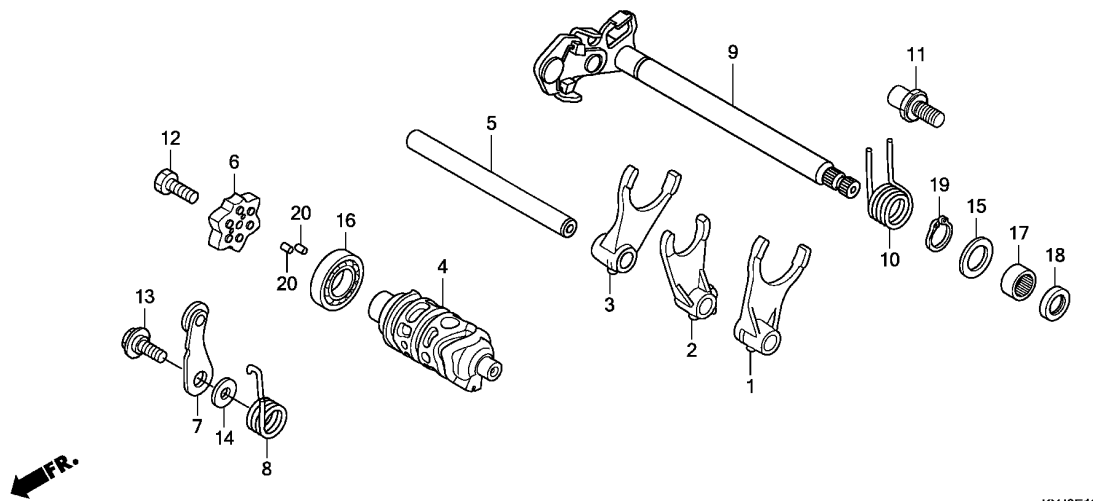
2



Ref. No.	L.O.N.	(Relative ref. Number) Description	F.R.T.
+41		.INCLUDES: Engine removal and installation	
2101C9		BEARING, COUNTERSHAFT :BOTH ..	5.7
2101D4		BEARING, MAINSHAFT AND COUNTERSHAFT :ALL	5.9
		.INCLUDES: Engine removal and installation	

Ref. No.	Part No.	Description	Reqd. QTY						Serial No.	Parts catalogue code
			CBR250R			CBR250RA				
			B	C	D	B	C	D		
25	90407-KYJ-900	WASHER, 22X29X1.0	2	2	2	2	2	2		
26	90408-KYJ-900	WASHER, 25X32X1.0	1	1	1	1	1	1		
27	90451-KYJ-900	WASHER, SPLINE, 20X26X1.6 ...	2	2	2	2	2	2		
28	90452-KYJ-900	WASHER, SPLINE, 25X31X1.0 ...	1	1	1	1	1	1		
29	90453-KYJ-900	WASHER, 17X28X1.0	1	1	1	1	1	1		
30	90454-KPS-900	WASHER B, THRUST, 20MM	1	1	1	1	1	1		
31	90454-KYJ-900	WASHER, SPLINE, 25X42X1.6 ...	1	1	1	1	1	1		
32	90455-KYJ-900	WASHER, LOCK, 25MM	1	1	1	1	1	1		
33	90601-KYJ-900	CIRCLIP, EXTERNAL, 20MM	2	2	2	2	2	2		
34	90602-KYJ-900	CIRCLIP, EXTERNAL, 25MM	1	1	1	1	1	1		
35	91003-KYJ-901	BEARING, NEEDLE, 17X27X13 ...	1	1	1	1	1	1		
36	91005-KYJ-901	BEARING, RADIAL BALL (63/22) ..	1	1	1	1	1	1		
37	91207-KYJ-901	OIL SEAL, 22X36X5	1	1	1	1	1	1		
38	94520-37000	CIRCLIP, INTERNAL, 37MM	1	1	1	1	1	1		
39	95701-06014-00	BOLT, FLANGE, 6X14	2	2	2	2	2	2		
40	96100-63040-00	BEARING, RADIAL BALL, 6304 ..	1	1	1	1	1	1		
41	96140-62030-00	BEARING, RADIAL BALL, 6203U ..	1	1	1	1	1	1		

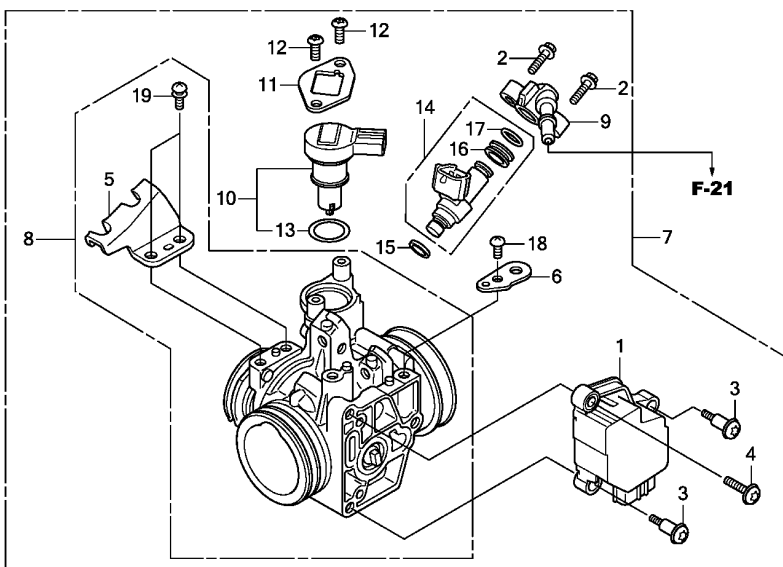




KYJ8E1900

Ref. No.	L.O.N.	(Relative ref. Number) Description	F.R.T.
1		(2,3)	
210112		FORK, GEARSHIFTINCLUDES: Engine removal and installation .NOTE: Same time for two units or more	5.5
4	2101A9	DRUM, GEARSHIFTINCLUDES: Engine removal and installation	5.5
6	2101D6	PLATE, GEARSHIFT DRUM STOPPER (8)	1.4
7	210125	STOPPER OR SPRING, SHIFT DRUM (10)	1.5
9	210122	SPINDLE, GEARSHIFT	1.4
18	1101F9	OIL SEAL, GEARSHIFT SPINDLE ..	1.4

Ref. No.	Part No.	Description	Reqd. QTY						Serial No.	Parts catalogue code
			CBR250R			CBR250RA				
			B	C	D	B	C	D		
1	24211-KYJ-900	FORK, L. GEARSHIFT	1	1	1	1	1	1		
2	24212-KYJ-900	FORK, CENTER GEARSHIFT	1	1	1	1	1	1		
3	24213-KYJ-900	FORK, R. GEARSHIFT	1	1	1	1	1	1		
4	24301-KYJ-900	DRUM, GEARSHIFT	1	1	1	1	1	1		
5	24321-KYJ-900	SHAFT, GEARSHIFT FORK	1	1	1	1	1	1		
6	24410-KYJ-900	PLATE COMP., GEARSHIFT DRUM STOPPER	1	1	1	1	1	1		
7	24430-KGH-901	STOPPER COMP., GEARSHIFT DRUM	1	1	1	1	1	1		
8	24435-KYJ-900	SPRING, DRUM STOPPER	1	1	1	1	1	1		
9	24610-KYJ-900	SPINDLE COMP., GEARSHIFT	1	1	1	1	1	1		
10	24651-KRM-840	SPRING, GEARSHIFT RETURN	1	1	1	1	1	1		
11	24652-KSP-910	PIN, SHIFT RETURN SPRING	1	1	1	1	1	1		
12	90003-KVS-900	BOLT, HEX., 6X20	1	1	1	1	1	1		
13	90022-MG8-000	PIVOT, SHIFT DRUM STOPPER ARM	1	1	1	1	1	1		
14	90435-HB3-000	WASHER, 6.1MM	1	1	1	1	1	1		
15	90457-KRM-840	WASHER, 14MM	1	1	1	1	1	1		
16	91015-MCA-003	BEARING, RADIAL BALL, 6905 ..	1	1	1	1	1	1		
17	91101-121-691	BEARING, NEEDLE, 14MM(TOYO) ..	1	1	1	1	1	1		
18	91203-KSP-911	OIL SEAL, 14X22X5	1	1	1	1	1	1		
19	94510-14000	CIRCLIP, EXTERNAL, 14MM	1	1	1	1	1	1		
20	96220-30085	ROLLER, 3X8.5	2	2	2	2	2	2		

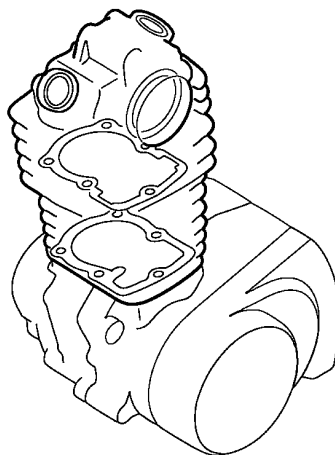
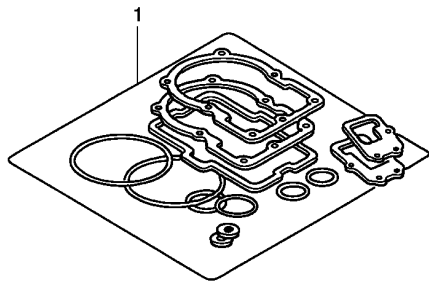


KYJ8E2300

Ref. No.	L.O.N.	(Relative ref. Number) Description	F.R.T.
1	617115	SENSOR, THROTTLE	1.3
7	311132	BODY ASSY., THROTTLE	1.2
8	311130	BODY, THROTTLE	1.3
10		(13)	
14	3111N5	VALVE, IDLE AIR CONTROL	0.6
		(9,15,17)	
	311145	INJECTOR, FUEL	0.9

Ref. No.	Part No.	Description	Reqd. QTY						Serial No.	Parts catalogue code
			CBR250R			CBR250RA				
			B	C	D	B	C	D		
1	16060-KYJ-901	SENSOR SET	1	1	1	1	1	1		
2	16080-KPH-701	BOLT, FLANGE, 5X20	2	2	2	2	2	2		
3	16081-KYJ-901	SCREW, TORX, 5X8.7	2	2	2	2	2	2		
4	16082-KYJ-901	SCREW, TORX, 5X17	1	1	1	1	1	1		
5	16169-MFR-671	STAY, WIRE	1	1	1	1	1	1		
6	16196-HP6-A01	STAY, HARNESS CLAMPER	1	1	1	1	1	1		
7	16400-KYJ-901	THROTTLE BODY ASSY.(GQ9JA A)	1	1	1	1	1	1		
8	16410-KYJ-901	BODY SET	1	1	1	1	1	1		
9	16422-HP5-602	JOINT, INJECTOR	1	1	1	1	1	1		
10	16430-KYJ-901	VALVE SET, IDLE AIR CONTROL	1	1	1	1	1	1		
11	16432-HP5-601	PLATE, IDLE AIR CONTROL VALVE	1	1	1	1	1	1		
12	16433-HN8-A61	SCREW, TORX	2	2	2	2	2	2		
13	16435-HN8-A61	O-RING, 17.8X1.9	1	1	1	1	1	1		
14	16450-MFE-641	INJECTOR ASSY., FUEL	1	1	1	1	1	1		
15	16472-MCW-000	SEAL RING, INJECTOR	1	1	1	1	1	1		
16	16473-P7A-004	CUSHION RING, INJECTOR	1	1	1	1	1	1		
17	91301-P7A-004	O-RING, 7.8X1.9	1	1	1	1	1	1		
18	93500-05010-1H	SCREW, PAN, 5X10	1	1	1	1	1	1		
19	93892-05012-18	SCREW-WASHER, 5X12	2	2	2	2	2	2		





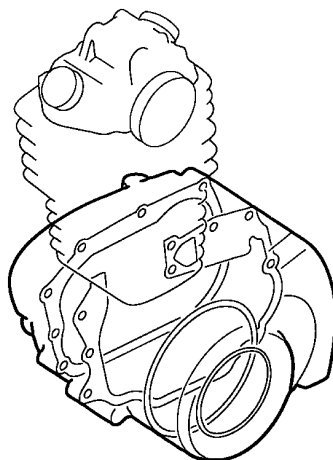
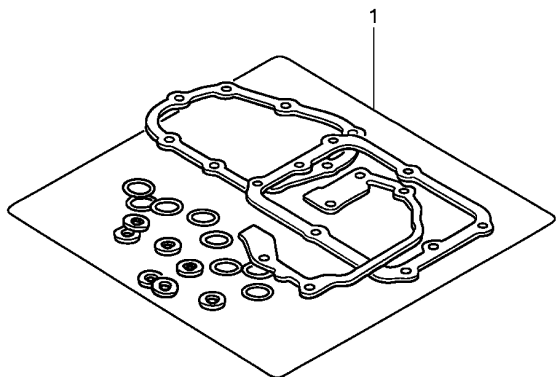
KYJ8X0100

Ref. L.O.N. (Relative ref. Number) F.R.T.
No. Description

NO INFORMATION

FR.

Ref. No.	Part No.	Description	Reqd. QTY						Serial No.	Parts catalogue code
			CBR250R			CBR250RA				
			B	C	D	B	C	D		
1	06111-KYJ-900	GASKET KIT A								
		(COMPONENT PARTS)								
	12191-KYJ-900	GASKET, CYLINDER	1	1	1	1	1	1		
	12251-KYJ-901	GASKET, CYLINDER HEAD	1	1	1	1	1	1		
	12391-KYJ-901	GASKET COMP., CYLINDER HEAD								
		COVER	1	1	1	1	1	1		
	14560-KGH-900	GASKET, TENSIONER LIFTER	1	1	1	1	1	1		
	18291-MEB-670	GASKET, EX. PIPE	1	1	1	1	1	1		
	18392-KYJ-901	PACKING, MUFFLER	1	1	1	1	1	1		
	90543-MV9-670	RUBBER, MOUNTING	1	1	1	1	1	1		
	91306-MG3-000	O-RING, 1.5X9.5	1	1	1	1	1	1		



KYJ8X0200

FR.

Ref. L.O.N. (Relative ref. Number) F.R.T.
No. Description

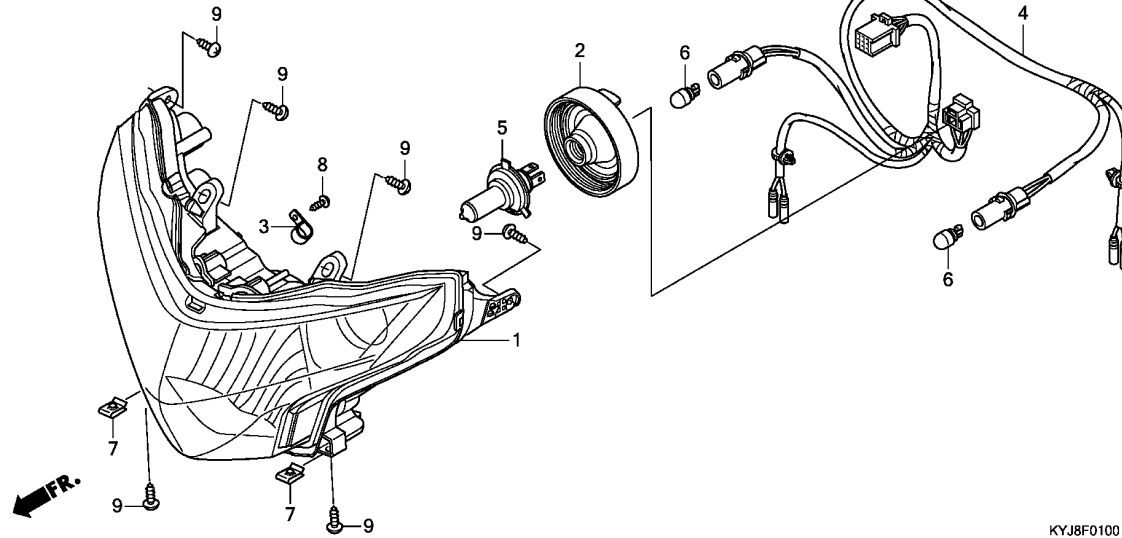
NO INFORMATION

Ref. No.	Part No.	Description	Reqd. QTY						Serial No.	Parts catalogue code
			CBR250R			CBR250RA				
			B	C	D	B	C	D		
1	06112-KYJ-900	GASKET KIT B								
		(COMPONENT PARTS)								
	11394-KYJ-900	GASKET, R. CRANKCASE COVER ..	1	1	1	1	1	1		
	11395-KYJ-900	GASKET, L. CRANKCASE COVER ..	1	1	1	1	1	1		
	15119-KYJ-901	GASKET, OIL PUMP	1	1	1	1	1	1		
	15412-KYJ-901	GASKET, OIL FILTER COVER	1	1	1	1	1	1		
	19226-KYJ-901	GASKET, WATER PUMP COVER	1	1	1	1	1	1		
	90443-KR0-000	WASHER, NEUTRAL SWITCH	1	1	1	1	1	1		
	91301-KYJ-901	O-RING, 11.8X1.9	5	5	5	5	5	5		
	91302-KYJ-901	O-RING, 9.8X2.4	2	2	2	2	2	2		
	91303-377-000	O-RING, 13.8X2.5	1	1	1	1	1	1		
	91307-035-000	O-RING, 18X3	1	1	1	1	1	1		
	91309-425-003	O-RING, 24.4X3.1(ARAI)	1	1	1	1	1	1		
	91322-PT0-004	O-RING, 17.8X1.9(ARAI)	1	1	1	1	1	1		
	91356-KGH-901	O-RING, 30MM	1	1	1	1	1	1		
	94109-12000	WASHER, DRAIN PLUG, 12MM	1	1	1	1	1	1		

F-1

HEADLIGHT

11



Ref. No.	L.O.N.	(Relative ref. Number) Description	F.R.T.
1	6161A7	HEADLIGHT UNIT	0.8
4	6161B1	SOCKET, HEADLIGHT	0.7
5		(2)	
	616118	BULB, HEADLIGHT	0.1
6	616182	BULB, POSITION LIGHT	0.1
.NOTE: Same time for two units			

KYJ8F0100

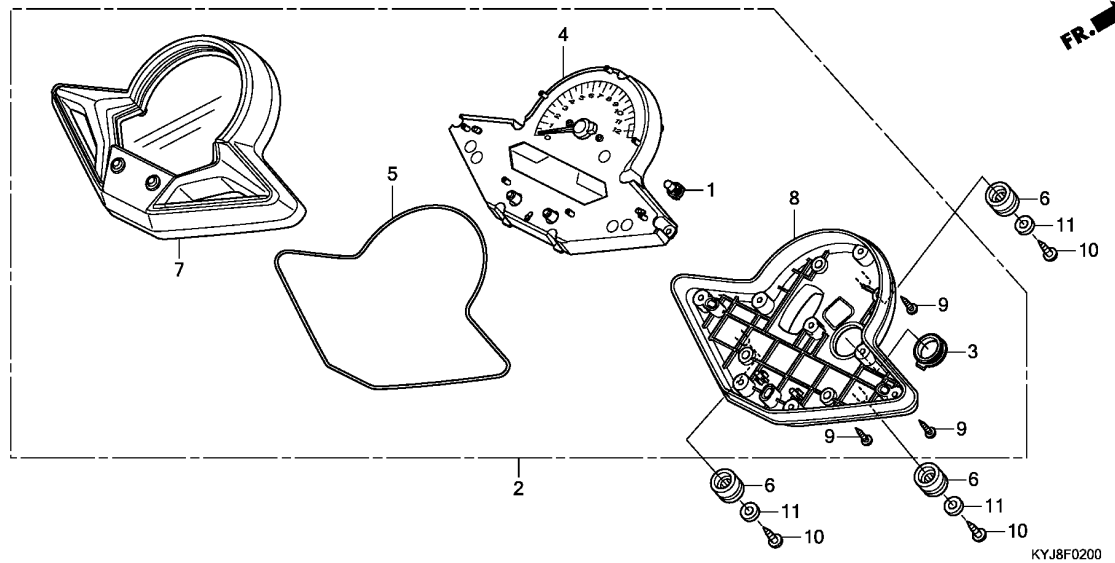
Ref. No.	Part No.	Description	Reqd. QTY						Serial No.	Parts catalogue code
			CBR250R			CBR250RA				
			B	C	D	B	C	D		
1	33110-KYJ-881	HEADLIGHT UNIT COMP.	1	1	1	1	1	1		
2	33112-KWR-003	COVER, RUBBER	1	1	1	1	1	1		
3	33116-KPP-T01	CLAMP, CORD	1	1	1	1	1	1		
4	33150-KYJ-901	SOCKET COMP.	1	1	1	1	1	1		
5	34901-KWR-003	BULB, HEADLIGHT(H4) (12V 60/55W)(KOITO)	1	1	1	1	1	1		
6	34908-SB6-003	BULB(12V 5W)(KOITO)	2	2	2	2	2	2		
7	90344-KPL-900	NUT, CLIP, 5MM	2	2	2	2	2	2		
8	93901-34320	SCREW, TAPPING, 4X12	1	1	1	1	1	1		
9	93903-25380	SCREW, TAPPING, 5X16	6	6	6	6	6	6		

3

F-2

METER

12



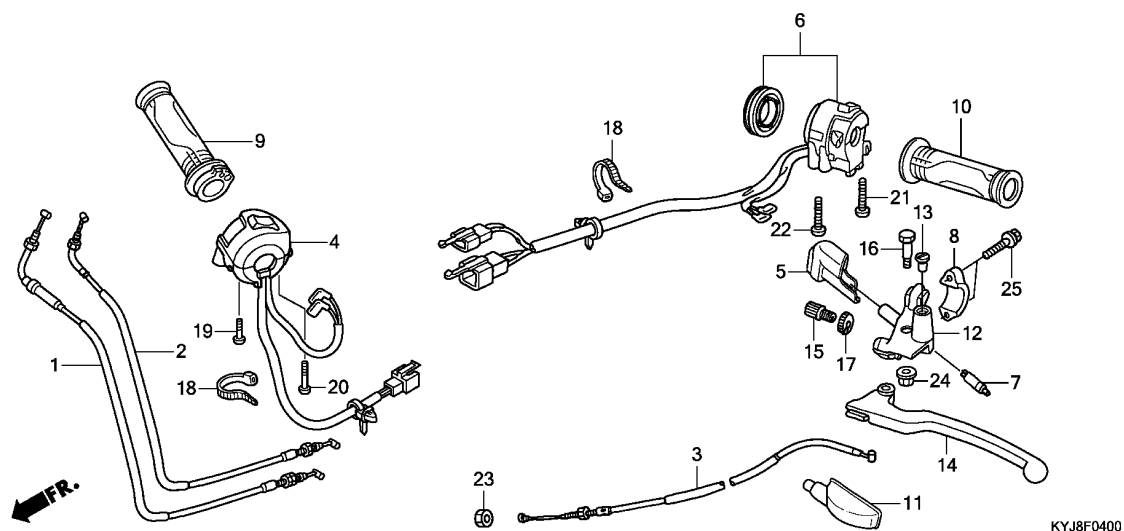
Ref. No.	L.O.N.	(Relative ref. Number) Description	F.R.T.
2	8121A1	METER ASSY., COMBINATION	0.7
4	8121A2	METER, COMBINATION	0.8
7		(5)	
	8121B4	CASE, METER :UPPER	0.7
8	8121B5	CASE, METER :LOWER	0.7

Ref. No.	Part No.	Description	Reqd. QTY						Serial No.	Parts catalogue code
			CBR250R			CBR250RA				
			B	C	D	B	C	D		
1	35505-KPP-T01	BULB & SOCKET ASSY.(12V 1.7W)	1	1	1	1	1	1		
2	37100-KYJ-902	METER ASSY., COMBINATION(KPH)	1	1	1	-	-	-		
	37100-KYJ-912	-	-	-	1	1	1		
3	37105-KPP-T01	CAP	1	1	1	1	1	1		
4	37110-KYJ-902	METER ASSY., SPEED & TACHO & FUEL	1	1	1	-	-	-		
	37110-KYJ-912	-	-	-	1	1	1		
5	37180-KPP-T01	GASKET	1	1	1	1	1	1		
6	37244-KVK-900	RUBBER, METER MOUNTING	3	3	3	3	3	3		
7	37610-KYJ-901	CASE ASSY., UPPER	1	1	1	1	1	1		
8	37620-KYJ-901	CASE ASSY., UNDER	1	1	1	1	1	1		
9	93903-22480	SCREW, TAPPING, 3X16	8	8	8	8	8	8		
10	93913-25380	SCREW, TAPPING, 5X14(PO)	3	3	3	3	3	3		
11	94103-05700	WASHER, PLAIN, 5MM	3	3	3	3	3	3		

3

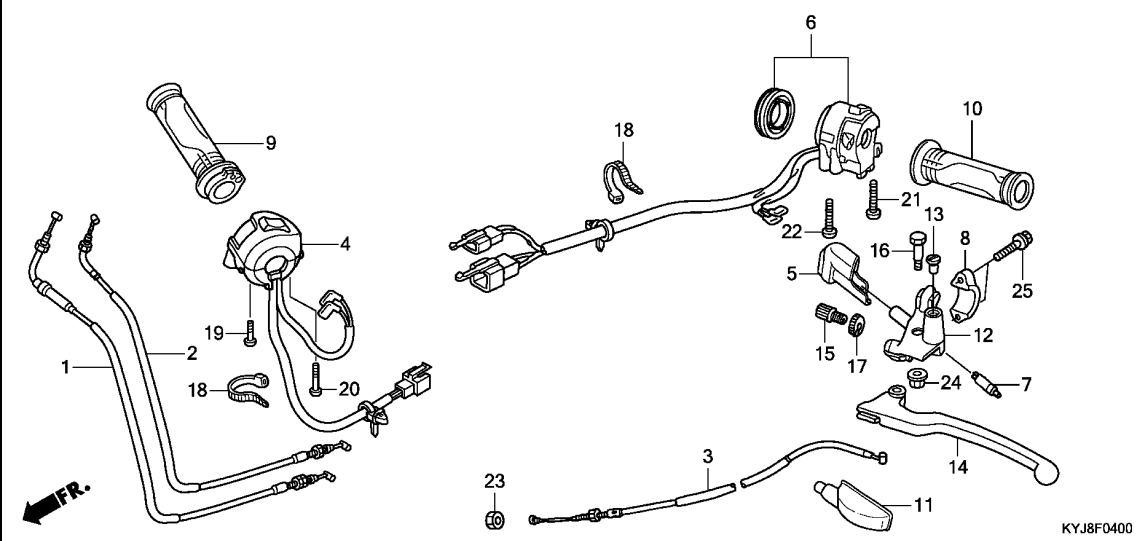
F-4

HANDLE LEVER/SWITCH/CABLE



Ref. No.	L.O.N.	(Relative ref. Number) Description	F.R.T.
1		(2)	
1	811100	CABLE, THROTTLE	0.8
.NOTE: Same time for two units			
3	811115	CABLE, CLUTCH	0.3
4	615120	SWITCH, STARTER KILL	0.9
6	615118	SWITCH, WINKER	0.8
7	6151A9	SWITCH, CLUTCH	0.1
9	810150	GRIP, THROTTLE	0.3
10	8101C0	GRIP, HANDLE :LEFT	0.1
12	8101C8	BRACKET, HANDLE LEVER :LEFT ..	0.2
14	8101C6	LEVER, HANDLE :LEFT	0.1
	8101F5	LEVER, HANDLE :BOTH	0.2

Ref. No.	Part No.	Description	Reqd. QTY						Serial No.	Parts catalogue code
			CBR250R			CBR250RA				
			B	C	D	B	C	D		
1	17910-KYJ-901	CABLE COMP. A, THROTTLE	1	1	1	1	1	1		
2	17920-KYJ-901	CABLE COMP. B, THROTTLE	1	1	1	1	1	1		
3	22870-KYJ-900	CABLE COMP., CLUTCH	1	1	1	1	1	1		
4	35130-KYJ-902	SWITCH ASSY., STARTER & ENGINE STOP	1	1	-	1	1	-		
	35150-KYJ-972	SWITCH ASSY., STARTER LIGHTING KILL	-	-	1	-	-	1	-----	----- 3IN,4IN,IN
	35130-KYJ-902	SWITCH ASSY., STARTER & ENGINE STOP	-	-	1	-	-	1	-----	----- 3KO,3MA,3U,4MA,4U,5MA,5U,6U,KO,MA,U
			-	-	-	-	-	-	-----	----- 3MA,3U,4KO,4MA,4U,5MA,5U,6U,MA,U
5	35152-KRY-970	COVER, CLUTCH SWITCH	1	1	1	1	1	1		
6	35200-KYJ-902	SWITCH ASSY., WINKER	1	1	1	1	1	1		
	35200-KYJ-901	1	-	-	1	-	-		
7	35330-KYJ-901	SWITCH COMP., FR. LEVER	1	1	1	1	1	1		
8	45517-KCW-870	HOLDER, MASTER CYLINDER	1	1	1	1	1	1		
9	53140-KYJ-900	GRIP COMP., THROTTLE	1	1	1	1	1	1		
10	53166-KYJ-900	GRIP, L. HANDLE	1	1	1	1	1	1		
11	53172-402-700	COVER, L. HANDLE LEVER	1	1	1	1	1	1		
12	53172-KYJ-900	BRACKET, HANDLE LEVER	1	1	1	1	1	1		
13	53174-116-670	PLUG, HANDLE LEVER BRACKET ..	1	1	1	1	1	1		
14	53178-KVO-000	LEVER COMP., L. HANDLE	1	1	1	1	1	1		
15	53192-268-000	BOLT, WIRE ADJUSTING	1	1	1	1	1	1		
16	90113-438-000	BOLT, L. STEERING HANDLE LEVER PIVOT	1	1	1	1	1	1		
17	90321-315-670	NUT, FIXING	1	1	1	1	1	1		
18	90651-KV6-003	BAND, WIRE, 165MM(BLACK)	2	2	2	2	2	2		

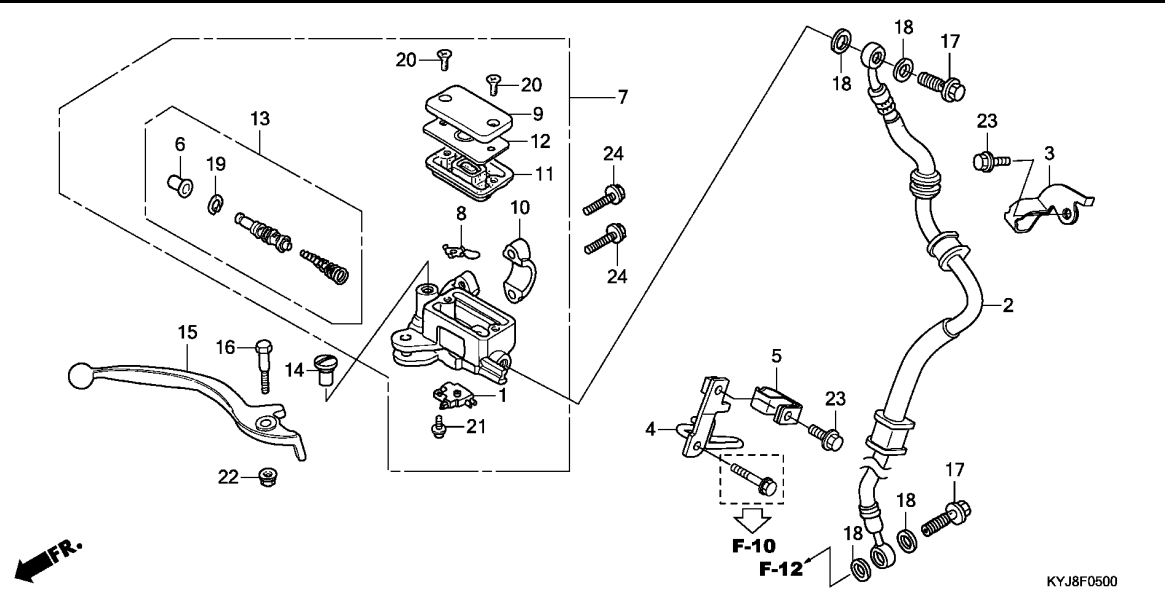


Ref. No.	Part No.	Description	Reqd. QTY						Serial No.	Parts catalogue code
			CBR250R			CBR250RA				
			B	C	D	B	C	D		
19	93892-05020-07	SCREW-WASHER, 5X20	1	1	1	1	1	1		
20	93892-05025-07	SCREW-WASHER, 5X25	1	1	1	1	1	1		
21	93892-05035-07	SCREW-WASHER, 5X35	1	1	1	1	1	1		
22	93892-05045-07	SCREW-WASHER, 5X45	1	1	1	1	1	1		
23	94030-08000	NUT, HEX., 8MM	1	1	1	1	1	1		
24	94050-06000	NUT, FLANGE, 6MM	1	1	1	1	1	1		
25	96001-06022-07	BOLT, FLANGE, 6X22	2	2	2	2	2	2		

F-5

FRONT BRAKE MASTER CYLINDER(CBR250R)

15



Ref. No.	L.O.N.	(Relative ref. Number) Description	F.R.T.
1	6151B2	SWITCH, FRONT STOP	0.1
2	7121A0	HOSE, FRONT BRAKE	0.4
		.INCLUDES: Bleed brakes	
7	712105	CYLINDER, FRONT BRAKE MASTER	0.4
		.INCLUDES: Bleed brakes	
11	7121G6	DIAPHRAGM, FRONT BRAKE MASTER	0.1
13	7121G9	PISTON SET, FRONT BRAKE MASTER	0.4
		.INCLUDES: Bleed brakes	
15	8101C7	LEVER, HANDLE :RIGHT	0.1
	8101F5	LEVER, HANDLE :BOTH	0.2

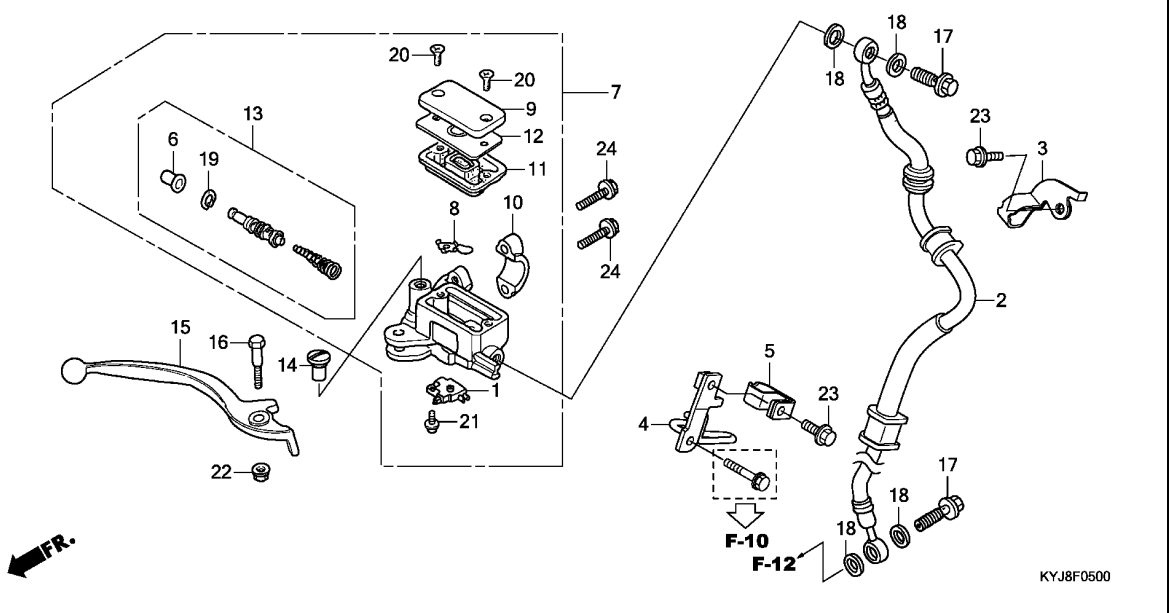
3

Ref. No.	Part No.	Description	Reqd. QTY						Serial No.	Parts catalogue code
			CBR250R			CBR250RA				
			B	C	D	B	C	D		
1	35340-MM5-600	SWITCH ASSY., FR. STOP	1	1	1	-	-	-		
2	45125-KYJ-901	HOSE COMP., FR. BRAKE	1	1	-	-	-	-		
	45125-KYJ-D21	-	-	1	-	-	-		
3	45155-KYJ-900	CLAMPER, FR. BRAKE HOSE	1	1	1	-	-	-		
4	45156-KYJ-900	STAY, BRAKE HOSE CLAMP	1	1	1	-	-	-		
5	45157-KYJ-900	CLAMPER B, FR. BRAKE HOSE ...	1	1	1	-	-	-		
6	45504-410-003	BOOT COMP.	1	1	1	-	-	-		
7	45510-KYJ-901	CYLINDER SUB ASSY., FR. BRAKE MASTER	1	1	-	-	-	-		
	45510-KYJ-D21	-	-	1	-	-	-		
8	45512-MA6-006	PROTECTOR	1	1	1	-	-	-		
9	45513-HA2-006	CAP, MASTER CYLINDER	1	1	1	-	-	-		
10	45517-166-006	HOLDER, MASTER CYLINDER	1	1	1	-	-	-		
11	45520-MG7-006	DIAPHRAGM	1	1	1	-	-	-		
12	45521-HA2-006	PLATE, DIAPHRAGM	1	1	1	-	-	-		
13	45530-MN9-305	CYLINDER SET, MASTER	1	1	-	-	-	-		
	45530-KVY-911	-	-	1	-	-	-		
14	53174-116-670	PLUG, HANDLE LEVER BRACKET ..	1	1	1	-	-	-		
15	53175-KPP-T01	LEVER, R. STEERING HANDLE ...	1	1	1	-	-	-		
16	90114-KGH-900	BOLT, HANDLE LEVER PIVOT	1	-	-	-	-	-		
	90114-166-006	-	1	1	-	-	-		
17	90145-MS9-612	BOLT, OIL, 10X22	2	2	2	-	-	-		
18	90545-300-000	WASHER, OIL BOLT	4	4	4	-	-	-		
19	90651-MA5-671	CIRCLIP	1	1	1	-	-	-		
20	93600-04012-1G	SCREW, FLAT, 4X12	2	2	2	-	-	-		

F-5

FRONT BRAKE MASTER CYLINDER(CBR250R)

16



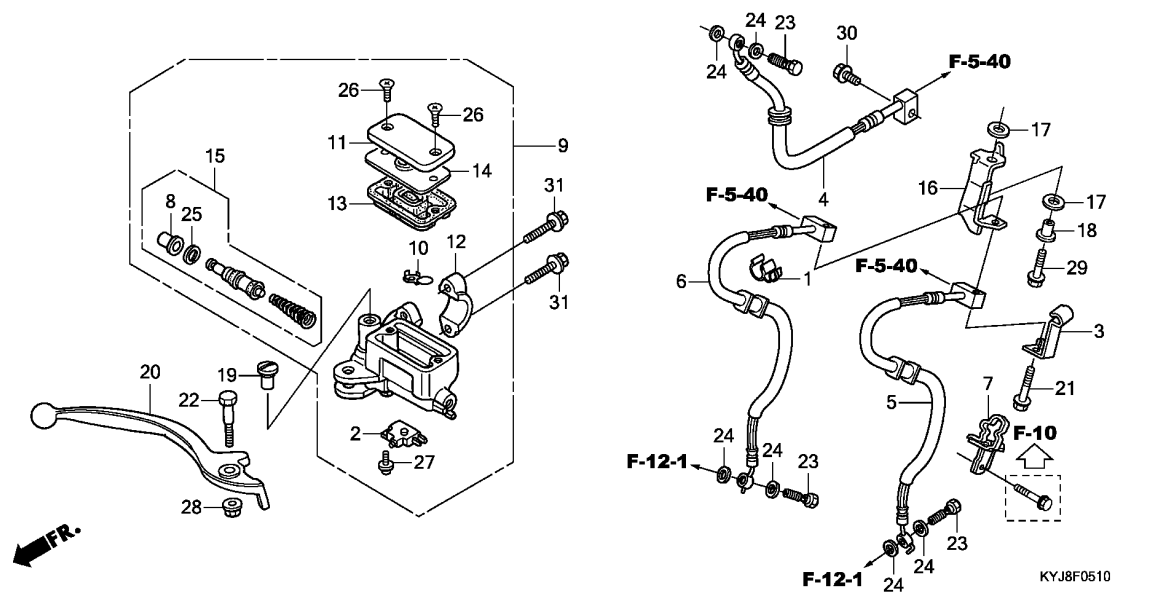
Ref. No.	Part No.	Description	Reqd. QTY						Serial No.	Parts catalogue code
			CBR250R			CBR250RA				
			B	C	D	B	C	D		
21	93893-04012-17	SCREW-WASHER, 4X12	1	1	1	-	-	-		
22	94050-06000	NUT, FLANGE, 6MM	1	1	1	-	-	-		
23	96001-06012-07	BOLT, FLANGE, 6X12	2	2	2	-	-	-		
24	96001-06022-07	BOLT, FLANGE, 6X22	2	2	2	-	-	-		

3

F-5-10

FRONT BRAKE MASTER CYLINDER(CBR250RA)

17



Ref. No.	L.O.N.	(Relative ref. Number) Description	F.R.T.
2	6151B2	SWITCH, FRONT STOP	0.1
4	712128	HOSE B, FRONT BRAKE	0.6
		.INCLUDES: Bleed brakes	
5	712127	HOSE A, FRONT BRAKE	0.4
		.INCLUDES: Bleed brakes	
6	7121A5	HOSE C, FRONT BRAKE	0.5
		.INCLUDES: Bleed brakes	
9	712105	CYLINDER, FRONT BRAKE MASTER	0.4
		.INCLUDES: Bleed brakes	
13	7121G6	DIAPHRAGM, FRONT BRAKE MASTER	0.1
		CYLINDER	
15	7121G9	PISTON SET, FRONT BRAKE MASTER	0.4
		.INCLUDES: Bleed brakes	
20	8101C7	LEVER, HANDLE :RIGHT	0.1
	8101F5	LEVER, HANDLE :BOTH	0.2

KYJ8F0510

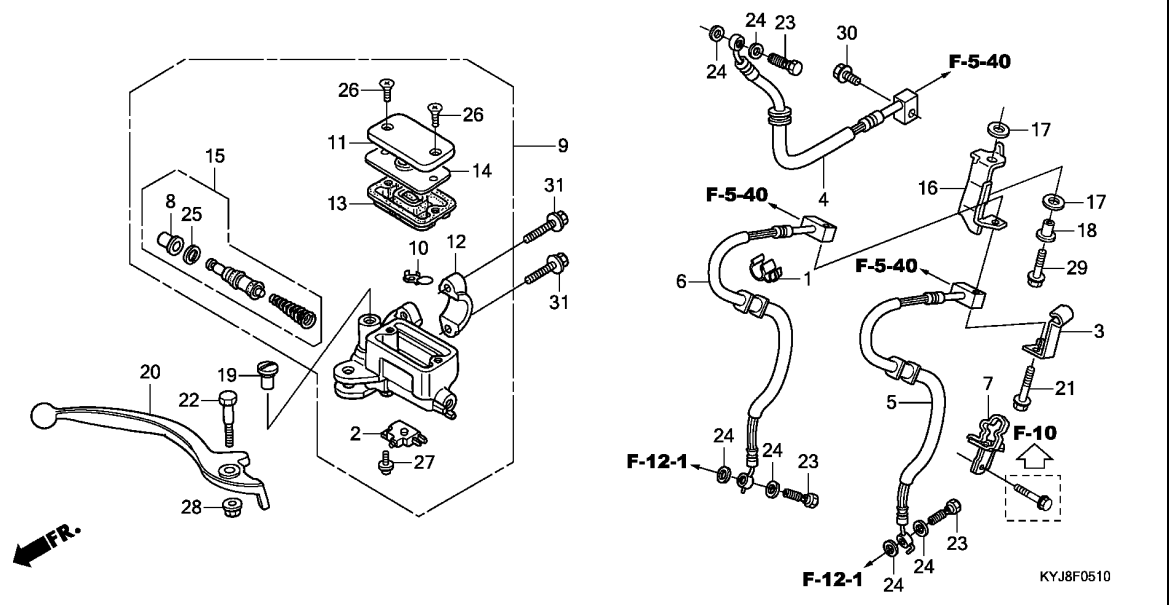
3

Ref. No.	Part No.	Description	Reqd. QTY						Serial No.	Parts catalogue code
			CBR250R			CBR250RA				
			B	C	D	B	C	D		
1	11152-KS4-003	CLAMP, PIPE	-	-	-	1	1	1		
2	35340-MM5-600	SWITCH ASSY., FR. STOP	-	-	-	1	1	1		
3	38526-KYJ-910	CLAMPER, SPEED SENSOR CORD FR.	-	-	-	1	1	1		
4	45125-KYJ-911	HOSE COMP. B, FR. BRAKE	-	-	-	1	1	-		
	45125-KYJ-E21	-	-	-	-	-	1		
5	45126-KYJ-911	HOSE COMP. A, FR. BRAKE	-	-	-	1	1	1		
6	45127-KYJ-911	HOSE COMP. C, FR. BRAKE	-	-	-	1	1	1		
7	45156-KYJ-910	CLAMPER B, FR. BRAKE HOSE	-	-	-	1	1	1		
8	45504-410-003	BOOT COMP.	-	-	-	1	1	1		
9	45510-KWF-951	CYLINDER SUB ASSY., FR. BRAKE	-	-	-	1	1	-		
		MASTER(NISSIN)	-	-	-	-	-	-		
	45510-KYJ-E21	CYLINDER SUB ASSY., FR. BRAKE	-	-	-	-	-	1		
10	45512-MA6-006	PROTECTOR	-	-	-	1	1	1		
11	45513-HA2-006	CAP, MASTER CYLINDER	-	-	-	1	1	1		
12	45517-166-006	HOLDER, MASTER CYLINDER	-	-	-	1	1	1		
13	45520-MG7-006	DIAPHRAGM	-	-	-	1	1	1		
14	45521-HA2-006	PLATE, DIAPHRAGM	-	-	-	1	1	1		
15	45530-471-831	CYLINDER SET, MASTER	-	-	-	1	1	1		
16	50246-KYJ-910	STAY, FR. BRAKE HOSE	-	-	-	1	1	1		
17	50248-KYJ-910	WASHER, RUBBER	-	-	-	2	2	2		
18	50249-KYJ-910	COLLAR 2WAY JOINT STAY	-	-	-	-	-	-		
		MOUNTING	-	-	-	1	1	1		
19	53174-116-670	PLUG, HANDLE LEVER BRACKET	-	-	-	1	1	1		
20	53175-KPP-T01	LEVER, R. STEERING HANDLE	-	-	-	1	1	1		

F-5-10

FRONT BRAKE MASTER CYLINDER(CBR250RA)

18



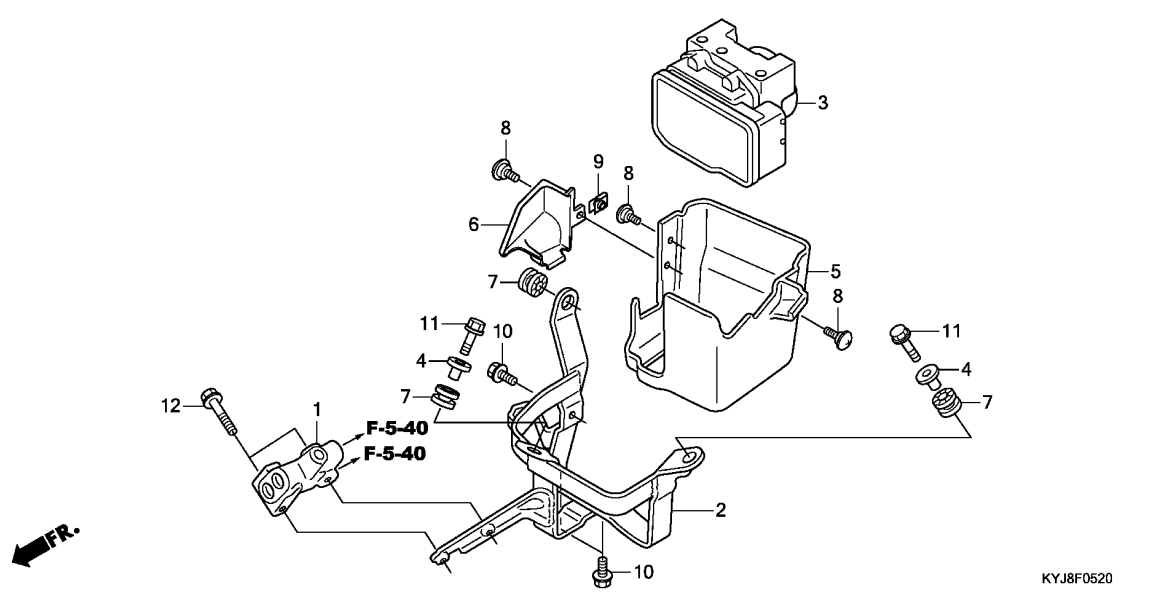
Ref. No.	Part No.	Description	Reqd. QTY						Serial No.	Parts catalogue code
			CBR250R			CBR250RA				
			B	C	D	B	C	D		
21	90114-GFM-970	BOLT, FLANGE, 6X32	-	-	-	1	1	1		
22	90114-166-006	BOLT, HANDLE LEVER PIVOT	-	-	-	1	1	1		
23	90145-MS9-612	BOLT, OIL, 10X22	-	-	-	3	3	3		
24	90545-300-000	WASHER, OIL BOLT	-	-	-	6	6	6		
25	90651-MA5-671	CIRCLIP	-	-	-	1	1	1		
26	93600-04012-16	SCREW, FLAT, 4X12	-	-	-	2	2	2		
27	93893-04012-17	SCREW-WASHER, 4X12	-	-	-	1	1	1		
28	94050-06000	NUT, FLANGE, 6MM	-	-	-	1	1	1		
29	95701-06020-07	BOLT, FLANGE, 6X20	-	-	-	1	1	1		
30	96001-06012-07	BOLT, FLANGE, 6X12	-	-	-	1	1	1		
31	96001-06022-07	BOLT, FLANGE, 6X22	-	-	-	2	2	2		

3

F-5-20

ABS MODULATOR

19



Ref. No.	L.O.N.	(Relative ref. Number) Description	F.R.T.
1	7121H2	VALVE, PROPORTIONING CONTROL . .INCLUDES: Bleed brakes	2.7
2	7111J8	BRACKET, ABS MODULATORINCLUDES: Bleed brakes	2.7
3	7111H1	MODULATOR, ABSINCLUDES: Bleed brakes	2.8
5	7111M9	COVER, ABS MODULATORINCLUDES: Bleed brakes	0.2

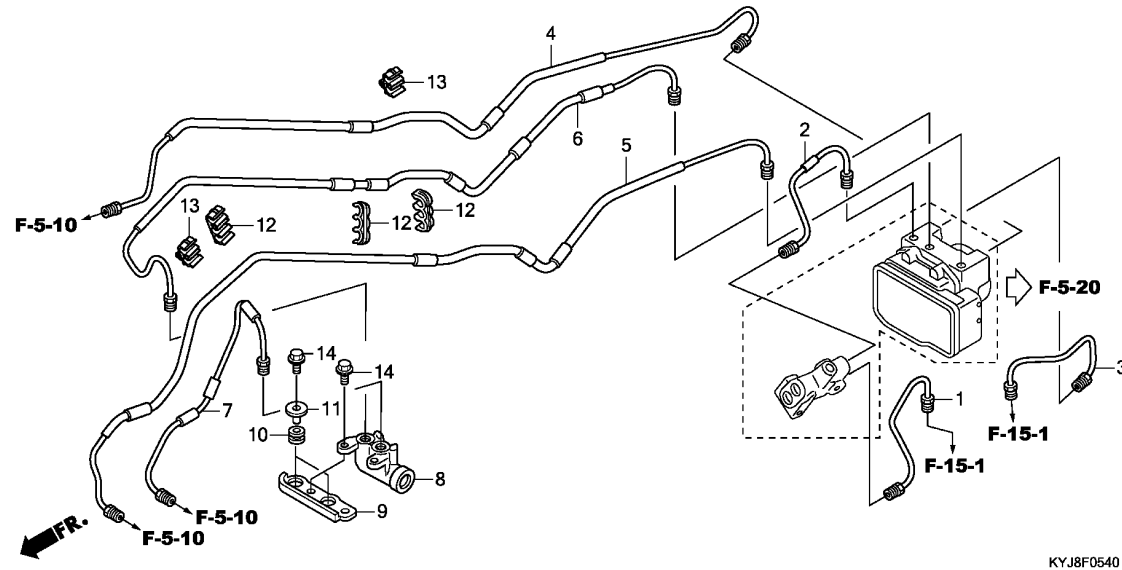
3

Ref. No.	Part No.	Description	Reqd. QTY						Serial No.	Parts catalogue code
			CBR250R			CBR250RA				
			B	C	D	B	C	D		
1	46400-KYJ-911	VALVE ASSY., PROPORTIONING CONTROL	-	-	-	1	1	1		
2	50245-KYJ-910	STAY COMP., ABS MODULATOR	-	-	-	1	1	1		
3	57110-KYJ-911	MODULATOR ASSY., ABS	-	-	-	1	-	-		
	57110-KYJ-791	-	-	-	-	1	1		
4	61102-KTY-D30	COLLAR, RADIATOR MOUNTING	-	-	-	2	2	2		
5	61410-KYJ-910	COVER A, ABS MODULATOR	-	-	-	1	1	1		
6	61411-KYJ-910	COVER B, ABS MODULATOR	-	-	-	1	1	1		
7	77208-KW7-900	RUBBER B, SEAT MOUNTING	-	-	-	3	3	3		
8	90115-KW7-900	SCREW, VISOR SPECIAL SETTING	-	-	-	3	3	3		
9	90677-KAN-T00	NUT, CLIP, 5MM	-	-	-	1	1	1		
10	95701-06012-00	BOLT, FLANGE, 6X12	-	-	-	3	3	3		
11	95701-06022-00	BOLT, FLANGE, 6X22	-	-	-	2	2	2		
12	95701-06040-07	BOLT, FLANGE, 6X40	-	-	-	2	2	2		

F-5-40

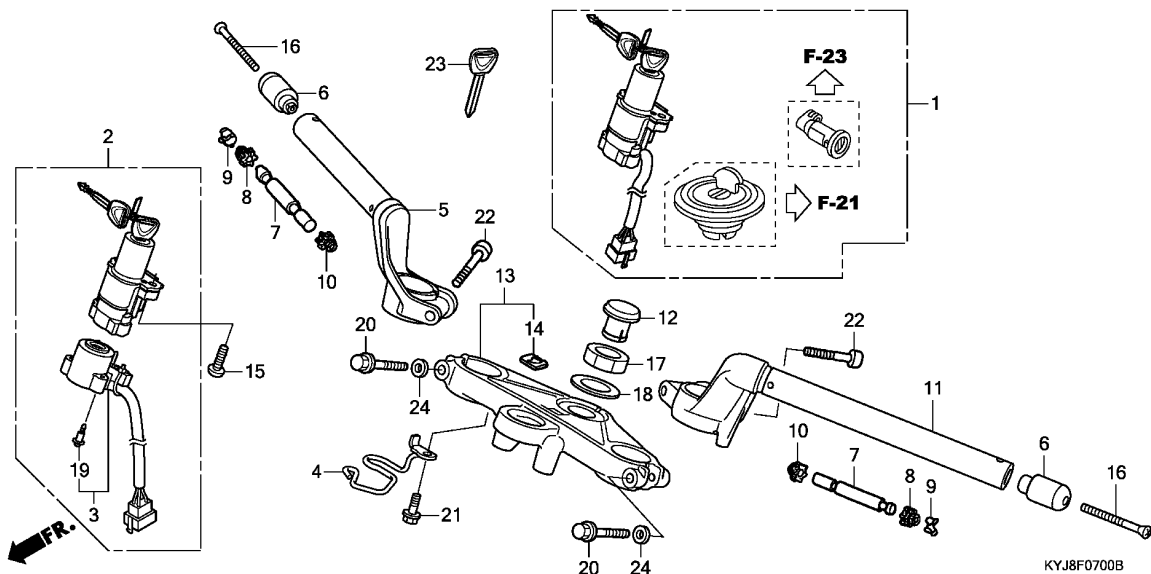
BRAKE PIPE

I10



Ref. No.	L.O.N.	(Relative ref. Number) Description	F.R.T.
1	7121D7	PIPE A, REAR BRAKEINCLUDES: Bleed brakes	2.3
2	7121D8	PIPE B, REAR BRAKEINCLUDES: Bleed brakes	2.7
3	7121D9	PIPE C, REAR BRAKEINCLUDES: Bleed brakes	2.1
4	7121C7	PIPE A, FRONT BRAKEINCLUDES: Bleed brakes	2.7
5	7121C8	PIPE B, FRONT BRAKEINCLUDES: Bleed brakes	2.7
6	7121C9	PIPE C, FRONT BRAKEINCLUDES: Bleed brakes	2.7
7	7121M2	PIPE D, FRONT BRAKEINCLUDES: Bleed brakes	1.6
8	712165	VALVE, DELAYINCLUDES: Bleed brakes	1.6

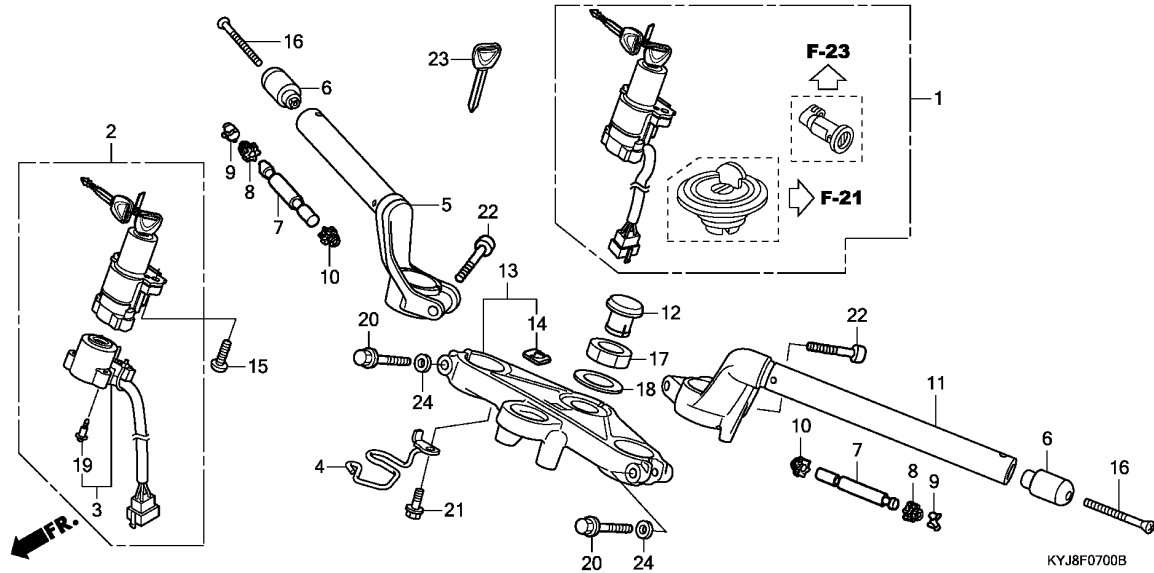
Ref. No.	Part No.	Description	Reqd. QTY						Serial No.	Parts catalogue code
			CBR250R			CBR250RA				
			B	C	D	B	C	D		
1	43311-KYJ-910	PIPE COMP. A, RR. BRAKE	-	-	-	1	1	1		
2	43312-KYJ-910	PIPE COMP. B, RR. BRAKE	-	-	-	1	1	1		
3	43313-KYJ-910	PIPE COMP. C, RR. BRAKE	-	-	-	1	1	1		
4	45131-KYJ-910	PIPE COMP. A, FR. BRAKE	-	-	-	1	1	1		
5	45132-KYJ-910	PIPE COMP. B, FR. BRAKE	-	-	-	1	1	1		
6	45133-KYJ-910	PIPE COMP. C, FR. BRAKE	-	-	-	1	1	1		
7	45134-KYJ-910	PIPE COMP. D, FR. BRAKE	-	-	-	1	1	1		
8	46300-MFG-D21	VALVE ASSY., DELAY	-	-	-	1	1	1		
9	50243-KYJ-910	BRACKET, DELAY VALVE	-	-	-	1	1	1		
10	50247-KYJ-910	RUBBER, DELAY VALVE MOUNT ...	-	-	-	2	2	2		
11	61105-KPF-910	COLLAR, FR. FENDER MOUNTING .	-	-	-	2	2	2		
12	90662-MCA-971	CLAMP, BRAKE PIPE(6.8X3)	-	-	-	3	3	3		
13	90664-MCA-003	CLAMP, BRAKE PIPE(7.0X2)	-	-	-	2	2	2		
14	95701-06016-08	BOLT, FLANGE, 6X16	-	-	-	4	4	4		



Ref. No.	L.O.N.	(Relative ref. Number) Description	F.R.T.
1	6151A1	KEY SET	1.4
2	615145	SWITCH, COMBINATION & LOCK ...	1.1
3	6151C2	BASE, CONTACT	1.0
5	8101B1	PIPE, STEERING HANDLE :RIGHT - (8,9,10)	0.3
7	8101D6	WEIGHT B, HANDLE :LEFT	0.2
	8101D7	WEIGHT B, HANDLE :RIGHT	0.2
	8101D8	WEIGHT B, HANDLE :BOTH	0.4
11	8101B0	PIPE, STEERING HANDLE :LEFT ..	0.4
	8101B2	PIPE, STEERING HANDLE :BOTH ..	0.7
13	510110	BRIDGE, FORK TOP	1.0

3

Ref. No.	Part No.	Description	Reqd. QTY						Serial No.	Parts catalogue code
			CBR250R			CBR250RA				
			B	C	D	B	C	D		
1	35010-KYJ-900	KEY SET	1	1	1	1	1	1		
2	35100-KYJ-901	SWITCH ASSY., COMBINATION & LOCK	1	1	1	1	1	1		
3	35101-KYJ-901	BASE COMP., CONTACT	1	1	1	1	1	1		
4	45158-KYJ-900	GUIDE, FR. BRAKE HOSE	1	1	1	1	1	1		
5	53100-KYJ-900	PIPE COMP., R. STEERING HANDLE	1	1	1	1	1	1		
6	53103-KYJ-900	WEIGHT A, STEERING HANDLE ...	2	2	2	2	2	2		
7	53104-KYJ-900	WEIGHT B, STEERING HANDLE ...	2	2	2	2	2	2		
8	53107-MJO-000	RUBBER B, HANDLE WEIGHT	2	2	2	2	2	2		
9	53108-MJO-000	RING, HANDLE WEIGHT SNAP	2	2	2	2	2	2		
10	53109-MV4-000	RUBBER B, HANDLE WEIGHT	2	2	2	2	2	2		
11	53150-KYJ-900	PIPE COMP., L. STEERING HANDLE	1	1	1	1	1	1		
12	53232-KYJ-900	CAP, STEERING STEM	1	1	1	1	1	1		
13	53300-KYJ-900	BRIDGE COMP., FORK TOP	1	1	1	1	1	1		
14	86150-KPG-901	EMBLEM, PRODUCT(MARUI)	1	1	1	1	1	1		
	86150-KPG-902	EMBLEM, PRODUCT(UHARA)	1	1	1	1	1	1		
	86150-KTJ-C60	EMBLEM, PRODUCT(SHINKO)	1	1	1	1	1	1		
15	90107-MBG-000	BOLT, ONE-WAY, 8MM	2	2	2	2	2	2		
16	90191-KYJ-900	SCREW, OVAL, 6X50	2	2	2	2	2	2		
17	90304-KGA-900	NUT, STEERING STEM	1	1	1	1	1	1		
18	90503-KGA-900	WASHER, STEERING STEM	1	1	1	1	1	1		
19	91059-KY2-711	SCREW, TAPPING, 3X16	3	3	3	3	3	3		
20	95701-08045-07	BOLT, FLANGE, 8X45	2	2	2	2	2	2		
21	96001-06012-07	BOLT, FLANGE, 6X12	1	1	1	1	1	1		
22	96600-08032-07	BOLT, SOCKET, 8X32	2	2	2	2	2	2		

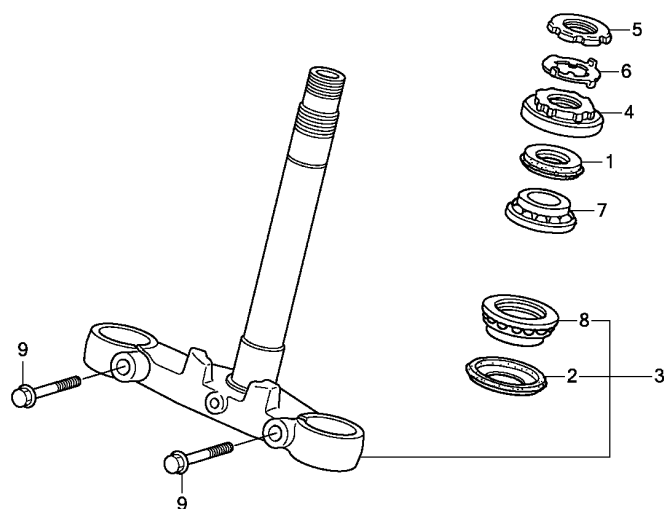


Ref. No.	Part No.	Description	Reqd. QTY						Serial No.	Parts catalogue code
			CBR250R			CBR250RA				
			B	C	D	B	C	D		
23	35121-MAS-G01	KEY, BLANK(TYPE 1)	(1)	(1)	(1)	(1)	(1)	(1)		
24	94102-08000	WASHER, PLAIN, 8MM	-	2	2	-	2	2		

F-9

STEERING STEM

I13



KYJ8F0900

Ref. No.	L.O.N.	(Relative ref. Number) Description	F.R.T.
3	510100	STEM OR SHAFT ASSY., STEERING (1)	1.6
4	5101B2	THREAD, STEERING HEAD TOP	1.4
7	5101B6	BEARING, HEAD PIPE :UPPER	1.6
8	5101B7	BEARING, HEAD PIPE :LOWER	1.8
	5101C7	BEARING, HEAD PIPE :BOTH	1.8

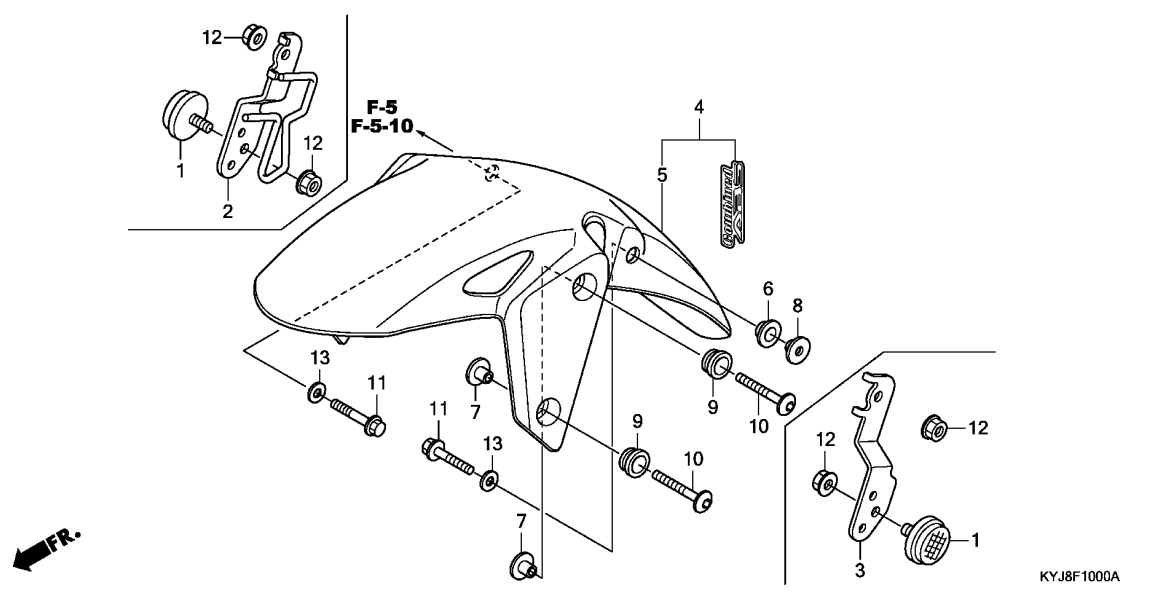
3

Ref. No.	Part No.	Description	Reqd. QTY						Serial No.	Parts catalogue code
			CBR250R			CBR250RA				
			B	C	D	B	C	D		
1	53213-MB4-771	DUST SEAL, STEERING HEAD(ARAI)	1	1	1	1	1	1		
2	53214-371-010	DUST SEAL, STEERING HEAD	1	1	1	1	1	1		
3	53219-KYJ-900	STEM SUB ASSY., STEERING	1	1	1	1	1	1		
4	53220-KYJ-900	THREAD COMP., STEERING HEAD								
		TOP	1	1	1	1	1	1		
5	90302-425-830	THREAD B, STEERING HEAD TOP -	1	1	1	1	1	1		
6	90506-425-830	WASHER, LOCK	1	1	1	1	1	1		
7	91015-KT8-005	BEARING, HEAD PIPE UPPER(KOYO)	1	1	1	1	1	1		
8	91016-KT8-005	BEARING, HEAD PIPE UNDER(KOYO)	1	1	1	1	1	1		
9	95701-10035-07	BOLT, FLANGE, 10X35	2	2	2	2	2	2		

F-10

FRONT FENDER

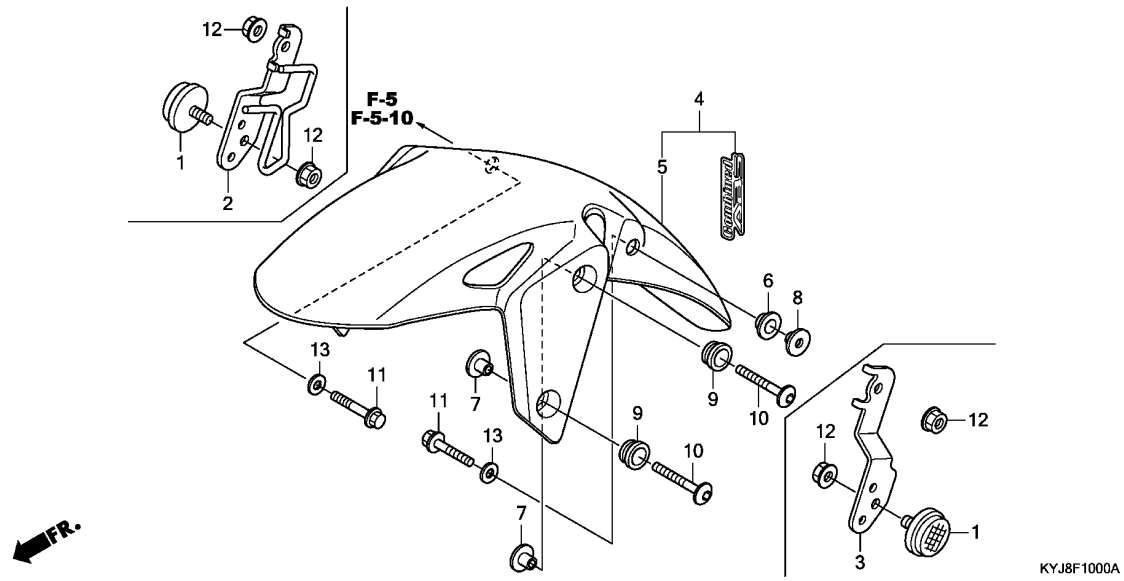
I14



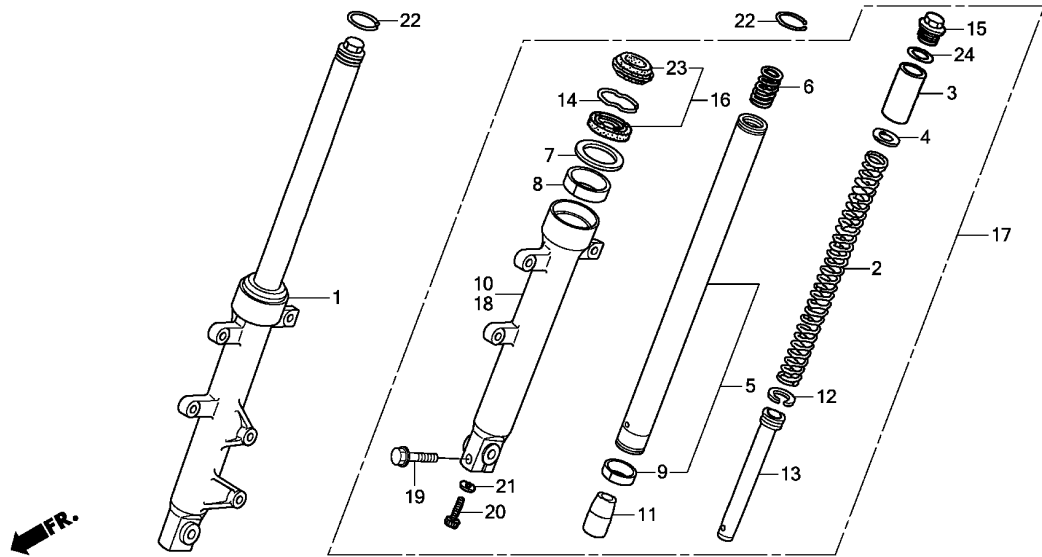
Ref. No.	L.O.N.	(Relative ref. Number) Description	F.R.T.
4	(5) 4131B7	FENDER, FRONT	0.4

Ref. No.	Part No.	Description	Reqd. QTY						Serial No.	Parts catalogue code
			CBR250R			CBR250RA				
			B	C	D	B	C	D		
1	33741-KTG-U01	REFLECTOR, FR. REFLEX (AMBER)	2	-	2	2	-	2	-----	2U,3U,4U,5U,6U,U
2	60114-KYJ-920	STAY COMP., R. FR. SIDE							-----	2U,3U,4U,5U,6U,U
3	60115-KYJ-920	STAY COMP., L. FR. SIDE							-----	2U,3U,4U,5U,6U,U
4	61000-KYJ-910ZD	FENDER SET, FR. (WL) *NHA35M*							-----	2U,3U,4U,5U,6U,U
	61000-KYJ-910ZE	*NHA95M*SWORD SILVER METALLIC	-	-	-	1	1	-	-----	2U,IN,KO,MA
	61000-KYJ-910ZC	*R4C*.....CANDY RUBY RED	-	-	-	1	-	-	-----	IN,MA
	61000-KYJ-910ZG	*NH196*.....ROSS WHITE	-	-	-	1	-	-	-----	IN,MA,U
	61000-KYJ-E20ZA	*TYPE6*.....	-	-	-	-	-	1	-----	MA
	61000-KYJ-E20ZB	*TYPE5*.....	-	-	-	-	-	1	-----	3IN,3MA,3U
	61000-KYJ-E20ZD	*TYPE3*.....	-	-	-	-	-	1	-----	4IN,4KO,4MA,4U
	61000-KYJ-E20ZC	*TYPE4*.....	-	-	-	-	-	1	-----	5MA,5U
	61000-KYJ-E20ZF	*TYPE1*.....	-	-	-	-	-	1	-----	6U
	61000-KYJ-E20ZE	*TYPE2*.....	-	-	-	-	-	1	-----	IN,MA,U
5	61100-KPP-T00ZA	FENDER, FR. *NHA35M*							-----	IN,U
	61100-KPP-T00ZH	*NHA95M*SWORD SILVER METALLIC	1	1	-	-	-	-	-----	2U,IN,KO,MA
	61100-KPP-T00ZE	*R4C*.....CANDY RUBY RED	1	1	-	-	-	-	-----	IN,KO,MA
	61100-KPP-T00ZG	*R263*.....MILLENNIUM RED	1	-	-	-	-	-	-----	IN,KO,MA,U
	61100-KPP-T00ZS	*NHA87P*PEARL HIMALAYAS WHITE	-	-	1	-	-	-	-----	3U
	61100-KPP-T00ZN	*PB123PA*..PEARL SIREN BLUE-A	-	-	1	-	-	-	-----	3IN,3KO,3MA,3U
	61100-KPP-T00ZP	*R310*.....GAYETY RED	-	-	1	-	-	-	-----	4IN,4MA,4U
	61100-KPP-T00ZQ	*PB325C*..CANDY LIGHTNING BLUE	-	-	1	-	-	-	-----	5MA,5U
	61100-KPP-T00ZL	*NH1*.....BLACK	-	-	1	-	-	-	-----	6U
	61100-KPP-T00ZG	*R263*.....MILLENNIUM RED	-	-	1	-	-	-	-----	IN,KO,MA,U
			-	-	1	-	-	-	-----	IN,U

3



Ref. No.	Part No.	Description	Reqd. QTY						Serial No.	Parts catalogue code
			CBR250R			CBR250RA				
			B	C	D	B	C	D		
6	61103-KPF-910	RUBBER, FR. FENDER MOUNTING	2	2	2	2	2	2		
7	61103-KRY-900	COLLAR A, FR. FENDER	4	4	4	4	4	4		
8	61105-KPF-910	COLLAR, FR. FENDER MOUNTING	2	2	2	2	2	2		
9	61105-KRY-900	RUBBER, FR. FENDER MOUNTING	4	4	4	4	4	4		
10	90130-KYJ-900	SCREW, PAN, 6X22	4	4	4	4	4	4		
11	90131-KYJ-900	BOLT, FLANGE, 6X22	2	2	2	2	2	2	-----	3IN,3K0,3MA,4IN,4K0,4MA,5MA,IN,K0,MA
	96001-06035-00	BOLT, FLANGE, 6X35	2	-	2	2	2	2	-----	2U,3U,4U,5U,6U,U
12	90301-KGH-901	NUT, U, 6MM(FUJI SEIMITSU)	4	-	4	4	-	4	-----	2U,3U,4U,5U,6U,U
13	90485-286-000	WASHER, 6MM	2	2	2	2	2	2		

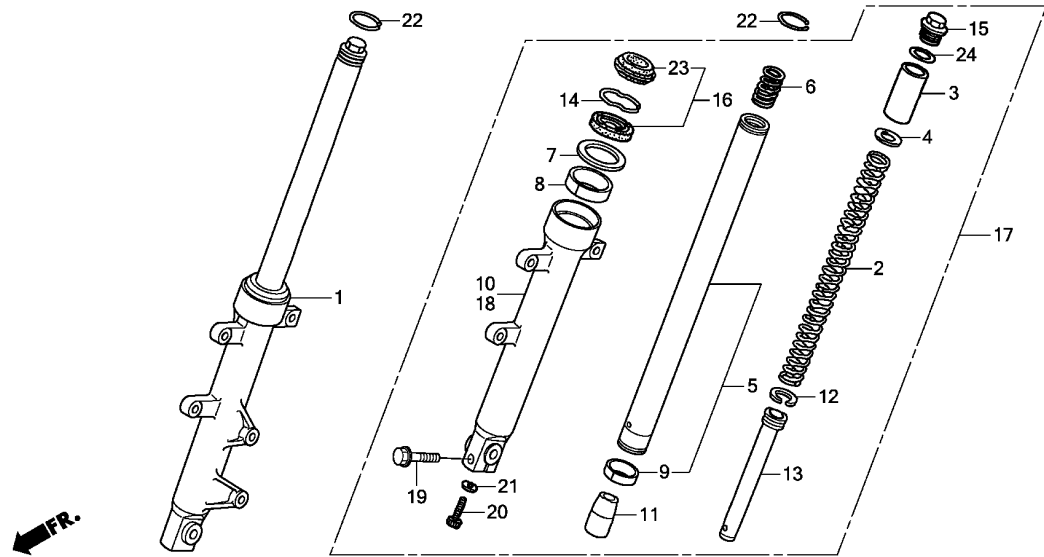


KYJ8F1100

Ref. No.	L.O.N.	(Relative ref. Number) Description	F.R.T.
1	5111C3	FORK ASSY., FRONT :RIGHT	0.5
2	5111C5	SPRING, FRONT FORK :LEFT	0.7
	5111C6	SPRING, FRONT FORK :RIGHT	0.7
	5111C7	SPRING, FRONT FORK :BOTH	1.1
5		(6,8,9,11,12,13)	
	5111G2	PIPE, FRONT FORK :LEFT	0.9
	5111G3	PIPE, FRONT FORK :RIGHT	0.9
	5111G4	PIPE, FRONT FORK :BOTH	1.5
10	5111D2	CASE, BOTTOM :RIGHT	0.9
16	5111E7	SEAL SET, FRONT FORK :LEFT	0.8
	5111E8	SEAL SET, FRONT FORK :RIGHT	0.8
	5111E9	SEAL SET, FRONT FORK :BOTH	1.3
17	5111C2	FORK ASSY., FRONT :LEFT	0.5
	5111C4	FORK ASSY., FRONT :BOTH	0.7
18	5111D1	CASE, BOTTOM :LEFT	0.9
	5111D3	CASE, BOTTOM :BOTH	1.5

Ref. No.	Part No.	Description	Reqd. QTY						Serial No.	Parts catalogue code
			CBR250R			CBR250RA				
			B	C	D	B	C	D		
1	51400-KYJ-901	FORK ASSY., R. FR.	1	1	1	1	1	1	-----	3IN,3KO,3MA,4IN,4KO,4MA,5MA,IN,KO,MA
	51400-KYJ-921	1	-	1	1	-	1	-----	2U,3U,4U,5U,6U,U
2	51401-KYJ-901	SPRING, FR. FORK	2	2	2	2	2	2		
3	51402-KYJ-901	COLLAR, SPRING	2	2	2	2	2	2		
4	51403-ME4-003	SEAT, SPRING	2	2	2	2	2	2		
5	51410-KYJ-901	PIPE COMP., FR. FORK	2	2	2	2	2	2		
6	51411-MG1-003	SPRING, FR. FORK REBOUND	2	2	2	2	2	2		
7	51412-461-003	RING, BACK UP	2	2	2	2	2	2		
8	51414-KFB-901	BUSH, GUIDE	2	2	2	2	2	2		
9	51415-KFB-901	BUSH, SLIDER	2	2	2	2	2	2		
10	51420-KYJ-901	CASE, R. BOTTOM	1	1	1	1	1	1	-----	3IN,3KO,3MA,4IN,4KO,4MA,5MA,IN,KO,MA
	51420-KYJ-921	1	-	1	1	-	1	-----	2U,3U,4U,5U,6U,U
11	51432-KAZ-003	PIECE, OIL LOCK	2	2	2	2	2	2		
12	51437-ML7-691	RING, PISTON	2	2	2	2	2	2		
13	51440-KYJ-901	PIPE, SEAT	2	2	2	2	2	2		
14	51447-KR6-003	RING, OIL SEAL STOPPER	2	2	2	2	2	2		
15	51450-KAS-901	BOLT COMP., FR. FORK	2	2	2	2	2	2		
16	51490-KWL-003	SEAL SET, FR. FORK	2	2	2	2	2	2		
17	51500-KYJ-901	FORK ASSY., L. FR.	1	1	1	1	1	1	-----	3IN,3KO,3MA,4IN,4KO,4MA,5MA,IN,KO,MA
	51500-KYJ-921	1	-	1	1	-	1	-----	2U,3U,4U,5U,6U,U
18	51520-KYJ-901	CASE, L. BOTTOM	1	1	1	1	1	1	-----	3IN,3KO,3MA,4IN,4KO,4MA,5MA,IN,KO,MA
	51520-KYJ-921	1	-	1	1	-	1	-----	2U,3U,4U,5U,6U,U
19	90109-MR7-000	BOLT, FLANGE, 8X45	1	1	1	1	1	1		
20	90116-KV3-701	BOLT, SOCKET, 8MM(SHOWA)	2	2	2	2	2	2		
21	90544-283-000	WASHER, SPECIAL, 8MM(SHOWA)	2	2	2	2	2	2		

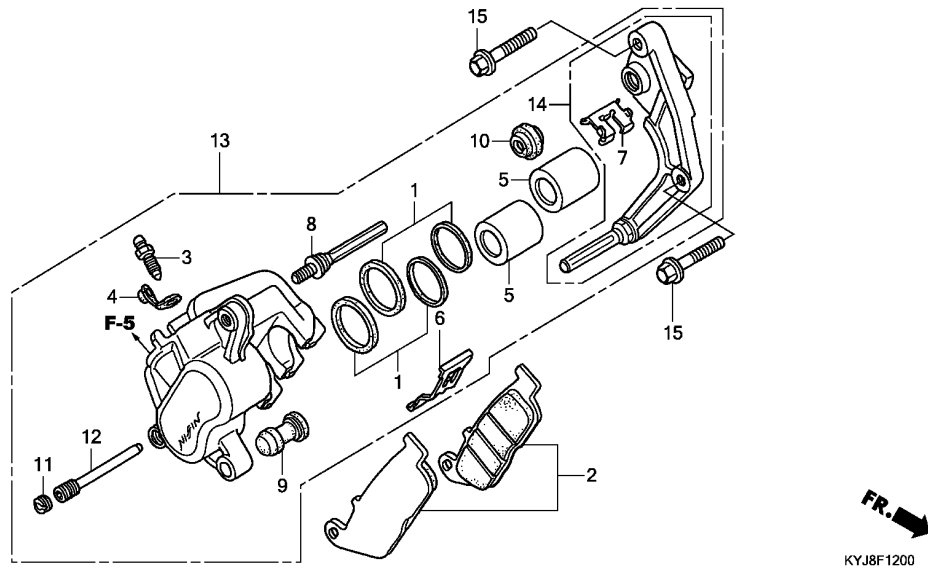




KYJ8F1100

Ref. No.	Part No.	Description	Reqd. QTY						Serial No.	Parts catalogue code
			CBR250R			CBR250RA				
			B	C	D	B	C	D		

22	90602-ME7-003	RING, STOPPER	2	2	2	2	2	2		
23	91254-KAZ-003	SEAL, DUST	2	2	2	2	2	2		
24	91357-ME4-003	O-RING, 27.7X3.5	2	2	2	2	2	2		



Ref. No.	L.O.N.	(Relative ref. Number) Description	F.R.T.
2	711115	SHOE(PAD) SET, BRAKE :FRONT .. (1)	0.1
5	7111D1	PISTON, FRONT BRAKE CALIPER .. .INCLUDES: Bleed brakes .NOTE: Same time for two units	0.5
13	711130	CALIPER, FRONT BRAKE .. .INCLUDES: Bleed brakes	0.4
14	7111G0	BRACKET, FRONT CALIPER	0.2

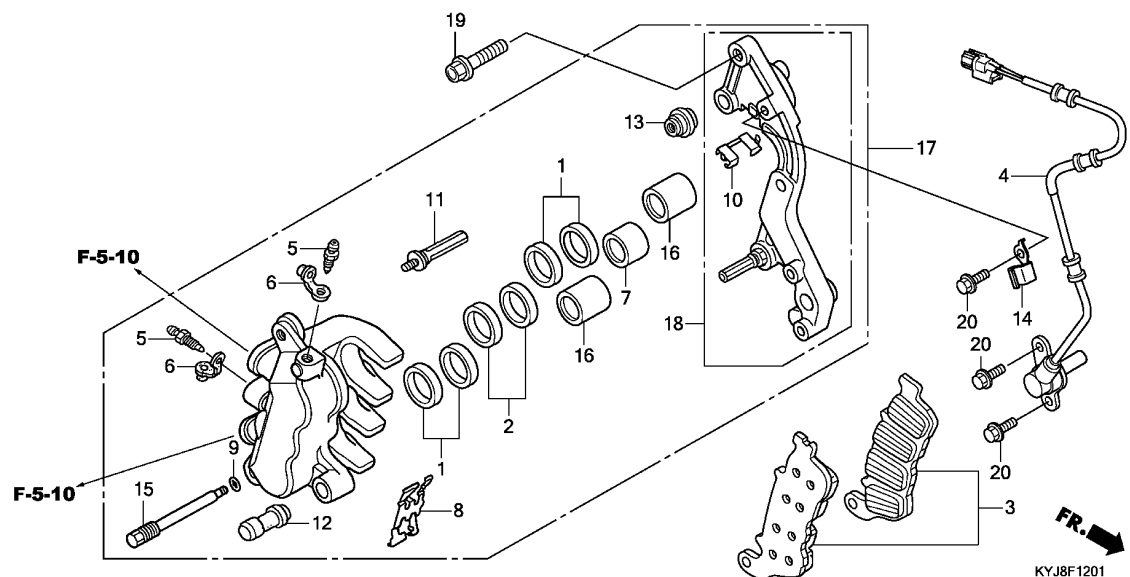
Ref. No.	Part No.	Description	Reqd. QTY						Serial No.	Parts catalogue code
			CBR250R			CBR250RA				
			B	C	D	B	C	D		
1	06451-GE2-405	SEAL SET, PISTON	2	2	2	-	-	-		
2	06455-KYJ-901	PAD SET	1	1	1	-	-	-		
3	43352-568-003	SCREW, BLEEDER(NISSIN)	1	1	1	-	-	-		
4	43353-461-771	CAP, BLEEDER	1	1	1	-	-	-		
5	45107-MN5-006	PISTON	2	2	2	-	-	-		
6	45108-ML7-922	SPRING, PAD(NISSIN)	1	1	1	-	-	-		
7	45112-ML7-921	RETAINER	1	1	1	-	-	-		
8	45131-ML7-921	BOLT A, PIN	1	1	1	-	-	-		
9	45132-166-016	BOOT, PIN BUSH(NISSIN)	1	1	1	-	-	-		
10	45133-MA3-006	BOOT B	1	1	1	-	-	-		
11	45203-MG3-016	PLUG, PIN	1	1	1	-	-	-		
12	45215-ML7-922	PIN, HANGER	1	1	1	-	-	-		
13	45250-KYJ-901	CALIPER SUB ASSY., R. FR.	1	1	1	-	-	-	-----	2U,3IN,3K0,3MA,3U,5MA,5U,6U,IN,KO,MA,U
	45250-KYJ-M61	-	-	1	-	-	-	-----	4IN,4MA,4U
14	45290-KFK-006	BRACKET SUB ASSY., R. FR.	1	1	1	-	-	-		
15	90131-KBV-003	BOLT, FLANGE, 8X32(SAGA)	2	2	2	-	-	-		



F-12-1

FRONT BRAKE CALIPER(CBR250RA)

J 3



Ref. No.	L.O.N.	(Relative ref. Number) Description	F.R.T.
3	711115	SHOE(PAD) SET, BRAKE :FRONT ..	0.1
4	617196	SENSOR, WHEEL SPEED :FRONT ...	0.7
7		(1,2,16)	
	7111D1	PISTON, FRONT BRAKE CALIPER ..	0.9
		.INCLUDES: Bleed brakes .NOTE: Same time for two units or more	
17	711130	CALIPER, FRONT BRAKE	0.7
		.INCLUDES: Bleed brakes	
18	7111G0	BRACKET, FRONT CALIPER	0.2

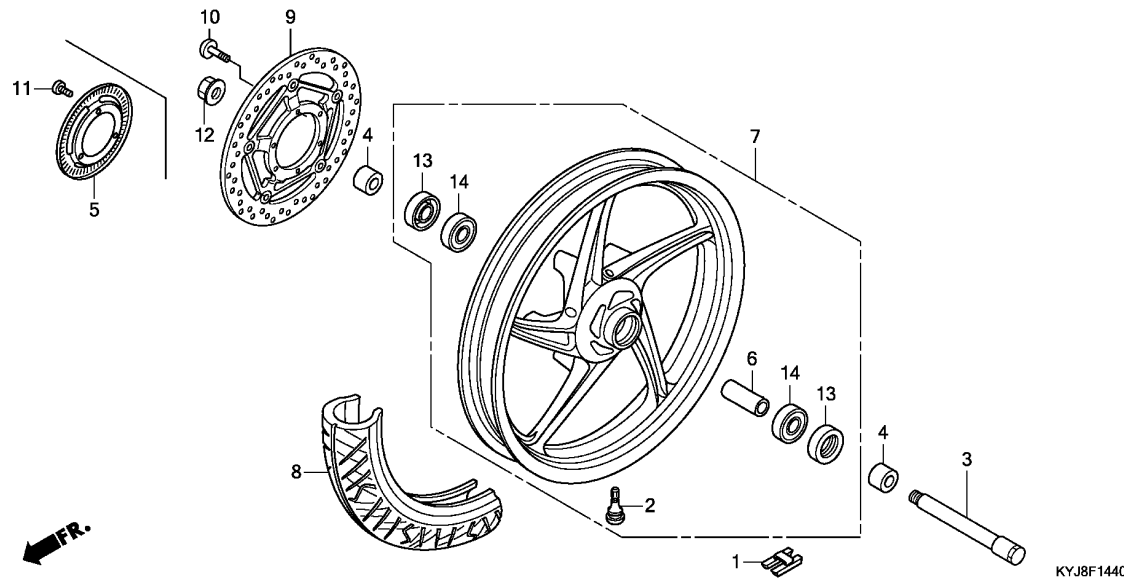
3

Ref. No.	Part No.	Description	Reqd. QTY						Serial No.	Parts catalogue code
			CBR250R			CBR250RA				
			B	C	D	B	C	D		
1	06431-MA3-405	SEAL SET, PISTON	-	-	-	2	2	2		
2	06451-MZ2-405	SEAL SET, PISTON	-	-	-	1	1	1		
3	06455-KYJ-911	PAD SET, FR.	-	-	-	1	1	1		
4	38520-KYJ-911	SENSOR, FR. WHEEL SPEED	-	-	-	1	1	1		
5	43352-568-003	SCREW, BLEEDER(NISSIN)	-	-	-	2	2	2		
6	43353-461-771	CAP, BLEEDER	-	-	-	2	2	2		
7	45107-MAJ-G41	PISTON A, 22X27	-	-	-	1	1	1		
8	45108-KYJ-911	SPRING, PAD	-	-	-	1	1	1		
9	45111-MAJ-G41	RING, STOPPER	-	-	-	1	1	1		
10	45112-MZ2-006	RETAINER, BRACKET	-	-	-	1	1	1		
11	45131-ML7-921	BOLT A, PIN	-	-	-	1	1	1		
12	45132-166-016	BOOT, PIN BUSH(NISSIN)	-	-	-	1	1	1		
13	45133-MA3-006	BOOT B	-	-	-	1	1	1		
14	45161-MCW-D10	CLAMPER, SPEED SENSOR CORD ..	-	-	-	1	1	1		
15	45215-MBT-D51	PIN, HANGER	-	-	-	1	1	1		
16	45218-MAJ-G41	PISTON B, 27X35	-	-	-	2	2	2		
17	45250-KYJ-911	CALIPER SUB ASSY., R. FR.	-	-	-	1	1	1		----- 2U,3IN,3MA,3U,5MA,5U,6U,IN,KO,MA,U
	45250-KYJ-G91	-	-	-	-	-	-		----- 4IN,4KO,4MA,4U
18	45290-MER-R81	BRACKET SUB ASSY., R. FR.	-	-	-	1	1	1		
19	90131-KBV-003	BOLT, FLANGE, 8X32(SAGA)	-	-	-	2	2	2		
20	96001-06010-07	BOLT, FLANGE, 6X10	-	-	-	3	3	3		

F-14-40

FRONT WHEEL

J 4



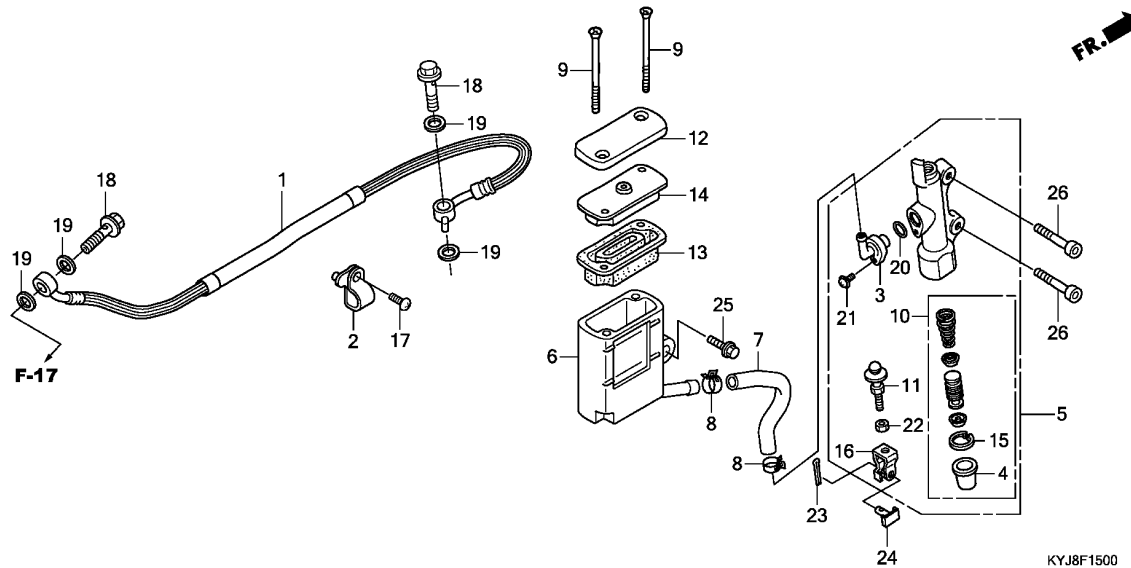
Ref. No.	L.O.N.	(Relative ref. Number) Description	F.R.T.
1	7101A6	WEIGHT, BALANCE :FRONT (13)	0.6
3	710151	AXLE, FRONT WHEEL	0.3
5	7101B0	RING, PULSER :FRONT	0.4
7	7101D4	FRONT WHEEL .INCLUDES: Balance	1.0
8	710139	FRONT TIRE(ONE) .INCLUDES: Balance	0.9
9	711120	DISC, FRONT BRAKE	0.4
14	710115	BEARING, FRONT WHEEL(ONE)	0.5
	710115G	.Replace 1 bearing add	0.1

Ref. No.	Part No.	Description	Reqd. QTY						Serial No.	Parts catalogue code
			CBR250R			CBR250RA				
			B	C	D	B	C	D		
1	42704-MER-D00	WEIGHT, BALANCE(10G)	N	N	N	N	N	N		
	42705-MER-D00	WEIGHT, BALANCE(20G)	N	N	N	N	N	N		
	42706-MER-D00	WEIGHT, BALANCE(30G)	N	N	N	N	N	N		
2	42753-GM9-743	VALVE, RIM(IRC)	1	1	1	1	1	1		
	42753-KWF-901	VALVE, RIM(TRITON)	1	1	1	1	1	1		
3	44301-KYJ-900	AXLE, FR. WHEEL	1	1	1	1	1	1		
4	44311-KYJ-900	COLLAR, FR. WHEEL	2	2	2	2	2	2		
5	44515-MEJ-D01	RING, FR. PULSER	-	-	-	1	1	1		
6	44620-KYJ-900	COLLAR, FR. AXLE DISTANCE	1	1	1	1	1	1		
7	44650-KYJ-900ZA	WHEEL SUB ASSY., FR. *NH146M*	1	1	-	-	-	-		
	44650-KYJ-900ZC	*NH303M* MAT AXIS GRAY METALLIC	-	-	1	-	-	-	-----	3IN,3KO,3MA,3U,5MA,5U,6U,IN,KO,MA,U
	44650-KYJ-900ZD	*YR241*.....SAVORY ORANGE	-	-	1	-	-	-	-----	4IN,4MA,4U
	44650-KYJ-910ZA	*NH146M* ACCURATE SILVER METALLIC	-	-	-	1	1	-		
	44650-KYJ-910ZC	*NH303M* MAT AXIS GRAY METALLIC	-	-	-	-	-	1	-----	3IN,3MA,3U,5MA,5U,6U,IN,MA,U
	44650-KYJ-910ZD	*YR241*.....SAVORY ORANGE	-	-	-	-	-	1	-----	4IN,4KO,4MA,4U
8	44711-KYJ-901	TIRE, FR.(IRC) (110/70-17M/C 54S)	1	1	1	1	1	1		
9	45120-KYJ-901	DISK COMP., FR. BRAKE	1	1	1	1	1	1		
10	90106-KGH-600	BOLT, BRAKE DISK, 6X17	6	6	6	6	6	6		
11	90131-KPB-751	BOLT, TORX, 5X10	-	-	-	3	3	3		
12	90306-KGH-901	NUT, U, 12MM(FUJI SEIMITSU)	1	1	1	1	1	1		
13	91252-MC7-003	DUST SEAL, 22X42X7(ARAI)	2	2	2	2	2	2		
14	96150-63020-10	BEARING, RADIAL BALL, 6302UU	2	2	2	2	2	2		

F-15

REAR BRAKE MASTER CYLINDER(CBR250R)

J 5



Ref. No.	L.O.N.	(Relative ref. Number) Description	F.R.T.
1	712130	HOSE, REAR BRAKEINCLUDES: Bleed brakes	0.5
5	712125	CYLINDER, REAR BRAKE MASTER .. .INCLUDES: Bleed brakes	0.5
6	7121F6	CUP, REAR MASTER CYLINDER OIL .INCLUDES: Bleed brakes	0.2
7	7121C2	HOSE, REAR MASTER CYLINDER OIL CUPINCLUDES: Bleed brakes	0.3
10	7121H0	PISTON SET, REAR BRAKE MASTER .INCLUDES: Bleed brakes	0.5
13	7121G7	DIAPHRAGM, REAR BRAKE MASTER CYLINDER	0.1

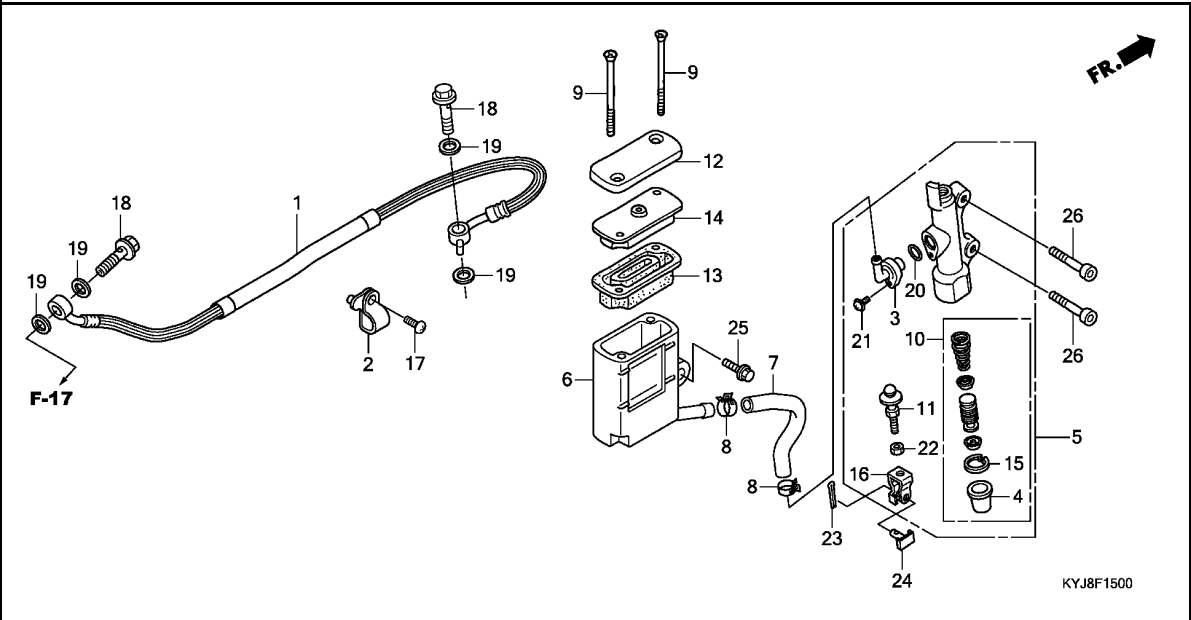
Ref. No.	Part No.	Description	Reqd. QTY						Serial No.	Parts catalogue code
			CBR250R			CBR250RA				
			B	C	D	B	C	D		
1	43310-KYJ-901	HOSE COMP., RR. BRAKE	1	1	-	-	-	-		
	43310-KYJ-D21	-	-	1	-	-	-		
2	43468-KFB-000	GUIDE, BRAKE HOSE	1	1	1	-	-	-		
3	43503-MR7-006	CONNECTOR	1	1	1	-	-	-		
4	43504-MB2-006	BOOT COMP.	1	1	1	-	-	-		
5	43510-KYJ-901	CYLINDER SUB ASSY., RR. BRAKE MASTER	1	1	1	-	-	-		
6	43511-KYJ-901	CUP, MASTER CYLINDER OIL	1	1	1	-	-	-		
7	43512-KYJ-901	HOSE, RR. MASTER CYLINDER ...	1	1	1	-	-	-		
8	43514-KS6-701	CLAMP, MASTER CYLINDER OIL								
9	43516-KYJ-901	SCREW, FLAT, 4X60	2	2	2	-	-	-		
10	43520-MB2-315	PISTON SET, MASTER CYLINDER (NISSIN)	1	1	1	-	-	-		
11	43530-KV3-701	ROD COMP., PUSH	1	1	1	-	-	-		
12	45513-KWN-671	CAP, MASTER CYLINDER	1	1	1	-	-	-		
13	45520-GW0-911	DIAPHRAGM	1	1	1	-	-	-		
14	45521-GW0-911	PLATE, DIAPHRAGM	1	1	1	-	-	-		
15	46182-MEL-D21	CIRCLIP	1	1	1	-	-	-		
16	46504-MAL-601	JOINT, BRAKE ROD	1	1	1	-	-	-		
17	90104-KPP-900	SCREW, PAN, 5X12	1	1	1	-	-	-		
18	90145-MS9-612	BOLT, OIL, 10X22	2	2	2	-	-	-		
19	90545-300-000	WASHER, OIL BOLT	4	4	4	-	-	-		
20	91212-422-006	O-RING, 14.8X2.4	1	1	1	-	-	-		
21	93893-04012-17	SCREW-WASHER, 4X12	1	1	1	-	-	-		

3

F-15

REAR BRAKE MASTER CYLINDER(CBR250R)

J 6



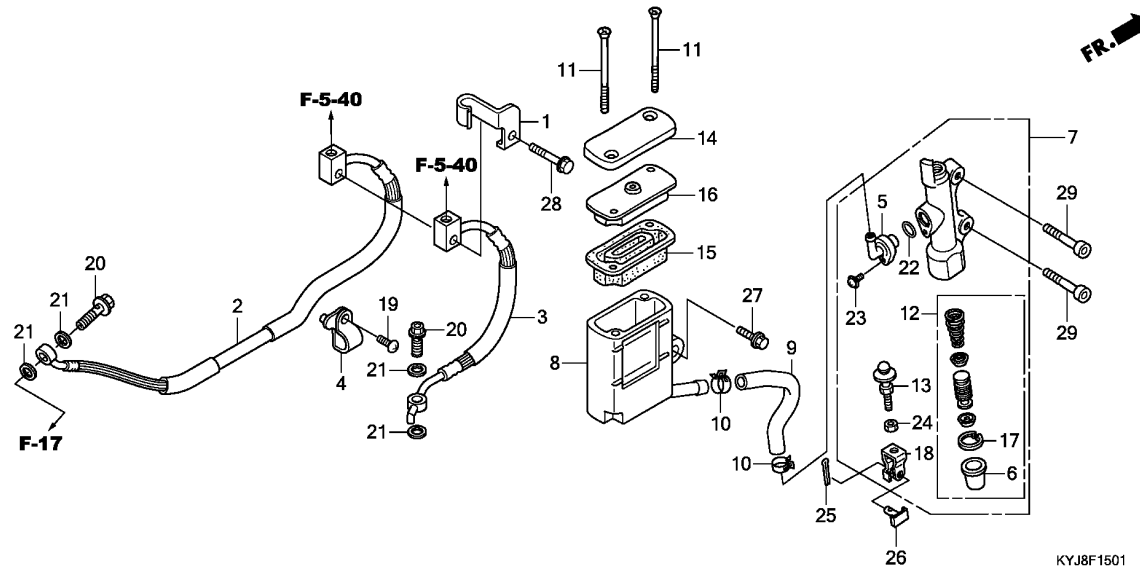
Ref. No.	Part No.	Description	Reqd. QTY						Serial No.	Parts catalogue code
			CBR250R			CBR250RA				
			B	C	D	B	C	D		
22	94002-08000-0S	NUT, HEX., 8MM	1	1	1	-	-	-		
23	94201-20150	PIN, SPLIT, 2.0X15	1	1	1	-	-	-		
24	95015-54000	PIN D, JOINT	1	1	1	-	-	-		
25	96001-06014-07	BOLT, FLANGE, 6X14	1	1	1	-	-	-		
26	96600-06020-00	BOLT, SOCKET, 6X20	2	2	2	-	-	-		

3

F-15-1

REAR BRAKE MASTER CYLINDER(CBR250RA)

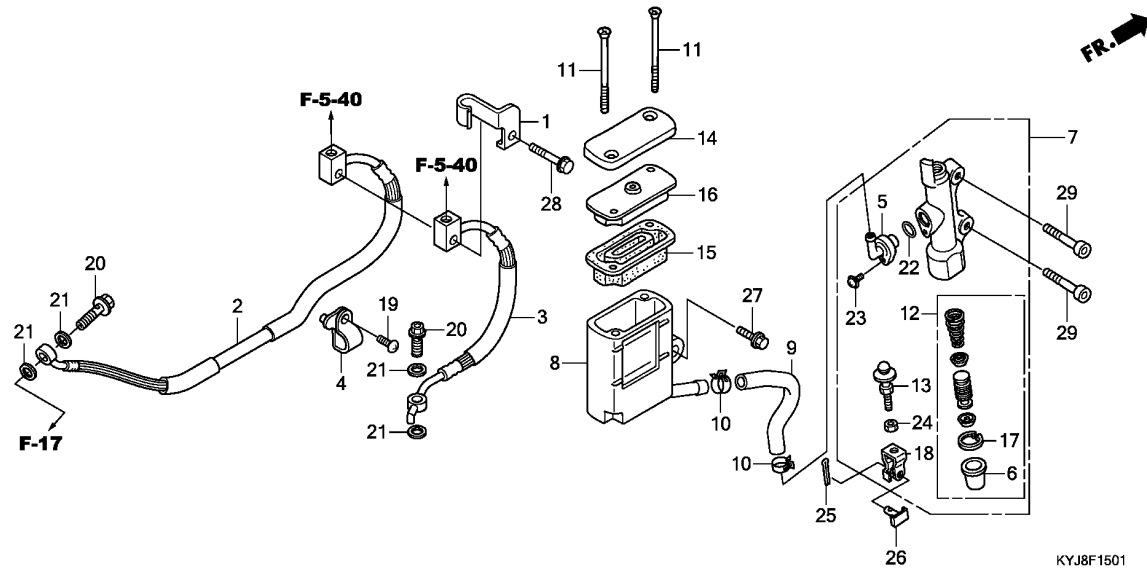
J 7



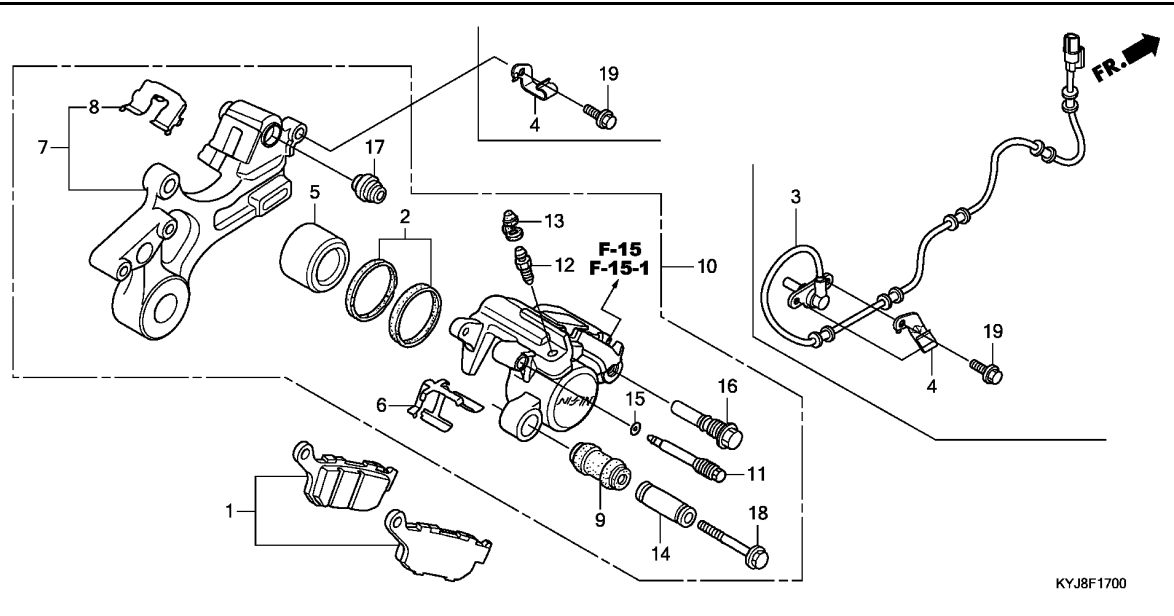
Ref. No.	L.O.N.	(Relative ref. Number) Description	F.R.T.
2	712180	HOSE A, REAR BRAKEINCLUDES: Bleed brakes	2.4
3	7121B0	HOSE B, REAR BRAKEINCLUDES: Bleed brakes	2.1
7	712125	CYLINDER, REAR BRAKE MASTER .. .INCLUDES: Bleed brakes	0.6
8	7121F6	CUP, REAR MASTER CYLINDER OIL .INCLUDES: Bleed brakes	0.3
9	7121C2	HOSE, REAR MASTER CYLINDER OIL CUPINCLUDES: Bleed brakes	0.4
12	7121H0	PISTON SET, REAR BRAKE MASTER .INCLUDES: Bleed brakes	0.6
15	7121G7	DIAPHRAGM, REAR BRAKE MASTER CYLINDER	0.1

3

Ref. No.	Part No.	Description	Reqd. QTY						Serial No.	Parts catalogue code
			CBR250R			CBR250RA				
			B	C	D	B	C	D		
1	38516-KYJ-910	CLAMPER, SPEED SENSOR CORD ..	-	-	-	1	1	1		
2	43310-KYJ-911	HOSE COMP. A, RR. BRAKE	-	-	-	1	1	-		
	43310-KYJ-E21	-	-	-	-	-	1		
3	43314-KYJ-911	HOSE COMP. B, RR. BRAKE	-	-	-	1	1	-		
	43314-KYJ-E21	-	-	-	-	-	1		
4	43468-KFK-630	GUIDE, RR. BRAKE HOSE	-	-	-	1	1	1		
5	43503-MR7-006	CONNECTOR	-	-	-	1	1	1		
6	43504-MB2-006	BOOT COMP.	-	-	-	1	1	1		
7	43510-KYJ-901	CYLINDER SUB ASSY., RR. BRAKE MASTER	-	-	-	1	1	1		
8	43511-KYJ-901	CUP, MASTER CYLINDER OIL	-	-	-	1	1	1		
9	43512-KYJ-901	HOSE, RR. MASTER CYLINDER ...	-	-	-	1	1	1		
10	43514-KS6-701	CLAMP, MASTER CYLINDER OIL HOSE	-	-	-	2	2	2		
11	43516-KYJ-901	SCREW, FLAT, 4X60	-	-	-	2	2	2		
12	43520-MB2-315	PISTON SET, MASTER CYLINDER (NISSIN)	-	-	-	1	1	1		
13	43530-KV3-701	ROD COMP., PUSH	-	-	-	1	1	1		
14	45513-KWN-671	CAP, MASTER CYLINDER	-	-	-	1	1	1		
15	45520-GW0-911	DIAPHRAGM	-	-	-	1	1	1		
16	45521-GW0-911	PLATE, DIAPHRAGM	-	-	-	1	1	1		
17	46182-MEL-D21	CIRCLIP	-	-	-	1	1	1		
18	46504-MAL-601	JOINT, BRAKE ROD	-	-	-	1	1	1		
19	90104-KPP-900	SCREW, PAN, 5X12	-	-	-	1	1	1		
20	90145-MS9-612	BOLT, OIL, 10X22	-	-	-	2	2	2		



Ref. No.	Part No.	Description	Reqd. QTY						Serial No.	Parts catalogue code
			CBR250R			CBR250RA				
			B	C	D	B	C	D		
21	90545-300-000	WASHER, OIL BOLT	-	-	-	4	4	4		
22	91212-422-006	O-RING, 14.8X2.4	-	-	-	1	1	1		
23	93893-04012-17	SCREW-WASHER, 4X12	-	-	-	1	1	1		
24	94002-08000-0S	NUT, HEX., 8MM	-	-	-	1	1	1		
25	94201-20150	PIN, SPLIT, 2.0X15	-	-	-	1	1	1		
26	95015-54000	PIN D, JOINT	-	-	-	1	1	1		
27	96001-06014-07	BOLT, FLANGE, 6X14	-	-	-	1	1	1		
28	96001-06030-07	BOLT, FLANGE, 6X30	-	-	-	1	1	1		
29	96600-06020-00	BOLT, SOCKET, 6X20	-	-	-	2	2	2		



Ref. No.	L.O.N.	(Relative ref. Number) Description	F.R.T.
1	711140	SHOE(PAD) SET, BRAKE :REAR ...	0.1
3	617197	SENSOR, WHEEL SPEED :REAR ...	0.9
5	7111D5	PISTON, REAR BRAKE CALIPER ...	0.4
		.INCLUDES: Bleed brakes	
	7111D5A	.ABS add	0.1
7	7111C1	BRACKET, REAR CALIPER	0.5
10	711155	CALIPER, REAR BRAKE	0.7
		.INCLUDES: Bleed brakes	
	711155A	.ABS add	0.1

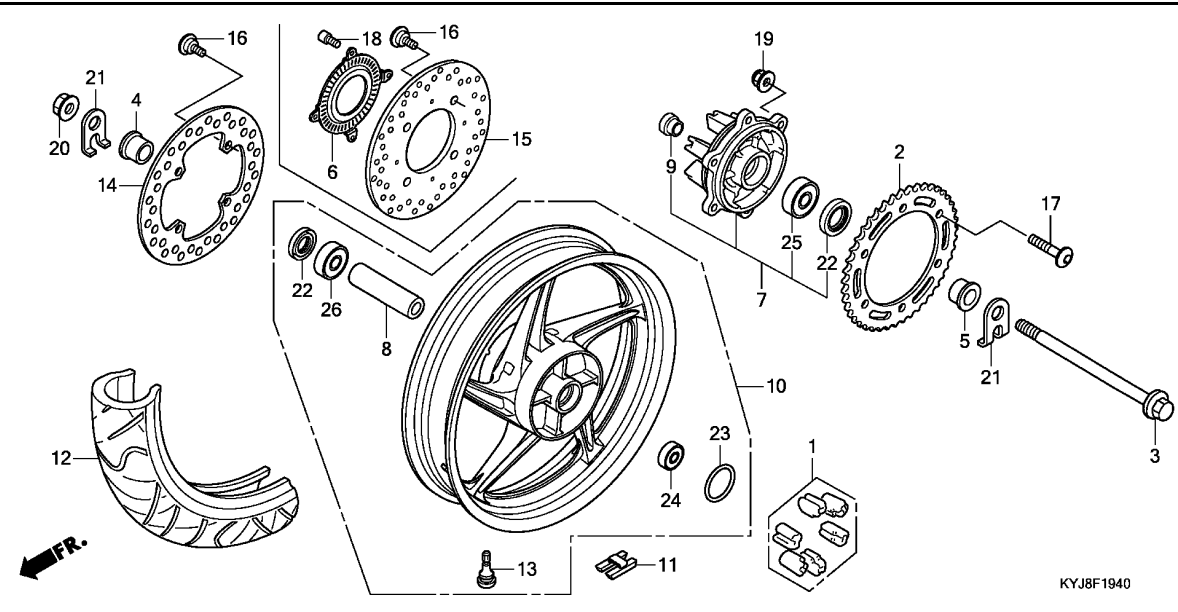
KYJ8F1700

Ref. No.	Part No.	Description	Reqd. QTY						Serial No.	Parts catalogue code
			CBR250R			CBR250RA				
			B	C	D	B	C	D		
1	06435-KYJ-901	PAD SET, RR.	1	1	1	1	1	1		
2	06451-443-405	SEAL SET, PISTON	1	1	1	1	1	1		
3	38510-KYJ-911	SENSOR, RR. WHEEL SPEED	-	-	-	1	1	1		
4	38517-KYJ-910	CLAMPER, SPEED SENSOR CORD ..	-	-	-	2	2	2		
5	43107-KT7-761	PISTON	1	1	1	1	1	1		
6	43108-MBB-006	SPRING, PAD	1	1	1	1	1	1		
7	43110-KYJ-901	BRACKET COMP., RR.	1	1	1	-	-	-		
	43110-KFK-631	-	-	-	1	1	1		
8	43112-KT7-761	RETAINER	1	1	1	1	1	1		
9	43132-KT7-761	BOOT, SLEEVE	1	1	1	1	1	1		
10	43150-KYJ-901	CALIPER SUB ASSY., RR.	1	1	1	-	-	-	-----	2U,3IN,3KO,3MA,3U,5MA,5U,6U,IN,KO,MA,U
	43150-KYJ-M61	-	-	1	-	-	-	-----	4IN,4MA,4U
	43150-KYJ-911	-	-	-	1	1	1	-----	2U,3IN,3MA,3U,5MA,5U,6U,IN,KO,MA,U
	43150-KYJ-691	-	-	-	-	-	1	-----	4IN,4KO,4MA,4U
11	43215-KZ4-J41	PIN, HANGER	1	1	1	1	1	1		
12	43352-568-003	SCREW, BLEEDER(NISSIN)	1	1	1	1	1	1		
13	43353-461-771	CAP, BLEEDER	1	1	1	1	1	1		
14	45111-MA3-006	SLEEVE	1	1	1	1	1	1		
15	45111-MAJ-G41	RING, STOPPER	1	1	1	1	1	1		
16	45131-MN9-006	BOLT, PIN	1	1	1	1	1	1		
17	45133-MA3-006	BOOT B	1	1	1	1	1	1		
18	90180-MN8-006	BOLT, FLANGE, 8X49	1	1	1	1	1	1		
19	96001-06010-07	BOLT, FLANGE, 6X10	-	-	-	3	3	3		

F-19-40

REAR WHEEL

J10



Ref. No.	L.O.N.	(Relative ref. Number) Description	F.R.T.
1		(23)	
1	710157	DAMPER, REAR WHEEL	0.4
2	7101A0	SPROCKET, FINAL DRIVEN	0.5
3		(22)	
3	710160	AXLE, REAR WHEEL	0.4
6	7101B1	RING, PULSER :REAR	0.5
7	7101A5	FLANGE ASSY., FINAL DRIVEN ...	0.5
10	710118	REAR WHEEL	1.1
		.INCLUDES: Balance	
11	7101E1	WEIGHT, BALANCE :REAR	0.7
12	710142	REAR TIRE(ONE)	1.0
		.INCLUDES: Balance	
14		(15)	
24	711145	DISC, REAR BRAKE	0.5
		(26)	
	710133	BEARING, REAR WHEEL(ONE)	0.6
	710133G	.Replace 1 bearing add	0.1
25	7101D1	BEARING, FINAL DRIVEN FLANGE ..	0.6

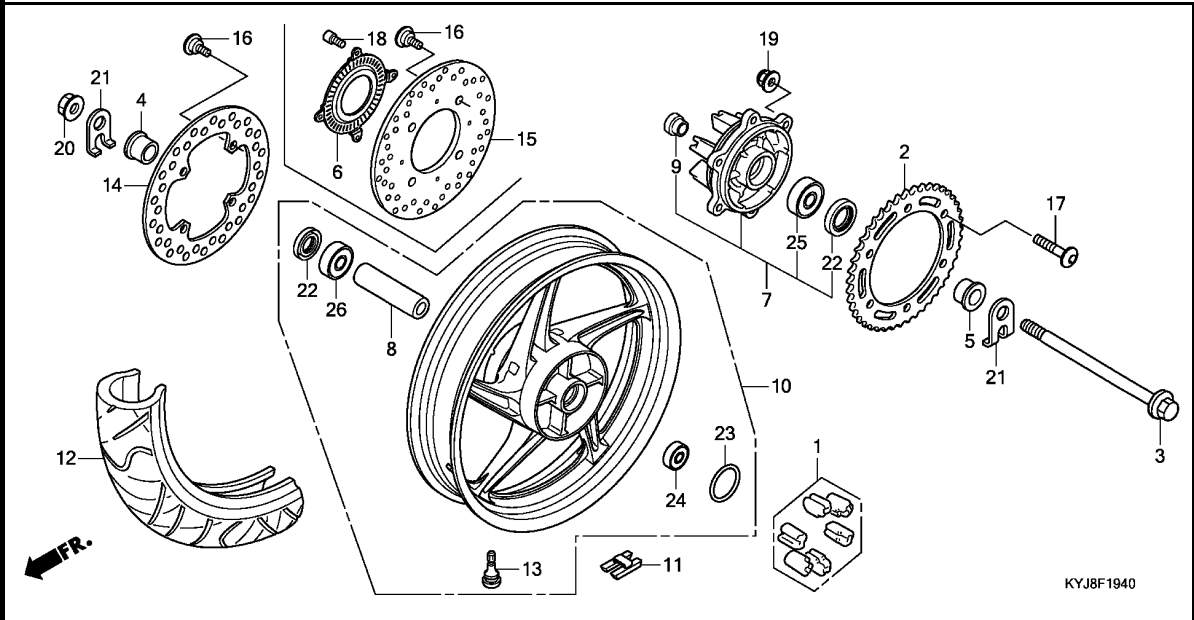
Ref. No.	Part No.	Description	Reqd. QTY						Serial No.	Parts catalogue code
			CBR250R			CBR250RA				
			B	C	D	B	C	D		
1	06410-KEA-750	DAMPER SET, WHEEL	1	1	1	1	1	1		
2	41201-KYJ-900	SPROCKET, FINAL DRIVEN(38T) ..	1	1	1	1	1	1		
3	42301-KYJ-900	AXLE, RR. WHEEL	1	1	1	1	1	1		
4	42312-KYJ-900	COLLAR, R. RR. WHEEL SIDE ...	1	1	1	1	1	1		
5	42313-KYJ-900	COLLAR, L. RR. WHEEL SIDE ...	1	1	1	1	1	1		
6	42515-KYJ-910	RING, RR. PULSER	-	-	-	1	1	1		
7	42615-KYJ-900ZA	FLANGE SUB ASSY., RR. DRIVEN								
		NH146M								
		ACCURATE SILVER METALLIC	1	1	-	1	1	-		
	42615-KYJ-900ZC	*NH303M*								
		MAT AXIS GRAY METALLIC	-	-	1	-	-	1	-----	3IN,3KO,3MA,3U,5MA,5U,6U,IN,KO,MA,U
	42615-KYJ-900ZD	*YR241*.....SAVORY ORANGE	-	-	1	-	-	1	-----	4IN,4KO,4MA,4U
8	42620-KYJ-900	COLLAR, RR. WHEEL DISTANCE ..	1	1	1	1	1	1		
9	42625-MC4-000	COLLAR B, RR. AXLE DISTANCE ..	1	1	1	1	1	1		
10	42650-KYJ-900ZA	WHEEL SUB ASSY., RR.								
		NH146M								
		ACCURATE SILVER METALLIC	1	1	-	1	1	-		
	42650-KYJ-900ZC	*NH303M*								
		MAT AXIS GRAY METALLIC	-	-	1	-	-	1	-----	3IN,3KO,3MA,3U,5MA,5U,6U,IN,KO,MA,U
	42650-KYJ-900ZD	*YR241*.....SAVORY ORANGE	-	-	1	-	-	1	-----	4IN,4KO,4MA,4U
11	42704-MER-D00	WEIGHT, BALANCE(10G)	N	N	N	N	N	N		
	42705-MER-D00	WEIGHT, BALANCE(20G)	N	N	N	N	N	N		
	42706-MER-D00	WEIGHT, BALANCE(30G)	N	N	N	N	N	N		
12	42711-KYJ-901	TIRE, RR.(IRC)								
		(140/70-17M/C 66S)	1	-	-	1	-	-		
	42711-KYJ-902	-	1	1	-	1	1		
13	42753-GM9-743	VALVE, RIM(IRC)	1	1	1	1	1	1		

3

F-19-40

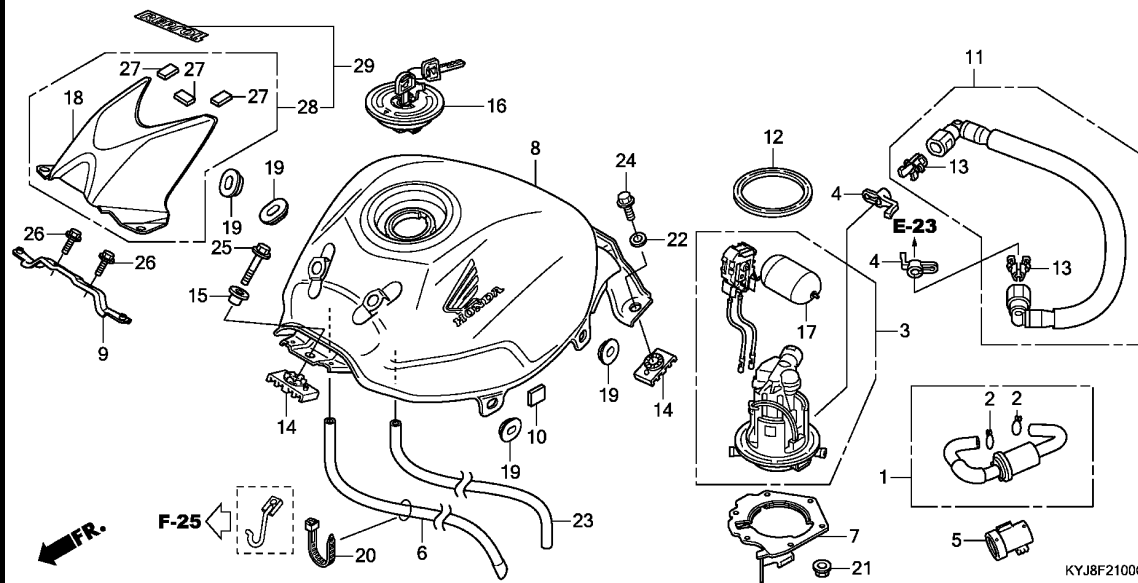
REAR WHEEL

J11



Ref. No.	Part No.	Description	Reqd. QTY						Serial No.	Parts catalogue code
			CBR250R			CBR250RA				
			B	C	D	B	C	D		
13)	42753-KWF-901	VALVE, RIM(TRITON)	1	1	1	1	1	1		
14	43251-KYJ-901	DISK, RR. BRAKE	1	1	1	-	-	-		
15	43251-KYJ-911	DISK, RR. BRAKE	-	-	-	1	1	1		
16	90105-KGH-900	BOLT, BRAKE DISK, 8X24	4	4	4	4	4	4		
17	90128-KYJ-900	BOLT, SPROCKET FIXING	6	6	6	6	6	6		
18	90131-KYJ-910	BOLT, HEX., 5X8	-	-	-	4	4	4		
19	90304-KGH-901	NUT, U, 10MM	6	6	6	6	6	6		
20	90306-KCJ-951	NUT, U, 16MM	1	1	1	1	1	1		
21	90559-KYJ-900	WASHER, RR. SWINGARM	2	2	2	2	2	2		
22	91253-443-761	DUST SEAL, 30X47X8(ARAI)	2	2	2	2	2	2		
	91253-443-762	DUST SEAL, 30X47X8(NOK)	2	2	2	2	2	2		
23	91302-317-700	O-RING, 54X2	1	1	1	1	1	1		
24	96150-62030-10	BEARING, RADIAL BALL, 6203UU	1	1	1	1	1	1		
25	96150-62040-10	BEARING, RADIAL BALL, 6204UU	1	1	1	1	1	1		
26	96150-63030-10	BEARING, RADIAL BALL, 6303UU	1	1	1	1	1	1		

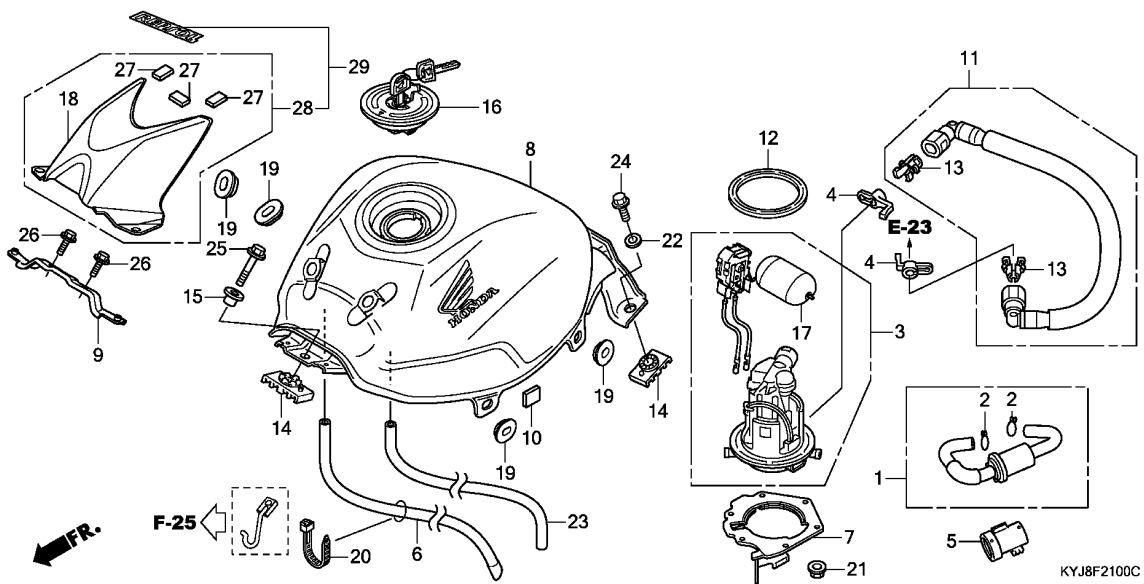
3



Ref. No.	L.O.N.	(Relative ref. Number) Description	F.R.T.
1	3101C7	FILTER, FUEL	0.8
3		(12)	
3	310120	PUMP ASSY., FUEL	0.9
8	310100	TANK, FUEL	0.9
11	310162	HOSE, FUEL FEED	0.7
17	617105	FUEL TANK SENDING UNIT	1.0
18		(28,29)	
	413121	COVER, FUEL TANK TOP	0.4

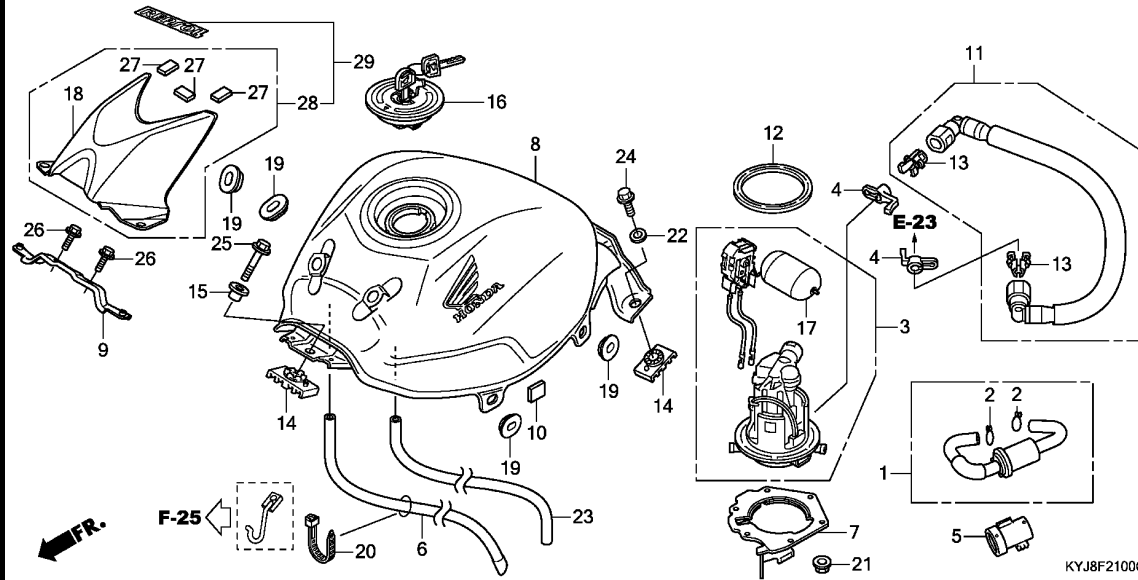
Ref. No.	Part No.	Description	Reqd. QTY						Serial No.	Parts catalogue code
			CBR250R			CBR250RA				
			B	C	D	B	C	D		
1	06160-KYJ-900	FILTER KIT, FUEL	1	1	1	1	1	1		
2	15771-KV6-000	CLIP, OIL DRAIN TUBE	2	2	2	2	2	2		
3	16700-KYJ-901	PUMP ASSY., FUEL	1	1	1	1	1	1		
4	16718-KTW-900	DAMPER A, CONNECTOR	2	2	2	2	2	2		
5	16912-KYJ-900	HOLDER, FUEL FILTER	1	1	1	1	1	1		
6	17418-KYJ-960	TUBE, FUEL TANK BREATHER	1	1	1	1	1	1		
7	17507-KYJ-900	PLATE COMP., SETTING	1	1	1	1	1	1		
8	17520-KYJ-900ZC	TANK SET, FUEL(WL)								
	TYPE2	1	1	-	-	1	-	-	-----	2U,IN,KO,MA
	TYPE1	1	-	-	-	-	-	-----	3U
	TYPE1	1	1	-	-	-	-	-	-----	IN,KO,MA,U
	TYPE3	1	1	-	-	1	-	-	-----	IN,MA
	TYPE3	1	-	-	-	-	-	-----	KO
	TYPE2	-	1	-	-	1	-	-----	
	TYPE1	-	1	-	-	-	-	-----	
	TYPE3	1	-	1	-	-	-	-	-----	
	TYPE1	-	-	1	-	-	1	-----	3IN,3KO,3MA,3U
	TYPE1	-	-	1	-	-	1	-----	4IN,4KO,4MA,4U
	TYPE3	-	-	1	-	-	1	-----	5MA,5U
	TYPE1	-	-	1	-	-	1	-----	6U
	TYPE2	-	-	1	-	-	1	-----	IN,KO,MA,U
	TYPE1	-	-	1	-	-	1	-----	IN,U
	TYPE1	1	-	-	-	1	-	-	-----	IN,MA,U
	TYPE4	-	-	-	1	-	-	-----	MA
	TYPE4	-	-	-	-	1	-	-----	MA
9	17522-KPP-T00	STAY, TANK LID	1	1	1	1	1	1		
10	17525-KPP-T00	RUBBER, FUEL TANK	2	2	2	2	2	2		





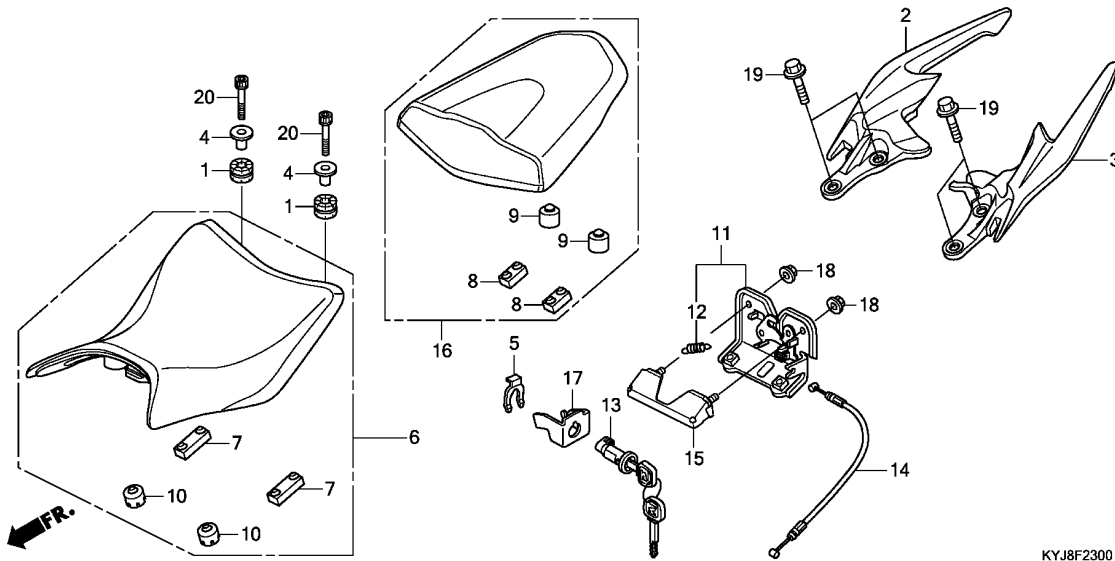
KYJ8F2100C

Ref. No.	Part No.	Description	Reqd. QTY						Serial No.	Parts catalogue code
			CBR250R			CBR250RA				
			B	C	D	B	C	D		
11	17570-KYJ-901	HOSE COMP., FUEL FEED	1	1	1	1	1	1		
12	17572-KTR-941	GASKET, FUEL PUMP	1	1	1	1	1	1		
13	17577-KSS-B31	RETAINER(GRAY)(TOKAI)	2	2	2	2	2	2		
14	17613-KPP-T00	CUSHION, FUEL TANK	3	3	3	3	3	3		
15	17614-KPP-T00	COLLAR, FUEL TANK	1	1	1	1	1	1		
16	17620-MCB-611	CAP COMP., FUEL FILLER	1	1	1	1	1	1		
17	37800-KYJ-901	FUEL UNIT	1	1	1	1	1	1		
18	64450-KPP-T00ZA	COVER, FUEL TANK *NHA35M*								
	64450-KPP-T00ZE	*ASTEROID BLACK METALLIC	1	-	-	1	-	-	-----	2U,IN,KO,MA
	64450-KPP-T00ZH	*PB308P*...PEARL SPENCER BLUE	1	-	-	-	-	-	-----	3U
	64450-KPP-T00ZG	*NHA95M*SWORD SILVER METALLIC	1	-	-	-	-	-	-----	IN,KO,MA
	64450-KPP-T00ZG	*R4C*.....CANDY RUBY RED	-	-	-	-	-	-	-----	IN,KO,MA,U
	64450-KPP-T00ZH	*NHA95M*SWORD SILVER METALLIC	-	-	-	1	-	-	-----	IN,MA
	64450-KPP-T00ZG	*R4C*.....CANDY RUBY RED	-	-	-	1	-	-	-----	IN,MA,U
	64450-KPP-T00ZB	*NH196*.....ROSS WHITE	-	-	-	1	-	-	-----	MA
19	83551-300-000	GROMMET, AIR CLEANER CASE ...	6	6	6	6	6	6		
20	90651-KYJ-900	BAND, WIRE	1	-	-	1	-	-		
21	94050-06000	NUT, FLANGE, 6MM	6	6	6	6	6	6		
22	94103-06800	WASHER, PLAIN, 6MM	2	2	2	2	2	2		
23	95005-80770-20	TUBE, 8X770(95005-80001-20M)	1	1	1	1	1	1		
24	95701-06012-08	BOLT, FLANGE, 6X12	2	2	2	2	2	2		
25	95701-08025-08	BOLT, FLANGE, 8X25	1	1	1	1	1	1		
26	93401-06014-00	BOLT-WASHER, 6X14	2	2	2	2	2	2		
27	64455-KPP-T00	RUBBER SPONGE, TANK COVER ...	-	3	3	-	3	3		



Ref. No.	Part No.	Description	Reqd. QTY						Serial No.	Parts catalogue code
			CBR250R			CBR250RA				
			B	C	D	B	C	D		
28	64700-KPP-T00ZC	COVER ASSY., FUEL TANK *NHA35M*								
		ASTEROID BLACK METALLIC	-	1	-	-	-	1	-----	5MA,5U,KO
	64700-KPP-T00ZD	*R4C*.....CANDY RUBY RED	-	1	-	-	-	-	-----	
	64700-KPP-T00ZF	*NHA95M*SWORD SILVER METALLIC	-	1	-	-	-	-	-----	
	64700-KPP-T00ZN	*NHA87P*PEARL HIMALAYAS WHITE	-	-	1	-	-	1	-----	3IN,3KO,3MA,3U
	64700-KPP-T00ZL	*PB325C*..CANDY LIGHTNING BLUE	-	-	1	-	-	1	-----	6U
	64700-KPP-T00ZJ	*NH1*.....BLACK	-	-	1	-	-	1	-----	IN,KO,MA,U
	64700-KPP-T00ZA	*R263*.....MILLENNIUM RED	-	-	1	-	-	1	-----	IN,U
	64700-KPP-T00ZC	*NHA35M*								
		ASTEROID BLACK METALLIC	-	-	1	-	-	-	-----	5MA,5U
	64700-KPP-T00ZB	*NH196*.....ROSS WHITE	-	-	-	-	-	1	-----	MA
29	64410-KTY-D70ZA	COVER SET, FUEL TANK(WL) *YR271*.....NITRIC ORANGE	-	-	1	-	-	1	-----	4IN,4KO,4MA,4U



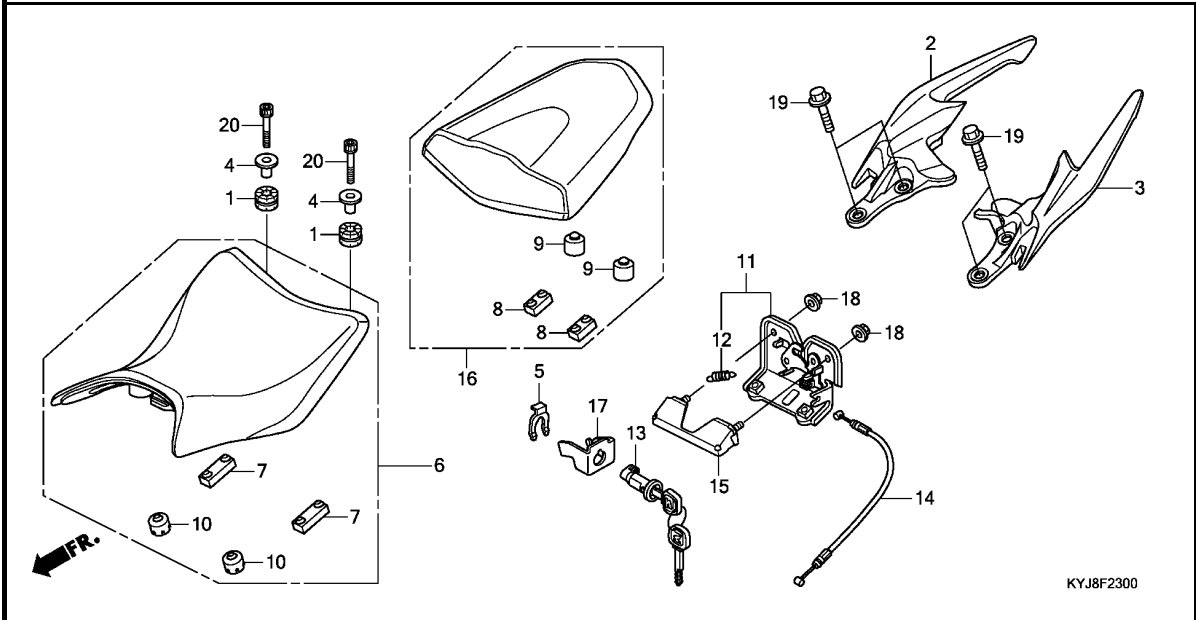


Ref. No.	L.O.N.	(Relative ref. Number) Description	F.R.T.
2	4131F4	RAIL, GRAB :RIGHT	0.1
3	4131F3	RAIL, GRAB :LEFT	0.1
	4131F5	RAIL, GRAB :BOTH	0.1
6	413150	SEAT	0.1
11	4131E8	CATCH, SEAT :REAR SIDE	0.2
13	4131F2	KEY, SEAT LOCK	0.3
14	811175	CABLE, SEAT LOCK	0.3

KYJ8F2300

Ref. No.	Part No.	Description	Reqd. QTY						Serial No.	Parts catalogue code
			CBR250R			CBR250RA				
			B	C	D	B	C	D		
1	33705-KW7-900	RUBBER A, TAILLIGHT MOUNTING	2	2	2	2	2	2		
2	50315-KPP-T00ZA	GRIP, R. RR. *NH303M* MAT AXIS GRAY METALLIC	1	1	1	1	1	1		
3	50325-KPP-T00ZA	GRIP, L. RR. *NH303M* MAT AXIS GRAY METALLIC	1	1	1	1	1	1		
4	61104-428-000	COLLAR, FR. FENDER	2	2	2	2	2	2		
5	75581-GN8-920	SPRING, LOCK KEY SETTING	1	1	1	1	1	1		
6	77100-KYJ-900	SEAT COMP., SINGLE	1	1	-	1	1	-		
	77100-KYJ-D20ZB	*TYPE1*.....	-	-	1	-	-	1	-----	3IN,3KO,3MA,3U,4IN,4KO,4MA,4U,6U,IN,KO,MA,U
	77100-KYJ-D20ZA	*TYPE2*.....	-	-	1	-	-	1	-----	5MA,5U
7	77205-286-000	RUBBER B, SEAT SETTING	2	2	2	2	2	2		
8	77205-KPP-T00	RUBBER, SEAT SETTING	2	2	2	2	2	2		
9	77207-KYJ-900	RUBBER, SEAT CUSHION	2	2	2	2	2	2		
10	77206-KPP-T00	RUBBER, SEAT CUSHION	2	2	2	2	2	2		
11	77220-KYJ-900	LOCK COMP., SEAT	1	1	1	1	1	1		
12	77234-GN2-000	SPRING, SEAT LOCK	1	1	1	1	1	1		
13	77239-KVB-900	KEY, SEAT LOCK	1	1	1	1	1	1		
14	77240-KYJ-900	CABLE, SEAT LOCK	1	1	1	1	1	1		
15	77250-KYJ-900	COVER, SEAT LOCK	1	1	1	1	1	1		
16	77300-KYJ-900	SEAT COMP., PILLION	1	1	-	1	1	-		
	77300-KPP-T00	-	-	1	-	-	1	-----	3IN,3KO,3MA,3U,4IN,4KO,4MA,4U,IN,KO,MA,U
	77300-KYJ-L40ZB	*TYPE1*.....	-	-	1	-	-	1	-----	5MA,5U
	77300-KYJ-L40ZA	*TYPE2*.....	-	-	1	-	-	1	-----	6U
17	77582-KPP-T00	STAY, SEAT LOCK CABLE	1	1	1	1	1	1		

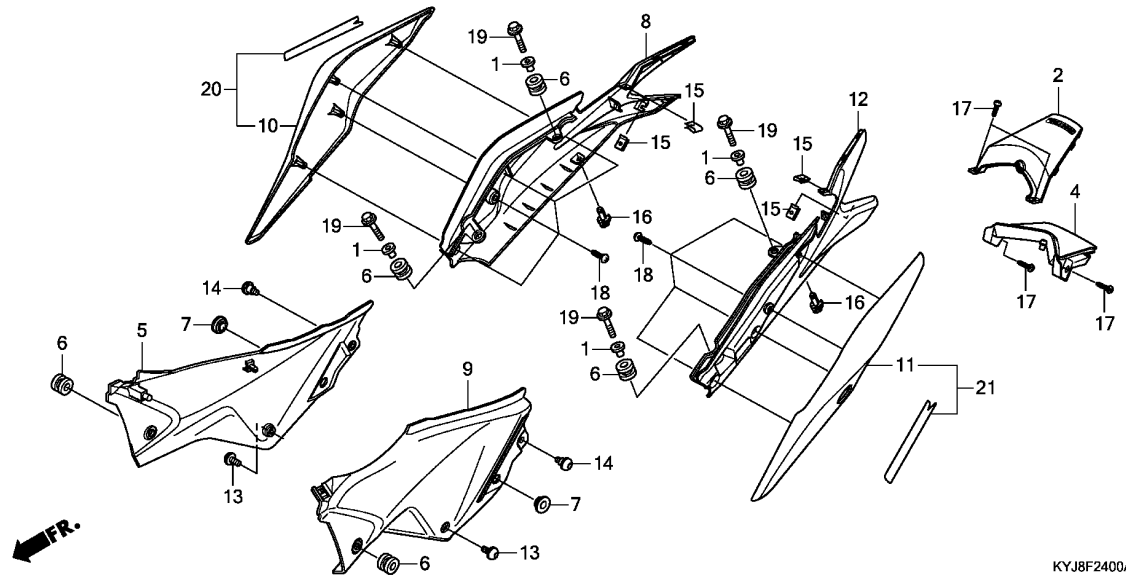
3



Ref. No.	Part No.	Description	Reqd. QTY						Serial No.	Parts catalogue code
			CBR250R			CBR250RA				
			B	C	D	B	C	D		

18	94050-06080	NUT, FLANGE, 6MM	2	2	2	2	2	2		
19	95701-08020-00	BOLT, FLANGE, 8X20	4	4	4	4	4	4		
20	96600-06025-08	BOLT, SOCKET, 6X25	2	2	2	2	2	2		

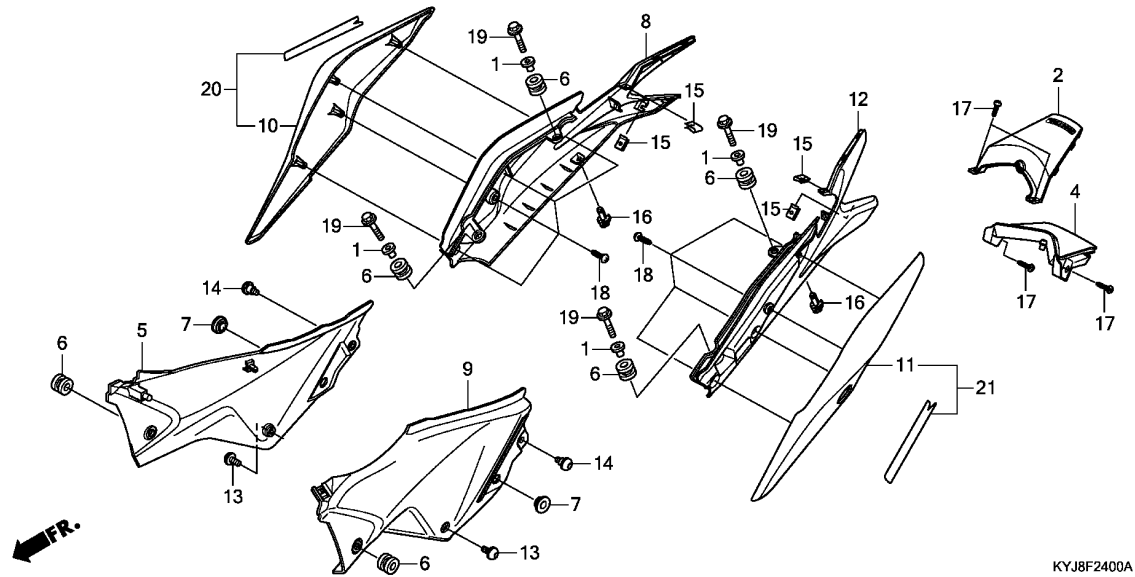




Ref. No.	L.O.N.	(Relative ref. Number) Description	F.R.T.
2	4111K7	COWL, REAR CENTER	0.4
4	4111Y0	COWL, REAR LOWER	0.3
5	4111H9	COVER, SIDE :RIGHT	0.4
8	4111X7	COWL, REAR :RIGHT	0.4
9	4111H8	COVER, SIDE :LEFT	0.4
	4111J0	COVER, SIDE :BOTH	0.7
10		(20)	
	4111J4	COWL, SEAT :RIGHT	0.3
11		(21)	
	4111J3	COWL, SEAT :LEFT	0.3
	4111M1	COWL, SEAT :BOTH	0.4
12	4111X6	COWL, REAR :LEFT	0.4
	4111X8	COWL, REAR :BOTH	0.5

KYJ8F2400A

Ref. No.	Part No.	Description	Reqd. QTY						Serial No.	Parts catalogue code
			CBR250R			CBR250RA				
			B	C	D	B	C	D		
1	17232-KYJ-900	COLLAR, AIR CLEANER MOUNTING	4	4	4	4	4	4		
2	83450-KPP-T00ZA	COWL SET, RR. CENTER UPPER(WL) *TYPE1*	1	1	1	1	1	1		
4	83501-KPP-T00	COWL, RR. CENTER LOWER	1	1	1	1	1	1		
5	83510-KYJ-900	COVER, R. SIDE	1	1	1	1	1	1		
6	83545-KCJ-690	RUBBER, SIDE COVER	6	6	6	6	6	6		
7	83551-GE2-000	GROMMET, AIR CLEANER CASE ...	2	2	2	2	2	2		
8	83600-KPP-T00	COWL, R. RR.	1	1	1	1	1	1		
9	83610-KYJ-900	COVER, L. SIDE	1	1	1	1	1	1		
10	83670-KPP-T00ZD	COVER, R. RR. *NH411M*FORCE SILVER METALLIC	1	1	-	1	1	-	-----	IN,KO,MA,U
	83670-KPP-T00ZA	*NHA35M* ASTEROID BLACK METALLIC	1	-	-	1	-	-	-----	2U
	83670-KPP-T00ZJ	*NH1*.....BLACK	-	-	1	-	-	1	-----	IN,KO,MA,U
	83670-KPP-T00ZB	*R263*.....MILLENNIUM RED	-	-	1	-	-	1	-----	IN,U
	83670-KPP-T00ZC	*NH196*.....ROSS WHITE	-	-	-	1	-	1	-----	MA
11	83680-KPP-T00ZD	COVER, L. RR. *NH411M*FORCE SILVER METALLIC	1	1	-	1	1	-	-----	IN,KO,MA,U
	83680-KPP-T00ZA	*NHA35M* ASTEROID BLACK METALLIC	1	-	-	1	-	-	-----	2U
	83680-KPP-T00ZJ	*NH1*.....BLACK	-	-	1	-	-	1	-----	IN,KO,MA,U
	83680-KPP-T00ZB	*R263*.....MILLENNIUM RED	-	-	1	-	-	1	-----	IN,U
	83680-KPP-T00ZC	*NH196*.....ROSS WHITE	-	-	-	1	-	1	-----	MA
12	83700-KPP-T00	COWL, L. RR.	1	1	1	1	1	1		
13	90132-KPP-T00	SCREW, PAN, 6X10	2	2	2	2	2	2		
14	90133-KPP-T00	SCREW, PAN, 6X14	2	2	2	2	2	2		
15	90344-KTE-910	NUT, CLIP, 4MM	4	4	4	4	4	4		



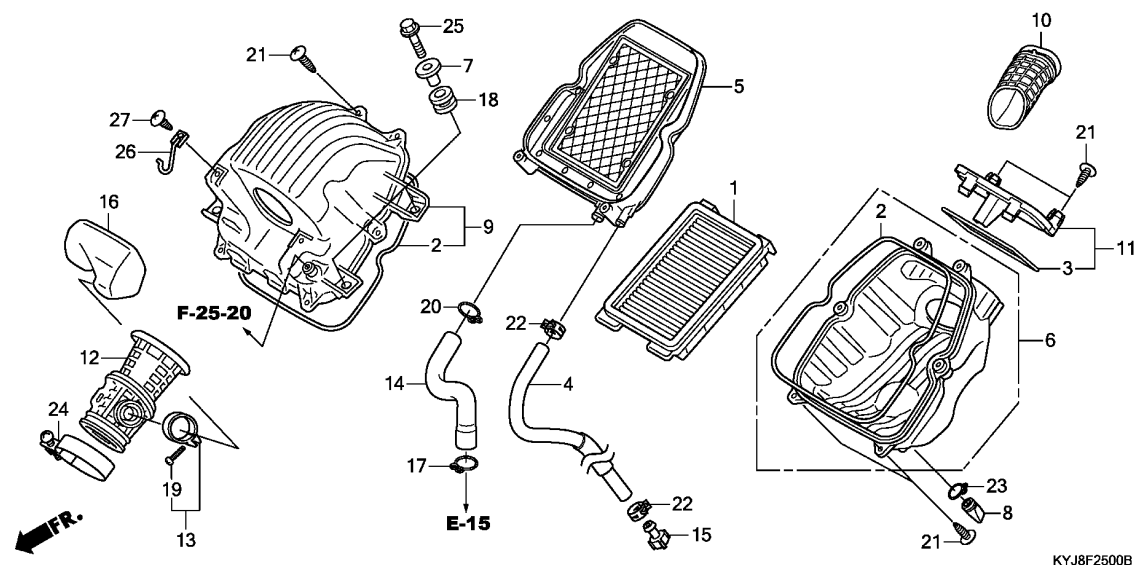
Ref. No.	Part No.	Description	Reqd. QTY						Serial No.	Parts catalogue code
			CBR250R			CBR250RA				
			B	C	D	B	C	D		
16	90683-GAZ-003	CLIP, TRIM	2	2	2	2	2	2		
17	93903-24380	SCREW, TAPPING, 4X12	4	4	4	4	4	4		
18	93903-25280	SCREW, TAPPING, 5X12	8	8	8	8	8	8		
19	95701-06020-08	BOLT, FLANGE, 6X20	4	4	4	4	4	4		
20	83620-KYJ-960ZA	COVER SET, R. RR.(WL)								
	NH196ROSS WHITE	1	-	-	-	-	-	-----	3U
	83620-KYJ-K20ZA	*TYPE1*	-	-	1	-	-	1	-----	3IN,3KO,3MA,3U
	83620-KTY-D70ZA	*YR271*	-	-	1	-	-	1	-----	4IN,4KO,4MA,4U
	83620-KYJ-L40ZA	*TYPE1*	-	-	1	-	-	1	-----	5MA,5U
	83620-KYJ-L50ZA	*TYPE1*	-	-	1	-	-	1	-----	6U
21	83630-KYJ-960ZA	COVER SET, L. RR.(WL)								
	NH196ROSS WHITE	1	-	-	-	-	-	-----	3U
	83630-KYJ-K20ZA	*TYPE1*	-	-	1	-	-	1	-----	3IN,3KO,3MA,3U
	83630-KTY-D70ZA	*YR271*	-	-	1	-	-	1	-----	4IN,4KO,4MA,4U
	83630-KYJ-L40ZA	*TYPE1*	-	-	1	-	-	1	-----	5MA,5U
	83630-KYJ-L50ZA	*TYPE1*	-	-	1	-	-	1	-----	6U



F-25

AIR CLEANER

K 3



Ref. No.	L.O.N.	(Relative ref. Number) Description	F.R.T.
1		(2)	
312105		ELEMENT, AIR CLEANER	0.2
6		(5,10)	
3121A5		CASE, AIR CLEANER	1.2
9		COVER, AIR CLEANER CASE	1.3
12		TUBE, AIR CLEANER CONNECTING ..	1.3
16		RESONATOR	1.0

KYJ8F2500B

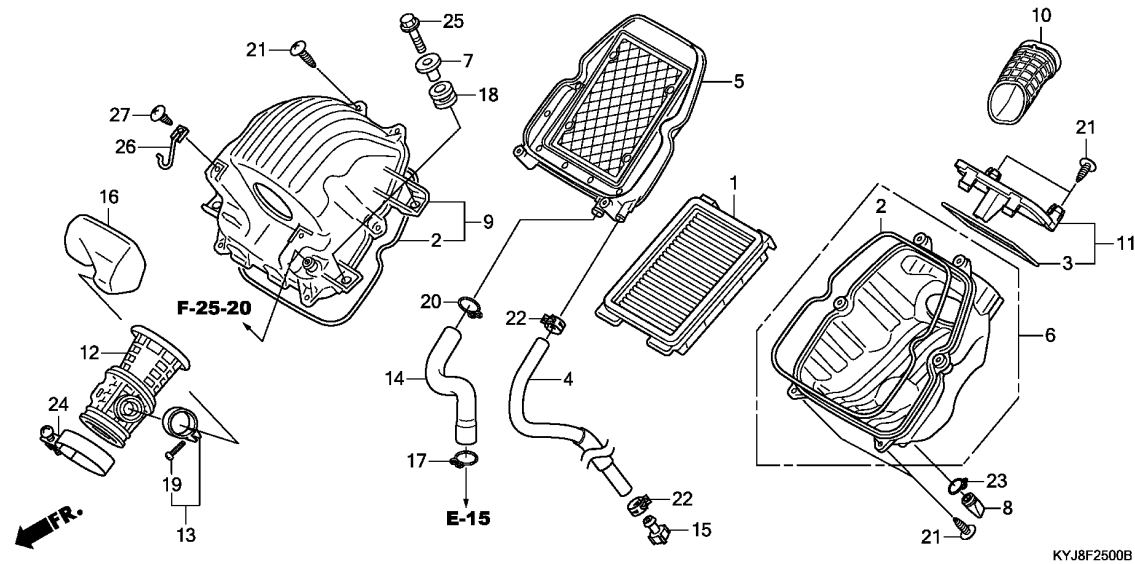
Ref. No.	Part No.	Description	Reqd. QTY						Serial No.	Parts catalogue code
			CBR250R			CBR250RA				
			B	C	D	B	C	D		
1	17211-KYJ-900	ELEMENT COMP., AIR CLEANER ..	1	1	1	1	1	1		
2	17213-KYJ-900	SEAL, AIR CLEANER	2	2	2	2	2	2		
3	17214-KYJ-900	SEAL, LID	1	1	1	1	1	1		
4	17215-KYJ-900	TUBE, AIR CLEANER DRAIN	1	1	1	1	1	1		
5	17220-KYJ-900	HOLDER COMP., ELEMENT	1	1	1	1	1	1		
6	17225-KYJ-900	CASE SUB ASSY., AIR CLEANER ..	1	1	1	1	1	1		
7	17232-KYJ-900	COLLAR, AIR CLEANER MOUNTING ..	4	4	4	4	4	4		
8	17234-KCW-871	TUBE, AIR CLEANER DRAIN	1	1	1	1	1	1		
9	17235-KYJ-900	COVER SUB ASSY., AIR CLEANER ..	1	1	1	1	1	1		
10	17240-KYJ-900	DUCT, INLET	1	1	1	1	1	1		
11	17245-KYJ-900	LID SUB ASSY., AIR CLEANER ..	1	1	1	1	1	1		
12	17253-KYJ-900	TUBE, AIR CLEANER CONNECTING ..	1	1	1	1	1	1		
13	17255-MCG-000	BAND, RESONATOR(28)	1	1	1	1	1	1		
14	17265-KYJ-900	TUBE, BREATHER	1	1	1	1	1	1		
15	17370-419-700	PLUG, BREATHER TUBE	1	1	1	1	1	1		
16	17410-KYJ-900	RESONATOR	1	1	1	1	1	1		
17	17724-102-700	CLIP, SUB TANK HOSE	1	1	1	1	1	1		
18	83545-KCJ-690	RUBBER, SIDE COVER	4	4	4	4	4	4		
19	90227-GHR-E00	SCREW, PAN, 5X25	1	1	1	1	1	1		
20	90646-657-000	CLIP, AIR HOSE, 16MM	1	1	1	1	1	1		
21	93903-25480	SCREW, TAPPING, 5X20	10	10	10	10	10	10		
22	95002-41200-00	CLAMP, TUBE(D12)	2	2	2	2	2	2		
23	95002-80000	CLIP, TUBE(C12)	1	1	1	1	1	1		
24	95018-56250	BAND, AIR CLEANER CONNECTING TUBE(56)	1	1	1	1	1	1		

3

F-25

AIR CLEANER

K 4



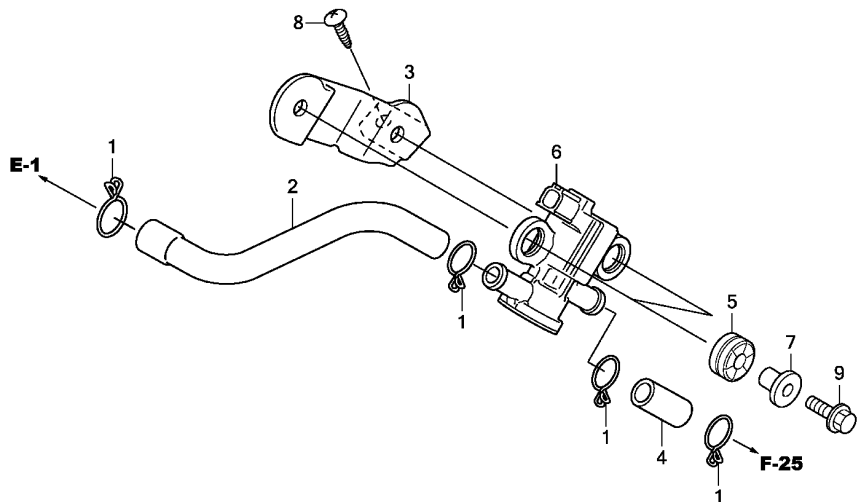
Ref. No.	Part No.	Description	Reqd. QTY						Serial No.	Parts catalogue code
			CBR250R			CBR250RA				
			B	C	D	B	C	D		
25	95701-06020-08	BOLT, FLANGE, 6X20	4	4	4	4	4	4		
26	17512-KYJ-960	GUIDE, BREATHER TUBE	1	1	1	1	1	1		
27	93903-25280	SCREW, TAPPING, 5X12	1	1	1	1	1	1		

3

F-25-20

AIR INJECTION SOLENOID VALVE

K 5



FR.

KYJ8F2520

Ref. No.	L.O.N.	(Relative ref. Number) Description	F.R.T.
----------	--------	------------------------------------	--------

6	314130	VALVE, SECONDARY AIR CONTROL	0.7
---	--------	------------------------------	-----

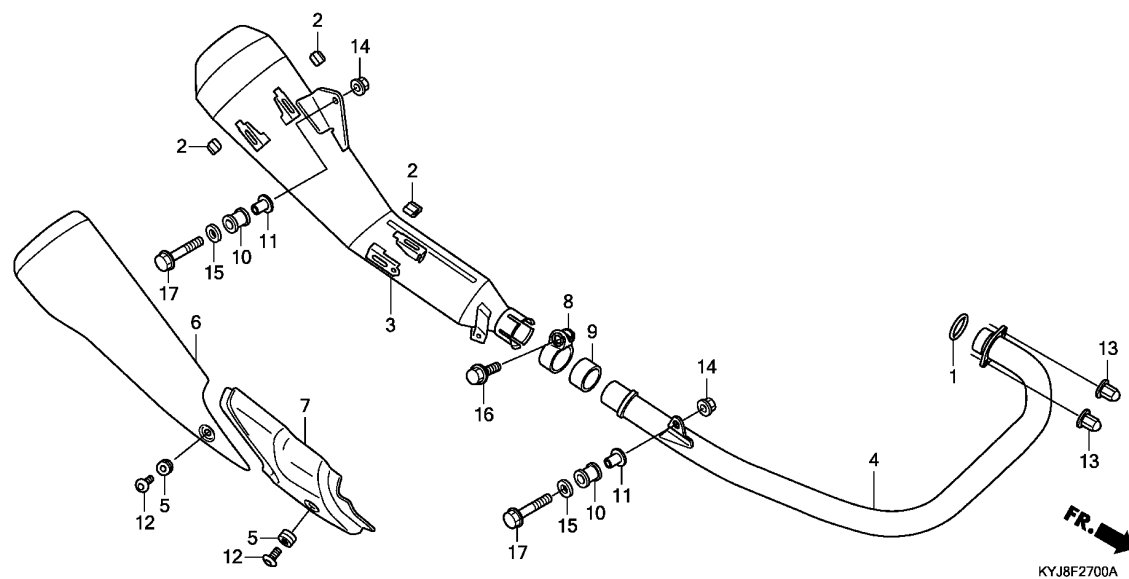
Ref. No.	Part No.	Description	Reqd. QTY						Serial No.	Parts catalogue code
			CBR250R			CBR250RA				
			B	C	D	B	C	D		
1	15772-551-000	CLIP, BREATHER TUBE	4	4	4	4	4	4		
2	18613-KYJ-900	HOSE, AIR INJECTION SOLENOID VALVE	1	1	1	1	1	1		
3	18652-KYJ-900	STAY COMP., AIR INJECTION SOLENOID VALVE	1	1	1	1	1	1		
4	18653-KYJ-900	TUBE(AISV-AIR CLEANER)	1	1	1	1	1	1		
5	33115-KVK-900	RUBBER, HEADLIGHT	2	2	2	2	2	2		
6	36450-KVK-901	VALVE ASSY., AIR INJECTION SOLENOID	1	1	1	1	1	1		
7	61104-428-000	COLLAR, FR. FENDER	2	2	2	2	2	2		
8	93903-25280	SCREW, TAPPING, 5X12	1	1	1	1	1	1		
9	95701-06022-08	BOLT, FLANGE, 6X22	2	2	2	2	2	2		

3

F-27

EXHAUST MUFFLER

K 6



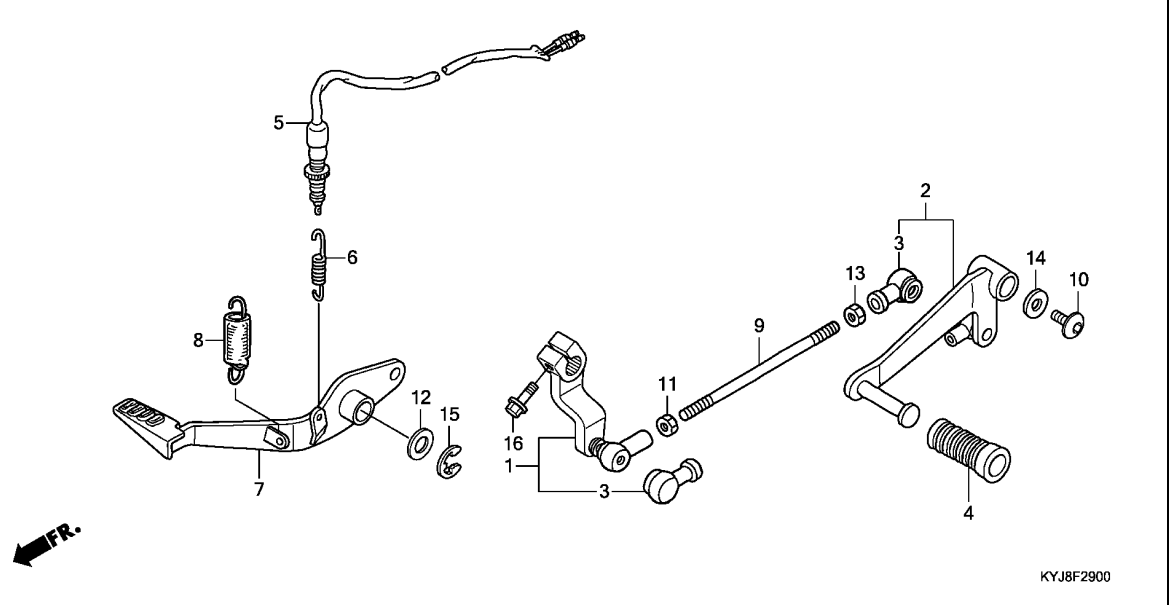
Ref. No.	L.O.N.	(Relative ref. Number) Description	F.R.T.
1	3131B4	GASKET, EXHAUST PIPE	0.5
3	(9)		
3	313120	MUFFLER	0.2
4	313110	PIPE, EXHAUST	0.5
6	(7)		
6	4111X4	COVER, MUFFLER	0.1

.NOTE: Same time for two units

KYJ8F2700A

Ref. No.	Part No.	Description	Reqd. QTY						Serial No.	Parts catalogue code
			CBR250R			CBR250RA				
			B	C	D	B	C	D		
1	18291-MEB-670	GASKET, EX. PIPE	1	1	1	1	1	1		
2	18293-MNO-000	RUBBER, PROTECTOR	3	3	3	3	3	3		
3	18310-KYJ-900	MUFFLER COMP.	1	1	1	1	1	1		
4	18320-KYJ-900	PIPE COMP., EX.	1	1	1	1	1	1		
5	18345-MBT-610	RUBBER, PROTECTOR MOUNTING ..	2	2	2	2	2	2		
6	18355-KYJ-900	COVER A, MUFFLER	1	1	-	1	1	-		
	18355-KYJ-D20	-	-	1	-	-	1		
7	18356-KYJ-900	COVER B, MUFFLER	1	1	1	1	1	1		
8	18373-KYJ-900	BAND, MUFFLER	1	1	1	1	1	1		
9	18392-KYJ-901	PACKING, MUFFLER	1	1	1	1	1	1		
10	18421-MB0-000	RUBBER, MUFFLER MOUNTING	2	2	2	2	2	2		
11	18422-KAF-700	COLLAR, MUFFLER MOUNTING	2	2	2	2	2	2		
12	90113-KTA-920	SCREW, PAN, 6X12	2	2	2	2	2	2		
13	90304-KPH-700	NUT, HEX. CAP, 8MM	2	2	2	2	2	2		
14	94050-08000	NUT, FLANGE, 8MM	2	2	2	2	2	2		
15	94103-08000	WASHER, PLAIN, 8MM	2	2	2	2	2	2		
16	95701-08038-02	BOLT, FLANGE, 8X38	1	1	1	1	1	1		
17	95701-08050-00	BOLT, FLANGE, 8X50	2	2	2	2	2	2		

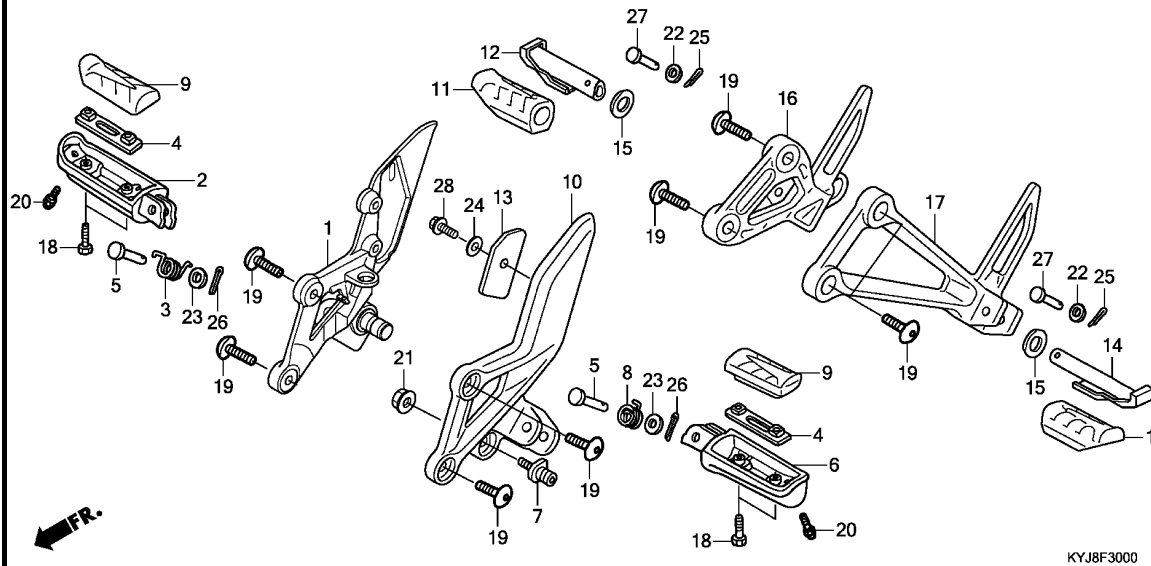
3



Ref. No.	L.O.N.	(Relative ref. Number) Description	F.R.T.
1		(9)	
4101A2		ARM, GEAR CHANGE	0.1
2		(9)	
4101A1		PEDAL, GEAR CHANGE	0.1
5		6151B5 SWITCH, REAR STOP :PEDAL SIDE	0.7
7		810160 PEDAL, REAR BRAKE	0.2

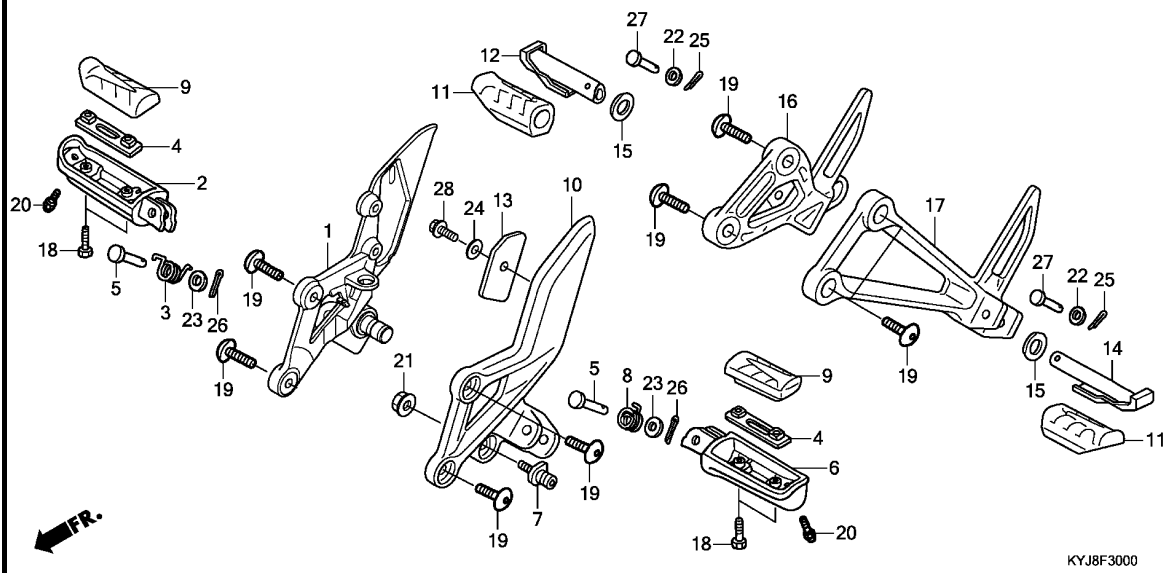
3

Ref. No.	Part No.	Description	Reqd. QTY						Serial No.	Parts catalogue code
			CBR250R			CBR250RA				
			B	C	D	B	C	D		
1	24710-KYJ-000	ARM COMP., GEAR CHANGE	1	1	1	1	1	1		
2	24720-KYJ-000	PEDAL COMP., GEAR CHANGE	1	1	1	1	1	1		
3	24724-MBW-D21	COVER, DUST	2	2	2	2	2	2		
4	24781-KR3-770	RUBBER, GEAR CHANGE PEDAL ...	1	1	1	1	1	1		
5	35350-KYJ-901	SWITCH ASSY., RR. STOP	1	1	1	1	1	1		
6	35357-HP0-A00	SPRING, STOP SWITCH	1	1	1	1	1	1		
7	46500-KYJ-900	PEDAL COMP., RR. BRAKE	1	1	1	1	1	1		
8	46513-KYJ-900	SPRING ASSY., BRAKE PEDAL ...	1	1	1	1	1	1		
9	90105-KYJ-900	BOLT, TIE ROD	1	1	1	1	1	1		
10	90132-KPP-T00	SCREW, PAN, 6X10	1	1	1	1	1	1		
11	90301-KYJ-900	NUT, SPECIAL, 6MM (LEFT HAND THREAD)	1	1	1	1	1	1		
12	90557-230-000	WASHER, 15.2X25	1	1	1	1	1	1		
13	94001-06000-0S	NUT, HEX., 6MM	1	1	1	1	1	1		
14	94103-06700	WASHER, PLAIN, 6MM	1	1	1	1	1	1		
15	94511-15000	CIRCLIP, EXTERNAL, 15MM	1	1	1	1	1	1		
16	95701-06020-07	BOLT, FLANGE, 6X20	1	1	1	1	1	1		



Ref. No.	L.O.N.	(Relative ref. Number) Description	F.R.T.
1	4101N2	HOLDER, STEP :RIGHT	0.3
2	4101C6	BAR, MAIN STEP :RIGHT	0.1
6	4101C5	BAR, MAIN STEP :LEFT	0.1
	4101J1	BAR, MAIN STEP :BOTH	0.2
10	4101N1	HOLDER, STEP :LEFT	0.3
	4101N6	HOLDER, STEP :BOTH	0.6
12	(11)		
	4101C8	BAR, PILLION STEP :RIGHT	0.1
14	(11)		
	4101C7	BAR, PILLION STEP :LEFT	0.1
	4101P4	BAR, PILLION STEP :BOTH	0.2
16	4101D0	BRACKET, PILLION STEP :RIGHT ..	0.2
17	4101C9	BRACKET, PILLION STEP :LEFT ..	0.2
	4101K4	BRACKET, PILLION STEP :BOTH ..	0.4

Ref. No.	Part No.	Description	Reqd. QTY						Serial No.	Parts catalogue code
			CBR250R			CBR250RA				
			B	C	D	B	C	D		
1	50600-KYJ-900	HOLDER, R. STEP	1	1	1	1	1	1		
2	50612-MM5-000	ARM, R. STEP	1	1	1	1	1	1		
3	50617-445-840	SPRING, R. STEP RETURN	1	1	1	1	1	1		
4	50619-MM5-000	PLATE, STEP SETTING	2	2	2	2	2	2		
5	50639-MLO-010	PIN, STEP BAR	2	2	2	2	2	2		
6	50642-MM5-000	ARM, L. STEP	1	1	1	1	1	1		
7	50643-KYJ-900	PIVOT, CHANGE PEDAL	1	1	1	1	1	1		
8	50644-445-840	SPRING, L. STEP RETURN	1	1	1	1	1	1		
9	50661-KYJ-900	RUBBER, MAIN STEP	2	2	2	2	2	2		
10	50700-KYJ-900	HOLDER, L. STEP	1	1	1	1	1	1		
11	50710-KYJ-900	RUBBER, PILLION STEP	2	2	2	2	2	2		
12	50711-KET-600	BAR, R. PILLION STEP	1	1	1	1	1	1		
13	50711-KYJ-900	WEIGHT, STEP HOLDER	1	1	1	1	1	1		
14	50712-KET-600	BAR, L. PILLION STEP	1	1	1	1	1	1		
15	50714-KBA-930	PLATE, PILLION STEP SIDE	2	2	2	2	2	2		
16	50715-KYJ-900	HOLDER, R. PILLION STEP	1	1	1	1	1	1		
17	50725-KYJ-900	HOLDER, L. PILLION STEP	1	1	1	1	1	1		
18	90115-MV9-000	BOLT, MAIN STEP RUBBER SETTING	4	4	4	4	4	4		
19	90127-KYJ-900	BOLT, SOCKET, 8X22	8	8	8	8	8	8		
20	92501-08008-0A	BOLT, CAP, 8X8	2	2	2	2	2	2		
21	94050-08080	NUT, FLANGE, 8MM	1	1	1	1	1	1		
22	94101-06000	WASHER, PLAIN, 6MM	2	2	2	2	2	2		
23	94102-08000	WASHER, PLAIN, 8MM	2	2	2	2	2	2		
24	94103-06700	WASHER, PLAIN, 6MM	1	1	1	1	1	1		
25	94201-16150	PIN, SPLIT, 1.6X15	2	2	2	2	2	2		



KYJ8F3000

3

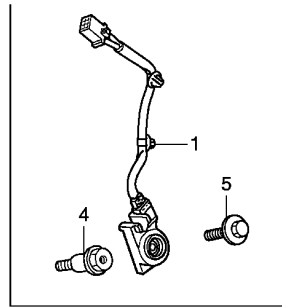
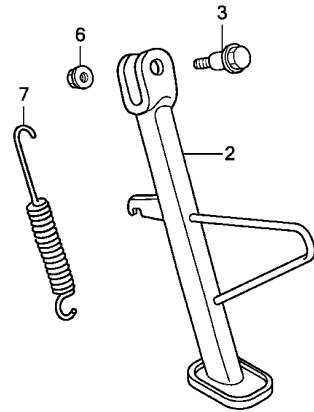
Ref. No.	Part No.	Description	Reqd. QTY						Serial No.	Parts catalogue code
			CBR250R			CBR250RA				
			B	C	D	B	C	D		

26	94201-20150	PIN, SPLIT, 2.0X15	2	2	2	2	2	2		
27	95015-82000	PIN B, PILLION STEP	2	2	2	2	2	2		
28	95701-06010-07	BOLT, FLANGE, 6X10	1	1	1	1	1	1		

F-31

STAND

K10

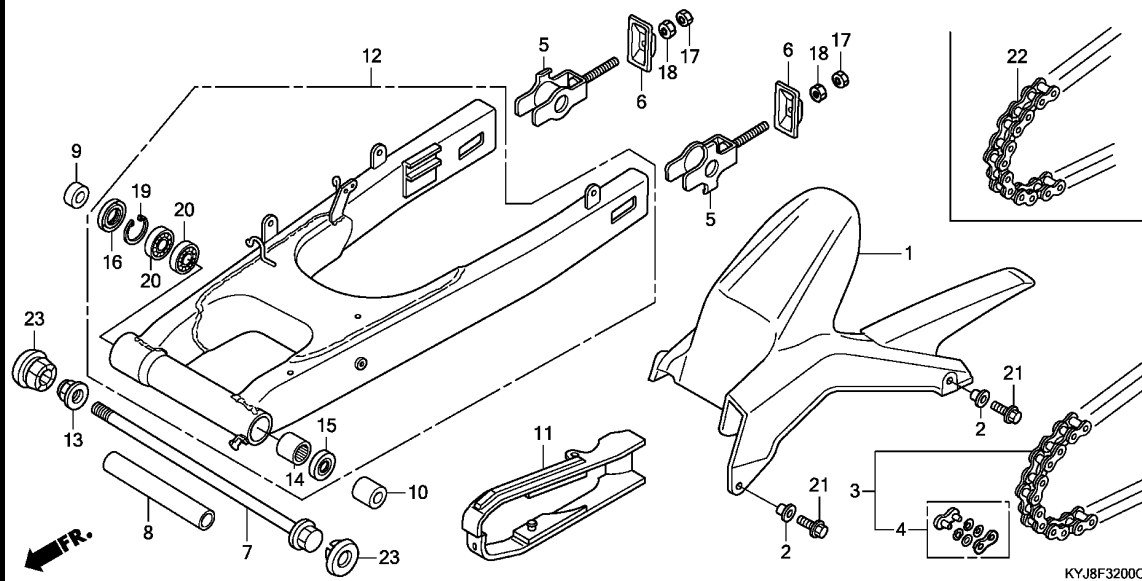


KYJ8F3100

Ref. No.	L.O.N.	(Relative ref. Number) Description	F.R.T.
1	615195	SWITCH, SIDE STAND	0.6
2	410180	BAR, SIDE STAND	0.2
7	410182	SPRING, SIDE STAND	0.1

Ref. No.	Part No.	Description	Reqd. QTY						Serial No.	Parts catalogue code
			CBR250R			CBR250RA				
			B	C	D	B	C	D		
1	35700-KYJ-961	SWITCH ASSY., SIDE STAND	1	1	1	1	1	1	-----	2U,3K0,3U,4K0,4U,5U,6U,K0,U
2	50530-KYJ-900	BAR COMP., SIDE STAND	1	1	1	1	1	1	-----	3IN,3MA,4IN,4MA,5MA,IN,MA
3	90107-GN1-010	SCREW, SIDE STAND PIVOT	1	-	1	1	-	1	-----	2U,3U,K0,U
4	90108-KPP-860	BOLT, SIDE STAND PIVOT	1	-	-	1	-	-	-----	3K0,3U,4K0,4U,5U,6U,K0,U
	90108-MK6-670	-	1	1	-	1	1	-----	2U,3K0,3U,4K0,4U,5U,6U,K0,U
5	90132-KYJ-960	BOLT, SPECIAL, 6X16	1	1	1	1	1	1	-----	3K0,3U,4K0,4U,5U,6U,K0,U
6	90304-KGH-901	NUT, U, 10MM	1	-	-	1	-	-	-----	3K0,3U,4K0,4U,5U,6U,K0,U
	90203-KVB-900	NUT, SIDE STAND	-	1	1	-	1	1	-----	3IN,3MA,4IN,4MA,5MA,IN,MA
	90304-KGH-901	NUT, U, 10MM	-	-	1	-	-	1	-----	3IN,3MA,4IN,4MA,5MA,IN,MA
7	95014-72102	SPRING A, SIDE STAND	1	1	1	1	1	1	-----	

3



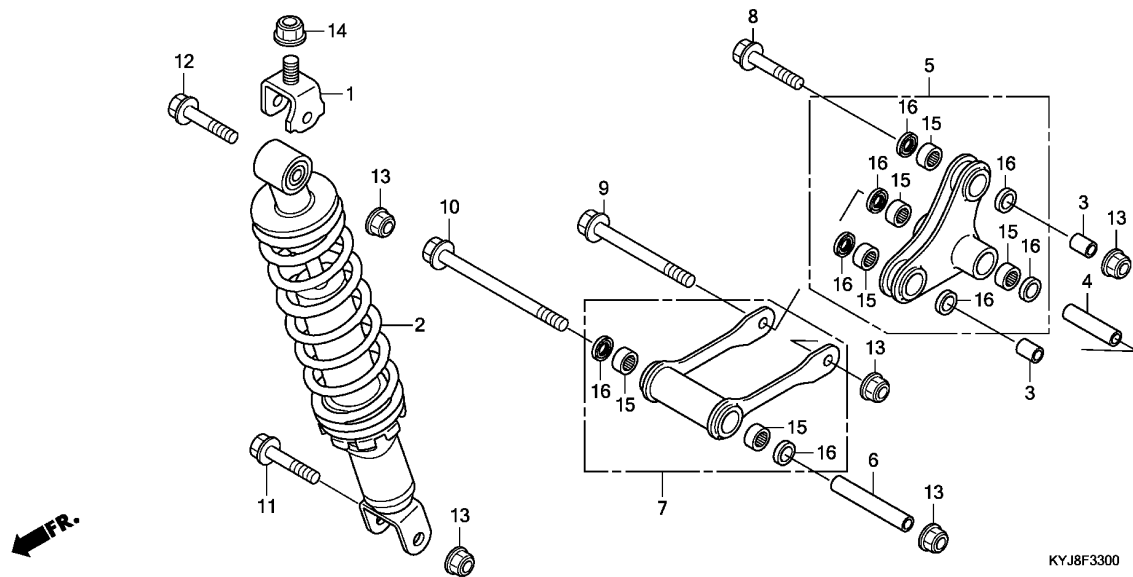
Ref. No.	L.O.N.	(Relative ref. Number) Description	F.R.T.
1	410195	CASE, DRIVE CHAIN	0.1
3	213165	CHAIN, DRIVE	0.5
11	4101E5	SLIDER, CHAIN	1.1
12	5121B0	SWINGARM ASSEMBLY	1.1
14	5121C8	BEARING, SWINGARM PIVOT :LEFT	1.4
20	5121C9	BEARING, SWINGARM PIVOT :RIGHT	1.2
.NOTE: Same time for two units			
	5121D0	BEARING, SWINGARM PIVOT :BOTH	1.4
22	2131M1	CHAIN, DRIVE(ENDLESS)	1.1

3

Ref. No.	Part No.	Description	Reqd. QTY						Serial No.	Parts catalogue code
			CBR250R			CBR250RA				
			B	C	D	B	C	D		
1	40510-KYJ-900	CASE, DRIVE CHAIN	1	1	1	1	1	1		
2	40511-KYJ-900	COLLAR	4	4	4	4	4	4		
3	40540-KYJ-901	CHAIN, DRIVE(RK520KLO-120LJFZ) (STANDARD LINK 108L)	1	1	-	-	1	-	-----	2U,3U,K0,U
	40540-KYJ-902	CHAIN, DRIVE(DID520VF-120ZB) (STANDARD LINK 108L)	1	1	-	-	1	-	-----	2U,3U,K0,U
	40540-KYJ-901	CHAIN, DRIVE(RK520KLO-120LJFZ) (STANDARD LINK 108L)	-	-	1	-	-	-	-----	3IN,3K0,3U,4IN,4U,5U,6U,IN,K0,U
	40540-KYJ-902	CHAIN, DRIVE(DID520VF-120ZB) (STANDARD LINK 108L)	-	-	1	-	-	-	-----	3IN,3K0,3U,4IN,4U,5U,6U,IN,K0,U
	40540-KYJ-901	CHAIN, DRIVE(RK520KLO-120LJFZ) (STANDARD LINK 108L)	-	-	-	1	-	-	-----	2U,K0,U
	40540-KYJ-902	CHAIN, DRIVE(DID520VF-120ZB) (STANDARD LINK 108L)	-	-	-	1	-	-	-----	2U,K0,U
	40540-KYJ-901	CHAIN, DRIVE(RK520KLO-120LJFZ) (STANDARD LINK 108L)	-	-	-	-	-	1	-----	3IN,3U,4IN,4K0,4U,5U,6U,IN,U
	40540-KYJ-902	CHAIN, DRIVE(DID520VF-120ZB) (STANDARD LINK 108L)	-	-	-	-	-	1	-----	3IN,3U,4IN,4K0,4U,5U,6U,IN,U
4	40545-KYJ-901	JOINT, DRIVE CHAIN(RK EXCEL)	1	1	-	-	1	-	-----	2U,3U,K0,U
	40545-KYJ-902	JOINT, DRIVE CHAIN(DAIDO) ...	1	1	-	-	1	-	-----	2U,3U,K0,U
	40545-KYJ-901	JOINT, DRIVE CHAIN(RK EXCEL)	-	-	1	-	-	-	-----	3IN,3K0,3U,4IN,4U,5U,6U,IN,K0,U
	40545-KYJ-902	JOINT, DRIVE CHAIN(DAIDO) ...	-	-	1	-	-	-	-----	3IN,3K0,3U,4IN,4U,5U,6U,IN,K0,U
	40545-KYJ-901	JOINT, DRIVE CHAIN(RK EXCEL)	-	-	-	1	-	-	-----	2U,K0,U
	40545-KYJ-902	JOINT, DRIVE CHAIN(DAIDO) ...	-	-	-	1	-	-	-----	2U,K0,U
	40545-KYJ-901	JOINT, DRIVE CHAIN(RK EXCEL)	-	-	-	-	-	1	-----	3IN,3U,4IN,4K0,4U,5U,6U,IN,U
	40545-KYJ-902	JOINT, DRIVE CHAIN(DAIDO) ...	-	-	-	-	-	1	-----	3IN,3U,4IN,4K0,4U,5U,6U,IN,U
5	40543-KYJ-900	ADJUSTER COMP., CHAIN	2	2	2	2	2	2		
6	40546-KYJ-900	CAP, SWINGARM END	2	2	2	2	2	2	-----	2U,3IN,3K0,3MA,3U,5MA,5U,6U,IN,K0,MA,U

Ref. No.	Part No.	Description	Reqd. QTY						Serial No.	Parts catalogue code
			CBR250R			CBR250RA				
			B	C	D	B	C	D		
(6)	40546-KYJ-M60	CAP, SWINGARM END	-	-	2	-	-	2	-----	4IN,4KO,4MA,4U
7	52101-KYJ-900	BOLT, SWINGARM PIVOT	1	1	1	1	1	1		
8	52102-ML4-000	COLLAR, PIVOT DISTANCE	1	1	1	1	1	1		
9	52105-MJ0-000	COLLAR B, RR. FORK PIVOT	1	1	1	1	1	1		
10	52106-KYJ-900	COLLAR, PIVOT	1	1	1	1	1	1		
11	52170-KYJ-900	SLIDER, CHAIN	1	1	1	1	1	1		
12	52200-KYJ-900	SWINGARM SUB ASSY., RR.	1	1	1	1	1	1	-----	2U,3IN,3KO,3MA,3U,5MA,5U,6U,IN,KO,MA,U
	52200-KYJ-M60	-	-	1	-	-	1	-----	4IN,4KO,4MA,4U
13	90305-KCJ-951	NUT, U, 14MM	1	1	1	1	1	1		
14	91071-MJ0-003	BEARING, NEEDLE, 22X29X30(NTN)	1	1	1	1	1	1		
	91072-KYJ-711	BEARING, NEEDLE, 22X29X30(NRB)	1	1	1	1	1	1		
15	91205-965-003	OIL SEAL, 22X31X5(ARAI)	1	1	1	1	1	1		
16	91213-MB2-003	DUST SEAL, 22X35X7(ARAI)	1	1	1	1	1	1		
	91213-MB2-006	DUST SEAL, 22X35X7(NOK)	1	1	1	1	1	1		
17	94002-08000-0S	NUT, HEX., 8MM	2	2	2	2	2	2		
18	94031-08000	NUT, HEX., 8MM	2	2	2	2	2	2		
19	94520-35000	CIRCLIP, INTERNAL, 35MM	1	1	1	1	1	1		
20	96100-62020-10	BEARING, RADIAL BALL, 6202 ..	2	2	2	2	2	2		
21	95701-06012-07	BOLT, FLANGE, 6X12	4	4	4	4	4	4		
22	40530-KYJ-901	CHAIN, DRIVE(RK520KLO-108LE) (ENDLESS TYPE)	1	-	-	1	-	-	-----	IN,MA
	40530-KYJ-902	CHAIN, DRIVE(DID520VF-108LE) (ENDLESS TYPE)	1	-	-	1	-	-	-----	IN,MA
	40530-KYJ-901	CHAIN, DRIVE(RK520KLO-108LE) (ENDLESS TYPE)	-	-	1	-	-	1	-----	3MA,4MA,5MA,MA
	40530-KYJ-902	CHAIN, DRIVE(DID520VF-108LE) (ENDLESS TYPE)	-	-	1	-	-	1	-----	3MA,4MA,5MA,MA
23	52161-KYJ-900	CAP, RR. FORK PIVOT	2	2	2	2	2	2		





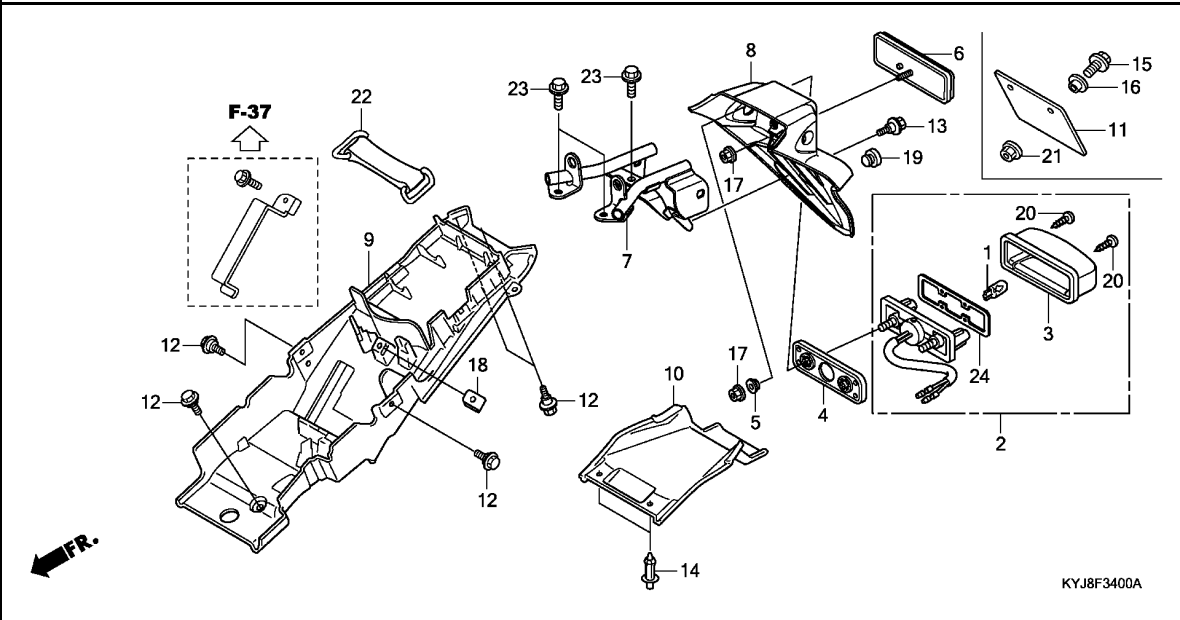
Ref. No.	L.O.N.	(Relative ref. Number) Description	F.R.T.
2	(1)	CUSHION ASSY., REAR	1.4
5	512115	ARM, CUSHION	0.4
7	512145	ROD, CUSHION CONNECTING	0.4
15	5121D4	BEARING, CUSHION CONNECTING ROD	0.6
	5121H3	BEARING, CUSHION CONNECTING ROD :FOR 1 VEHICLE	0.7
	512146	BEARING, CUSHION ARM	0.6
	512146A	.Replace 1 bearing add	0.1
	5121D3	BEARING, CUSHION ARM :FOR 1 VEHICLE	0.9

Ref. No.	Part No.	Description	Reqd. QTY						Serial No.	Parts catalogue code
			CBR250R			CBR250RA				
			B	C	D	B	C	D		
1	50175-KYJ-900	HOLDER COMP., RR. CUSHION								
		UPPER								
2	52400-KYJ-901	CUSHION ASSY., RR.	1	1	1	1	1	1		
3	52463-KYJ-900	COLLAR B, CUSHION ARM	2	2	2	2	2	2		
4	52464-KYJ-900	COLLAR C, CUSHION ARM	1	1	1	1	1	1		
5	52465-KYJ-900	ARM SUB ASSY., CUSHION	1	1	1	1	1	1		
6	52472-KYJ-900	COLLAR, CUSHION CONNECTING ROD	1	1	1	1	1	1		
7	52475-KYJ-900	ROD SUB ASSY., CUSHION CONNECTING	1	1	1	1	1	1		
8	90101-KBS-900	BOLT, FLANGE, 10X65	1	1	1	1	1	1		
9	90101-KYJ-900	BOLT, FLANGE, 10X106	1	1	1	1	1	1		
10	90104-KYJ-900	BOLT, FLANGE, 10X146	1	1	1	1	1	1		
11	90152-KYJ-900	BOLT, FLANGE, 10X55	1	1	1	1	1	1		
12	90153-KYJ-900	BOLT, FLANGE, 10X53	1	1	1	1	1	1		
13	90304-KGH-901	NUT, U, 10MM	5	5	5	5	5	5		
14	90306-KGH-901	NUT, U, 12MM(FUJI SEIMITSU) ..	1	1	1	1	1	1		
15	91071-KYJ-711	BEARING, NEEDLE, 17X24X17(NRB)	6	6	6	6	6	6		
	91071-MY1-005	BEARING, NEEDLE, 17X24X17 (KOYO)	6	6	6	6	6	6		
16	91262-KV3-831	DUST SEAL, 17X24X5(ARAI)	8	8	8	8	8	8		

F-34

REAR FENDER

K14



Ref. No.	L.O.N.	(Relative ref. Number) Description	F.R.T.
1		(3,24) BULB, LICENSE LIGHT	0.1
2		6161D8 LIGHT, LICENSE	0.3
7		4131M7 STAY, REAR FENDER	0.5
8		4131O2 FENDER, REAR	0.3
9		413110 FENDER B, REAR	1.6
10		413124 COVER, REAR UNDER	0.1

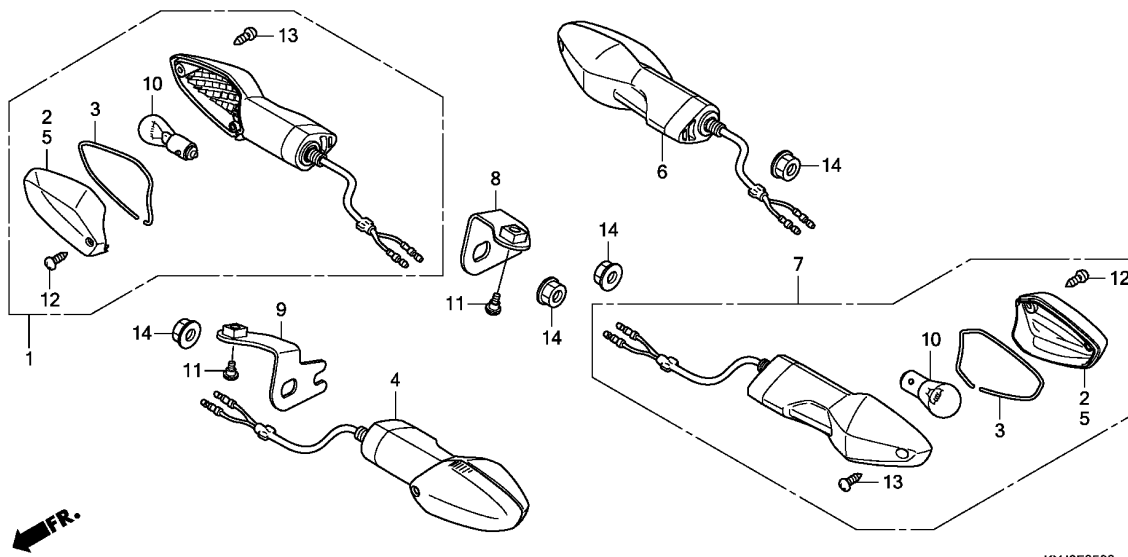
Ref. No.	Part No.	Description	Reqd. QTY						Serial No.	Parts catalogue code
			CBR250R			CBR250RA				
			B	C	D	B	C	D		
1	33301-KYJ-901	BULB, WEDGE BASE(T10 12V 5W)	1	1	1	1	1	1		
2	33720-KYJ-901	LIGHT ASSY., LICENSE(12V 5W)	1	1	1	1	1	1		
3	33723-KYJ-901	COVER COMP.	1	1	1	1	1	1		
4	33728-KPP-T00	RUBBER, LICENSE LIGHT	1	1	1	1	1	1		
5	33731-MJ0-940	COLLAR, REGULATOR MOUNTING ..	2	2	2	2	2	2		
6	33741-KPL-901	REFLECTOR, REFLEX	1	-	-	1	-	-		
	33741-KPL-902	-	1	1	-	1	1		
7	50186-KYJ-900	STAY, RR. FENDER	1	1	1	1	1	1		
8	80100-KYJ-960	FENDER, RR.	1	1	1	1	1	1	----- 3K0,4K0,K0	
	80100-KPP-T00	1	-	1	1	-	1	----- 2U,3IN,3MA,3U,4IN,4MA,4U,5MA,5U,6U,IN,MA,U	
9	80101-KYJ-900	FENDER B, RR.	1	1	1	1	1	1		
10	80140-KYJ-900	COVER, RR. UNDER	1	1	1	1	1	1		
11	84710-MEE-650	PLATE, NUMBER PLATE BACK	1	-	1	1	-	1	----- 2U,3U,4U,5U,6U,U	
12	90111-162-000	BOLT, FLANGE, 6MM	5	5	5	5	5	5		
13	90111-187-000	BOLT, FLANGE, 6MM	1	1	1	1	1	1		
14	90116-SP0-003	CLIP, BUMPER SEAL	2	2	2	2	2	2		
15	90147-KVB-900	BOLT, SPECIAL, 6X16	2	-	2	2	-	2	----- 2U,3U,4U,5U,6U,U	
16	90175-MCT-640	COLLAR, FUEL TANK	2	-	2	2	-	2	----- 2U,3U,4U,5U,6U,U	
17	90301-KWN-901	NUT, U, 5MM	3	3	3	3	3	3		
18	90320-MM5-000	NUT, SPRING, 6MM	1	1	1	1	1	1		
19	90852-KPP-T00	PLUG, HOLE	1	1	1	1	1	1		
20	93901-24480	SCREW, TAPPING, 4X16	2	2	2	2	2	2		
21	94050-06000	NUT, FLANGE, 6MM	2	-	2	2	-	2	----- 2U,3U,4U,5U,6U,U	
22	95012-15001	BAND, BATTERY	1	1	1	1	1	1		
23	95701-08012-00	BOLT, FLANGE, 8X12	3	3	3	3	3	3		
24	33729-KSP-B01	PACKING, LENS	1	1	1	1	1	1		



F-35

WINKER

K15



Ref. No.	L.O.N.	(Relative ref. Number) Description	F.R.T.
1	6161C4	WINKER :RIGHT FRONT	0.2
4	6161C3	WINKER :LEFT FRONT	0.2
	6161C5	WINKER :BOTH FRONT	0.4
6	6161C7	WINKER :RIGHT REAR	0.1
7	6161C6	WINKER :LEFT REAR	0.1
	6161C8	WINKER :BOTH REAR	0.2
10		(2,3,5) BULB, WINKER :FRONT	0.1
		.NOTE: Same time for two units	
	616139	BULB, WINKER :REAR	0.1
		.NOTE: Same time for two units	
	6161G0	BULB, WINKER :FOR 1 VEHICLE ..	0.2

KYJ8F3500

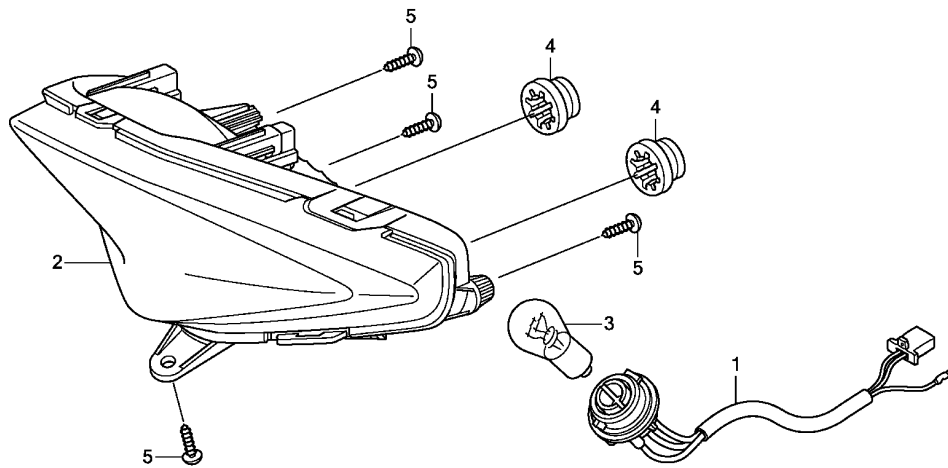
3

Ref. No.	Part No.	Description	Reqd. QTY						Serial No.	Parts catalogue code
			CBR250R			CBR250RA				
			B	C	D	B	C	D		
1	33400-KYJ-901	WINKER ASSY., R. FR.(12V 21W)	1	1	1	1	1	1		
2	33402-KWF-901	LENS, R. WINKER								
		(R. FR./L. RR.)	2	2	2	2	2	2		
3	33406-KWF-901	SEAL, GASKET	4	4	4	4	4	4		
4	33450-KYJ-901	WINKER ASSY., L. FR.(12V 21W)	1	1	1	1	1	1		
5	33452-KWF-901	LENS, L. WINKER								
		(L. FR./R. RR.)	2	2	2	2	2	2		
6	33600-KYJ-901	WINKER ASSY., R. RR.(12V 21W)	1	1	1	1	1	1		
7	33650-KYJ-901	WINKER ASSY., L. RR.(12V 21W)	1	1	1	1	1	1		
8	33941-KPP-T00	STAY COMP., R. WINKER	1	1	1	1	1	1		
9	33942-KPP-T00	STAY COMP., L. WINKER	1	1	1	1	1	1		
10	34905-KYJ-901	BULB, WINKER(AMBER)(12V 21W)	4	4	4	4	4	4		
11	90133-KPP-T00	SCREW, PAN, 6X14	2	2	2	2	2	2		
12	90102-KYJ-901	SCREW, TAPPING, 4X12	4	4	4	4	4	4		
13	90103-KYJ-901	SCREW, TAPPING, 4X12	4	4	4	4	4	4		
14	94050-10000	NUT, FLANGE, 10MM	4	4	4	4	4	4		

F-36

TAILLIGHT

K16

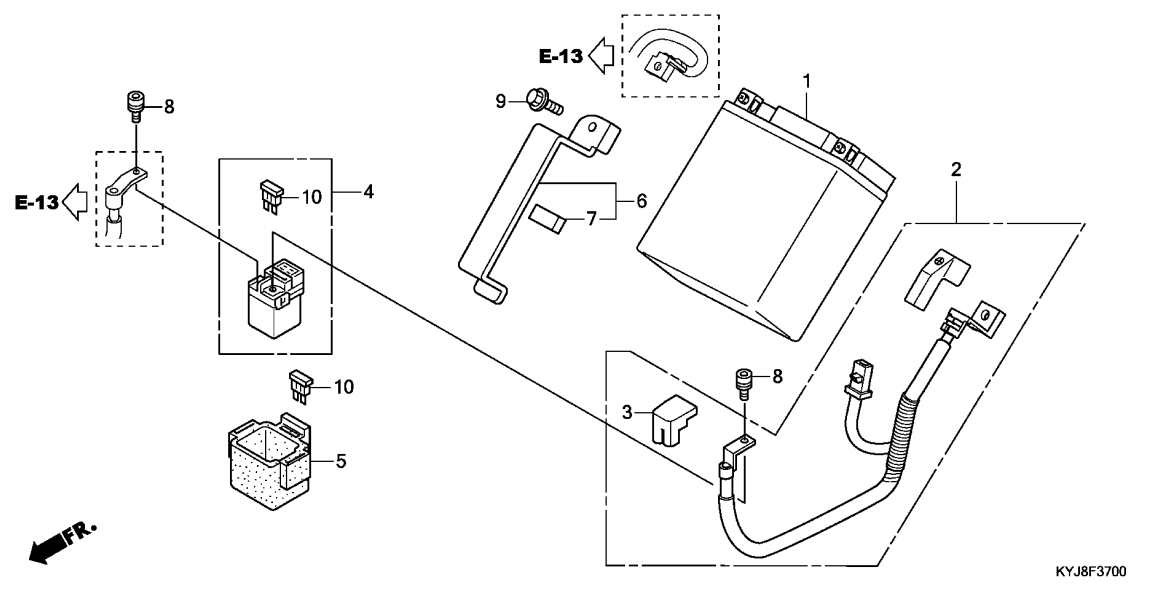


KYJ8F3600

Ref. No.	L.O.N.	(Relative ref. Number) Description	F.R.T.
1	6161E7	SOCKET, TAILLIGHT	0.2
2	6161D5	TAILLIGHT UNIT	0.3
3	6161G1	BULB, TAILLIGHT	0.2

Ref. No.	Part No.	Description	Reqd. QTY						Serial No.	Parts catalogue code
			CBR250R			CBR250RA				
			B	C	D	B	C	D		
1	33703-KPP-T01	SOCKET COMP., TAILLIGHT	1	-	-	1	-	-		
	33703-KPP-T02	-	1	1	-	1	1		
2	33710-KPP-T01	TAILLIGHT UNIT	1	1	1	1	1	1		
3	34907-KPP-T01	BULB, TAILLIGHT(12V 21/5W) ..	1	1	1	1	1	1		
	34906-447-711	BULB, TAIL & STOP LIGHT (12V 21/5W)(STANLEY)	-	1	1	-	1	1		
4	61304-KRY-900	RUBBER, HEADLIGHT CASE								
		MOUNTING	2	2	2	2	2	2		
5	93903-25280	SCREW, TAPPING, 5X12	4	4	4	4	4	4		

3



Ref. No.	L.O.N.	(Relative ref. Number) Description	F.R.T.
1	610100	BATTERY	0.2
2	610105	CABLE, POSITIVE BATTERY	0.3
4	615113	SWITCH, STARTER MAGNETIC	0.4

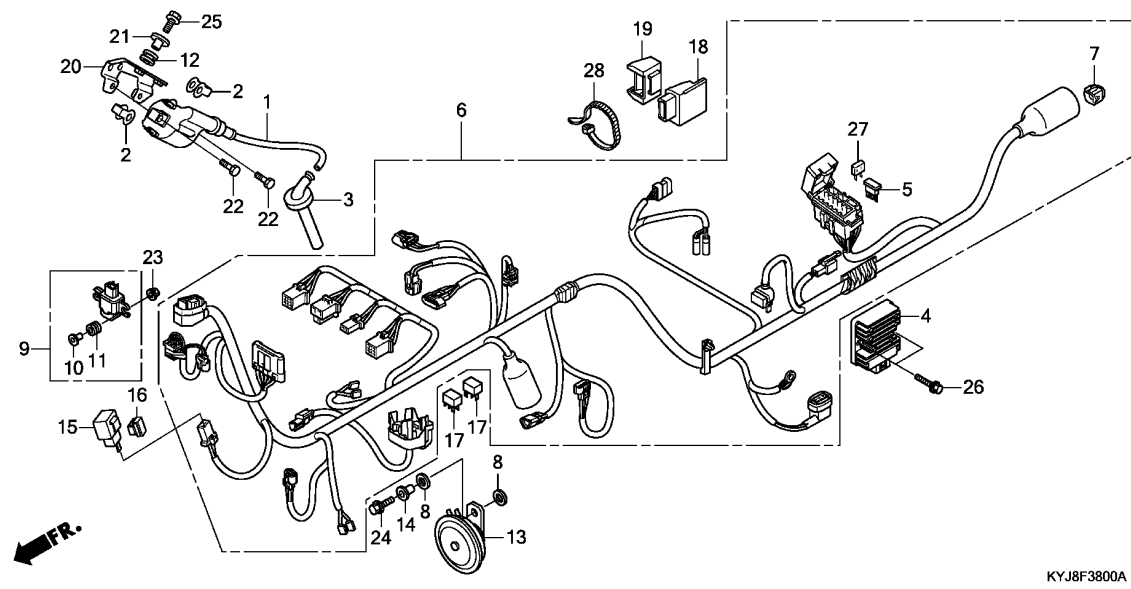
KYJ8F3700

Ref. No.	Part No.	Description	Reqd. QTY						Serial No.	Parts catalogue code
			CBR250R			CBR250RA				
			B	C	D	B	C	D		
1	31500-KYJ-981	BATTERY(YTX7L-BS) (TIANJIN YUASA)	1	1	1	1	1	1	-----	3K0,4K0,K0
	31500-KW3-677	BATTERY ASSY.(YTX7L-BS) (TIANJIN YUASA)	1	-	1	1	-	1	-----	2U,3MA,3U,4MA,4U,5MA,5U,6U,MA,U
	31500-KYJ-781	BATTERY(YTX7L-BS) (TIANJIN YUASA)	1	-	1	1	-	1	-----	3IN,4IN,IN
2	32401-KYJ-900	CABLE, STARTER MAGNETIC	1	1	-	1	1	-		
	32401-KYJ-901 BATTERY	-	-	1	-	-	1		
3	32406-KAZ-000	COVER, STARTER MAGNETIC	1	1	-	1	1	-		
	32406-KAZ-010 TERMINAL	-	-	1	-	-	1		
4	35850-MR5-007	SWITCH ASSY., STARTER MAGNETIC	1	1	1	1	1	1		
5	35856-MBG-003	RUBBER, SHOCK	1	1	1	1	1	1		
6	80102-KYJ-900	BAND COMP., BATTERY	1	1	1	1	1	1		
7	80109-KYJ-900	SPONGE, RUBBER	1	1	1	1	1	1		
8	90111-MR5-000	BOLT, SOCKET, 5X9	2	2	2	2	2	2		
9	95701-06012-08	BOLT, FLANGE, 6X12	1	1	1	1	1	1		
10	98200-33000	FUSE, BLADE(30A)	2	2	2	2	2	2		

F-38

WIRE HARNESS(CBR250R)

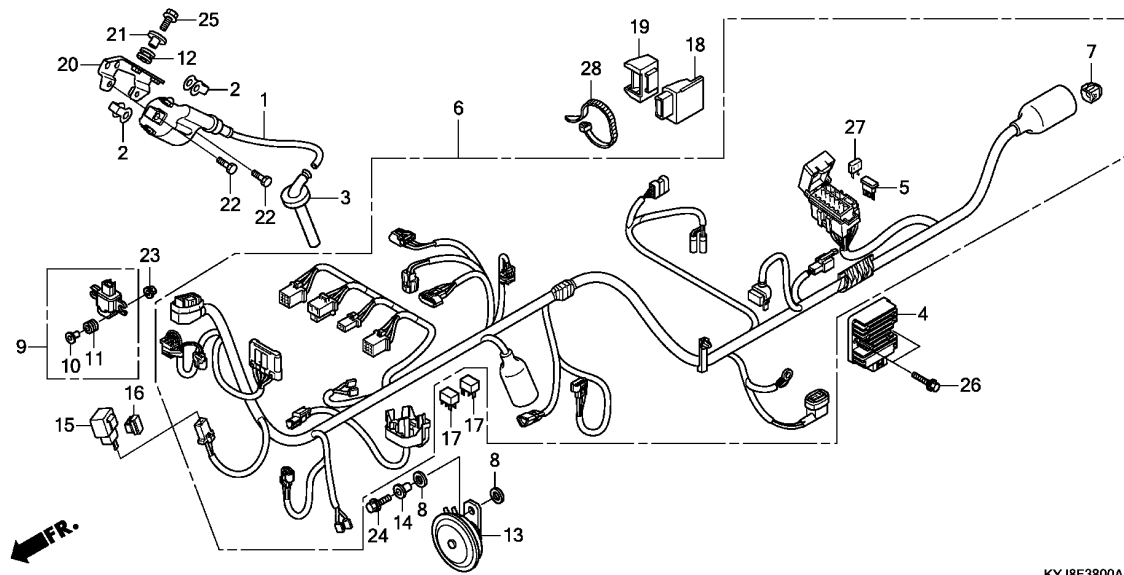
L 2



Ref. No.	L.O.N.	(Relative ref. Number) Description	F.R.T.
1	614105	COIL, IGNITION	1.0
4	6131B2	RECTIFIER, REGULATE	0.6
6	611100	HARNESS, WIRE	2.5
9	617125	SENSOR, BANK ANGLE	0.7
13	616169	HORN	0.1
15	6111C3	RELAY, WINKER	0.2
17	6111D9	RELAY, FAN CONTROL	0.3
	6111G1	RELAY, FUEL PUMP	0.3
18	618135	ENGINE CONTROL MODULE(ECM) ...	0.6

Ref. No.	Part No.	Description	Reqd. QTY						Serial No.	Parts catalogue code
			CBR250R			CBR250RA				
			B	C	D	B	C	D		
1	30510-KYJ-901	COIL COMP., IGNITION	1	1	1	-	-	-		
2	30520-GFM-900	SPACER, IGNITION COIL	2	2	2	-	-	-		
3	30700-KY2-701	CAP ASSY., NOISE SUPPRESSOR	1	-	-	-	-	-		
	30700-KY2-702	-	1	1	-	-	-		
4	31600-KVK-901	RECTIFIER ASSY., REGULATOR ..	1	1	1	-	-	-		
5	31730-MAS-601	DIODE ASSY., THREE WAY (SUMITOMO)	1	1	1	-	-	-		
6	32100-KYJ-790	HARNESS, WIRE	1	1	1	-	-	-	2U,3K0,3U,4U,5U,6U,KO,U	
	32100-KYJ-780	1	-	1	-	-	-	3IN,3MA,4IN,4MA,5MA,IN,MA	
7	32606-GEV-761	CAP, DUMMY(4P)(RED)	1	1	1	-	-	-		
8	33714-KL3-620	RUBBER, TAILLIGHT BRACKET ...	2	2	2	-	-	-		
9	35160-KPP-T01	SENSOR ASSY., BANK ANGLE	1	1	1	-	-	-		
10	35162-MGC-003	COLLAR	2	2	2	-	-	-		
11	35163-MGC-003	GROMMET	2	2	2	-	-	-		
12	36043-657-000	GROMMET, WIRE HARNESS	2	2	2	-	-	-		
13	38110-KYJ-901	HORN COMP.(HIGH)	1	1	1	-	-	-		
14	38117-KFE-701	COLLAR, HORN SETTING	1	1	1	-	-	-		
15	38301-KTF-671	RELAY COMP., WINKER	1	1	1	-	-	-		
16	38306-GE7-000	SUSPENSION, WINKER RELAY	1	1	1	-	-	-		
17	38501-KWN-901	RELAY COMP., POWER (MICRO ISO 4P)(OMRON)	2	2	2	-	-	-		
	38501-KVZ-631	RELAY ASSY., POWER (MICRO ISO 4P)(MITSUBA)	-	2	2	-	-	-		
18	38770-KYJ-961	PGM-FI UNIT	1	1	1	-	-	-	2U,3K0,3U,4U,5U,6U,KO,U	
	38770-KYJ-971	1	-	1	-	-	-	3IN,3MA,4IN,4MA,5MA,IN,MA	

3



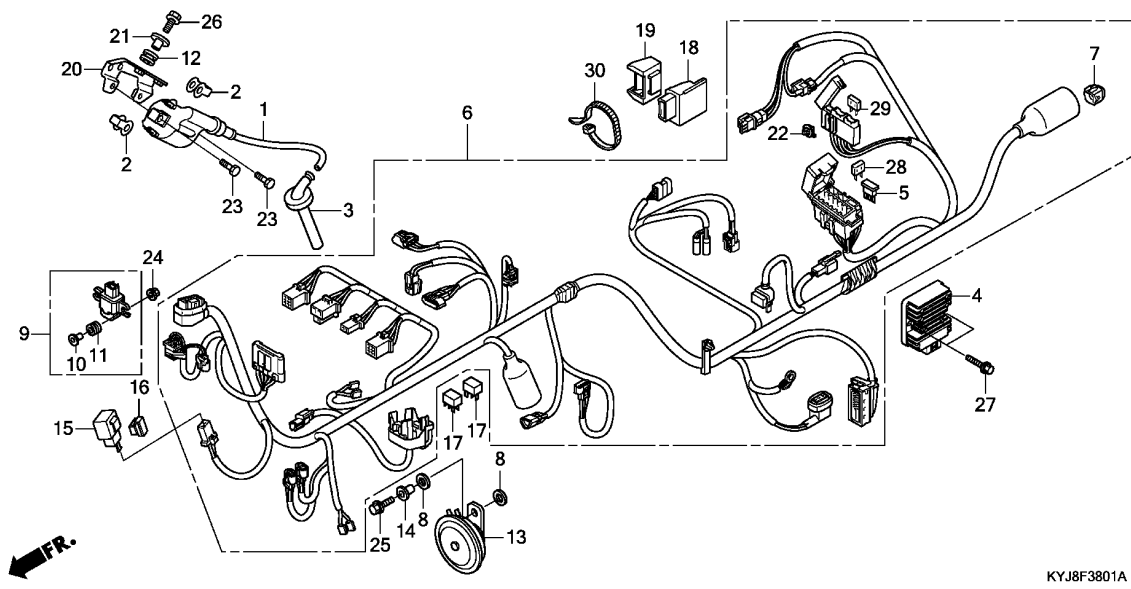
KYJ8F3800A

Ref. No.	Part No.	Description	Reqd. QTY						Serial No.	Parts catalogue code
			CBR250R			CBR250RA				
			B	C	D	B	C	D		
19	38771-GFM-900	SUSPENSION, ENGINE CONTROL UNIT	1	1	1	-	-	-		
20	50204-KYJ-900	STAY COMP., IGNITION COIL	1	1	1	-	-	-		
21	50214-KYJ-900	COLLAR, IGNITION COIL MOUNTING	2	2	2	-	-	-		
22	92101-06020-4J	BOLT, HEX., 6X20	2	2	2	-	-	-		
23	94050-06080	NUT, FLANGE, 6MM	2	2	2	-	-	-		
24	95701-06016-00	BOLT, FLANGE, 6X16	1	1	1	-	-	-		
25	95701-06016-08	BOLT, FLANGE, 6X16	2	2	2	-	-	-		
26	95701-06020-00	BOLT, FLANGE, 6X20	2	2	2	-	-	-		
27	98200-41000	FUSE, MINI(10A)	6	6	6	-	-	-		
28	90651-KV6-003	BAND, WIRE, 165MM(BLACK)	-	1	1	-	-	-		

F-38-1

WIRE HARNESS(CBR250RA)

L 4



Ref. No.	L.O.N.	(Relative ref. Number) Description	F.R.T.
1	614105	COIL, IGNITION	1.0
4	6131B2	RECTIFIER, REGULATE	0.6
6	611100	HARNESS, WIRE	2.5
9	617125	SENSOR, BANK ANGLE	0.7
13	616169	HORN	0.1
15	6111C3	RELAY, WINKER	0.2
17	6111D9	RELAY, FAN CONTROL	0.3
	6111G1	RELAY, FUEL PUMP	0.3
18	618135	ENGINE CONTROL MODULE(ECM) ...	0.6

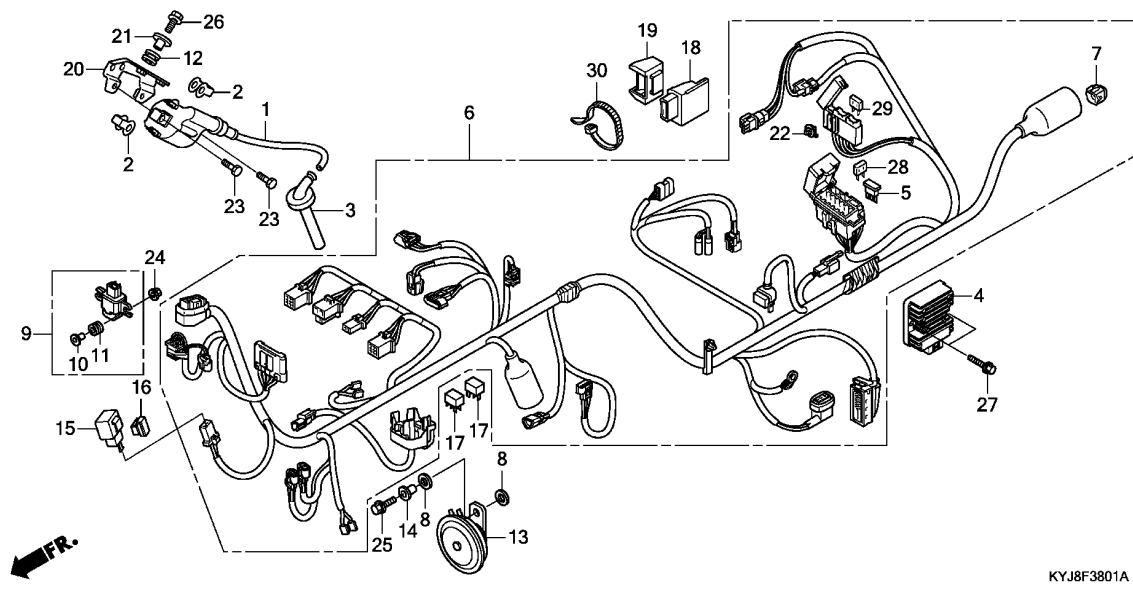
Ref. No.	Part No.	Description	Reqd. QTY						Serial No.	Parts catalogue code
			CBR250R			CBR250RA				
			B	C	D	B	C	D		
1	30510-KYJ-901	COIL COMP., IGNITION	-	-	-	1	1	1		
2	30520-GFM-900	SPACER, IGNITION COIL	-	-	-	2	2	2		
3	30700-KY2-701	CAP ASSY., NOISE SUPPRESSOR	-	-	-	1	-	-		
	30700-KY2-702	-	-	-	-	1	1		
4	31600-KVK-901	RECTIFIER ASSY., REGULATOR ..	-	-	-	1	1	1		
5	31730-MAS-601	DIODE ASSY., THREE WAY (SUMITOMO)	-	-	-	1	1	1		
6	32100-KYJ-960	HARNESS, WIRE	-	-	-	1	1	1	-----	2U,3U,4KO,4U,5U,6U,KO,U
	32100-KYJ-970	-	-	-	1	-	1	-----	3IN,3MA,4IN,4MA,5MA,IN,MA
7	32606-GEV-761	CAP, DUMMY(4P)(RED)	-	-	-	1	1	1		
8	33714-KL3-620	RUBBER, TAILLIGHT BRACKET ...	-	-	-	2	2	2		
9	35160-KPP-T01	SENSOR ASSY., BANK ANGLE	-	-	-	1	1	1		
10	35162-MGC-003	COLLAR	-	-	-	2	2	2		
11	35163-MGC-003	GROMMET	-	-	-	2	2	2		
12	36043-657-000	GROMMET, WIRE HARNESS	-	-	-	2	2	2		
13	38110-KYJ-901	HORN COMP.(HIGH)	-	-	-	1	1	1		
14	38117-KFE-701	COLLAR, HORN SETTING	-	-	-	1	1	1		
15	38301-KTF-671	RELAY COMP., WINKER	-	-	-	1	1	1		
16	38306-GE7-000	SUSPENSION, WINKER RELAY	-	-	-	1	1	1		
17	38501-KWN-901	RELAY COMP., POWER (MICRO ISO 4P)(OMRON)	-	-	-	2	2	2		
	38501-KVZ-631	RELAY ASSY., POWER (MICRO ISO 4P)(MITSUBA)	-	-	-	-	2	2		
18	38770-KYJ-961	PGM-FI UNIT	-	-	-	1	1	1	-----	2U,3U,4KO,4U,5U,6U,KO,U
	38770-KYJ-971	-	-	-	1	-	1	-----	3IN,3MA,4IN,4MA,5MA,IN,MA

3

F-38-1

WIRE HARNESS(CBR250RA)

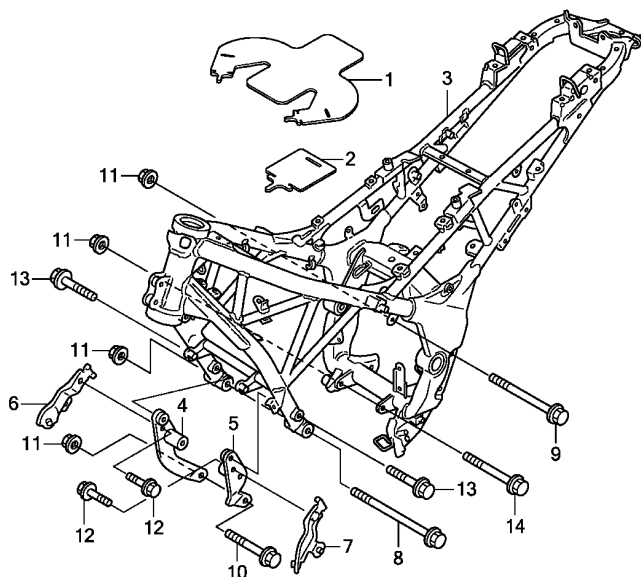
L 5



KYJ8F3801A

Ref. No.	Part No.	Description	Reqd. QTY						Serial No.	Parts catalogue code
			CBR250R			CBR250RA				
			B	C	D	B	C	D		
19	38771-GFM-900	SUSPENSION, ENGINE CONTROL UNIT	-	-	-	1	1	1		
20	50204-KYJ-900	STAY COMP., IGNITION COIL	-	-	-	1	1	1		
21	50214-KYJ-900	COLLAR, IGNITION COIL MOUNTING	-	-	-	2	2	2		
22	91556-SP0-003	CLIP, COUPLER(BROWN)	-	-	-	1	1	1		
23	92101-06020-4J	BOLT, HEX., 6X20	-	-	-	2	2	2		
24	94050-06080	NUT, FLANGE, 6MM	-	-	-	2	2	2		
25	95701-06016-00	BOLT, FLANGE, 6X16	-	-	-	1	1	1		
26	95701-06016-08	BOLT, FLANGE, 6X16	-	-	-	2	2	2		
27	95701-06020-00	BOLT, FLANGE, 6X20	-	-	-	2	2	2		
28	98200-41000	FUSE, MINI(10A)	-	-	-	7	7	7		
29	98200-43000	FUSE, MINI(30A)	-	-	-	3	3	3		
30	90651-KV6-003	BAND, WIRE, 165MM(BLACK)	-	-	-	-	1	1		

3



KYJ8F3900

Ref. No.	L.O.N.	(Relative ref. Number) Description	F.R.T.
3	410100	BODY, FRAMEINCLUDES: Engine removal and installation	5.9
	410100B	.ABS add	0.5

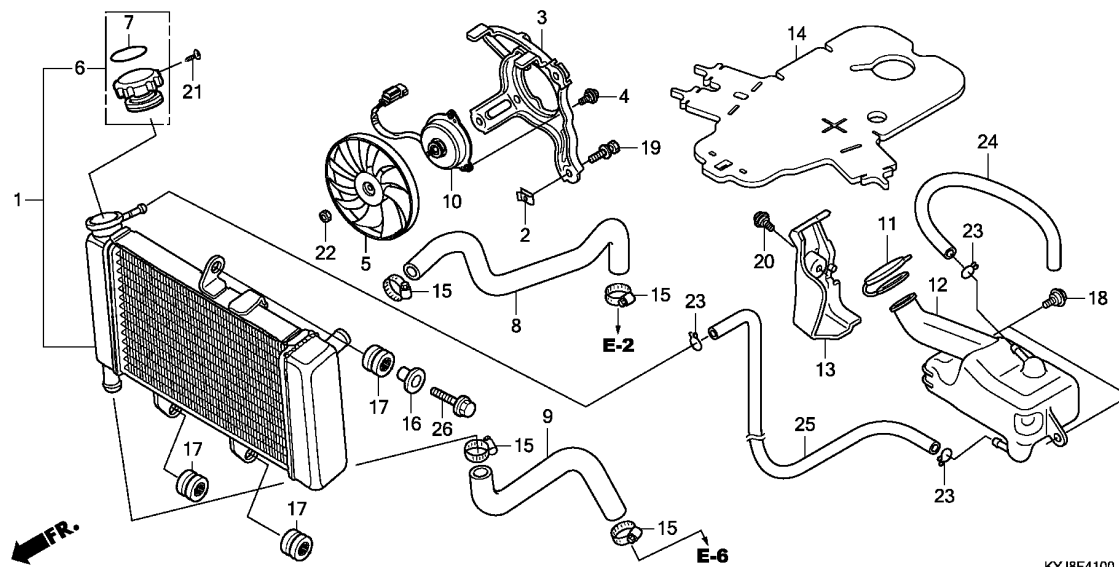
Ref. No.	Part No.	Description	Reqd. QTY						Serial No.	Parts catalogue code
			CBR250R			CBR250RA				
			B	C	D	B	C	D		
1	17543-KYJ-900	RUBBER, GUARD	1	1	1	1	1	1		
2	32800-KYJ-900	RUBBER SHEET, HARNESS GUARD ..	1	1	1	1	1	1		
3	50100-KYJ-900	BODY COMP., FRAME	1	1	1	-	-	-	-----	----- 2U,3IN,3K0,3MA,3U,5MA,5U,6U,IN,KO,MA,U
	50100-KYJ-M60	-	-	1	-	-	-	-----	----- 4IN,4MA,4U
	50100-KYJ-910	-	-	-	1	1	1	-----	----- 2U,3IN,3MA,3U,5MA,5U,6U,IN,KO,MA,U
	50100-KYJ-690	-	-	-	-	-	1	-----	----- 4IN,4K0,4MA,4U
4	50351-KYJ-900	PLATE COMP., R. FR. ENGINE HANGER	1	1	1	1	1	1		
5	50361-KYJ-900	PLATE COMP., L. FR. ENGINE HANGER	1	1	1	1	1	1		
6	64315-KYJ-900	STAY, R. COWL UNDER	1	1	1	1	1	1		
7	64325-KYJ-900	STAY, L. COWL UNDER	1	1	1	1	1	1		
8	90111-KYJ-900	BOLT, FLANGE, 10X273	1	1	1	1	1	1		
9	90113-KYJ-900	BOLT, FLANGE, 10X145	1	1	1	1	1	1		
10	90114-KYJ-900	BOLT, FLANGE, 10X103	1	1	1	1	1	1		
11	94050-10000	NUT, FLANGE, 10MM	4	4	4	4	4	4		
12	95701-08016-07	BOLT, FLANGE, 8X16	2	2	2	2	2	2		
13	95801-10070-00	BOLT, FLANGE, 10X70	2	2	2	2	2	2		
14	95801-10130-00	BOLT, FLANGE, 10X130	1	1	1	1	1	1		



F-41

RADIATOR

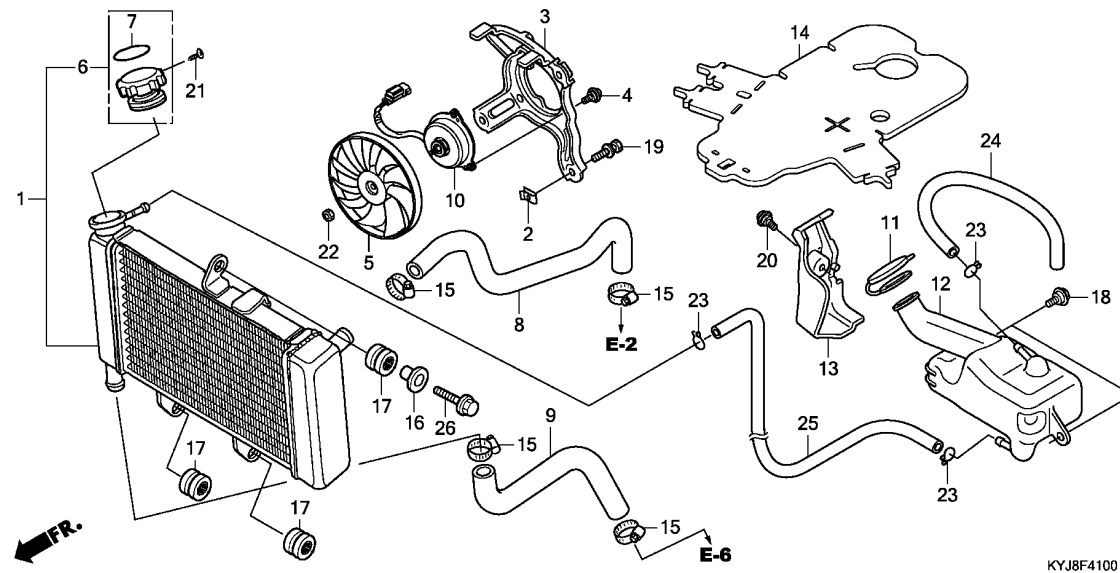
L 7



Ref. No.	L.O.N.	(Relative ref. Number) Description	F.R.T.
1	1151C3	RADIATOR	0.8
3	115125	SHROUD, RADIATOR	0.8
5	1151A6	FAN, COOLING	0.8
6	1151B8	CAP, RADIATOR	0.2
8	115103	HOSE, RADIATOR :UPPER	0.6
9	115104	HOSE, RADIATOR :LOWER	0.6
10	1151A7	MOTOR, FAN	0.9
12	115110	TANK, RADIATOR RESERVE	0.8
25	1151E5	TUBE, RADIATOR RESERVE TANK ..	0.9

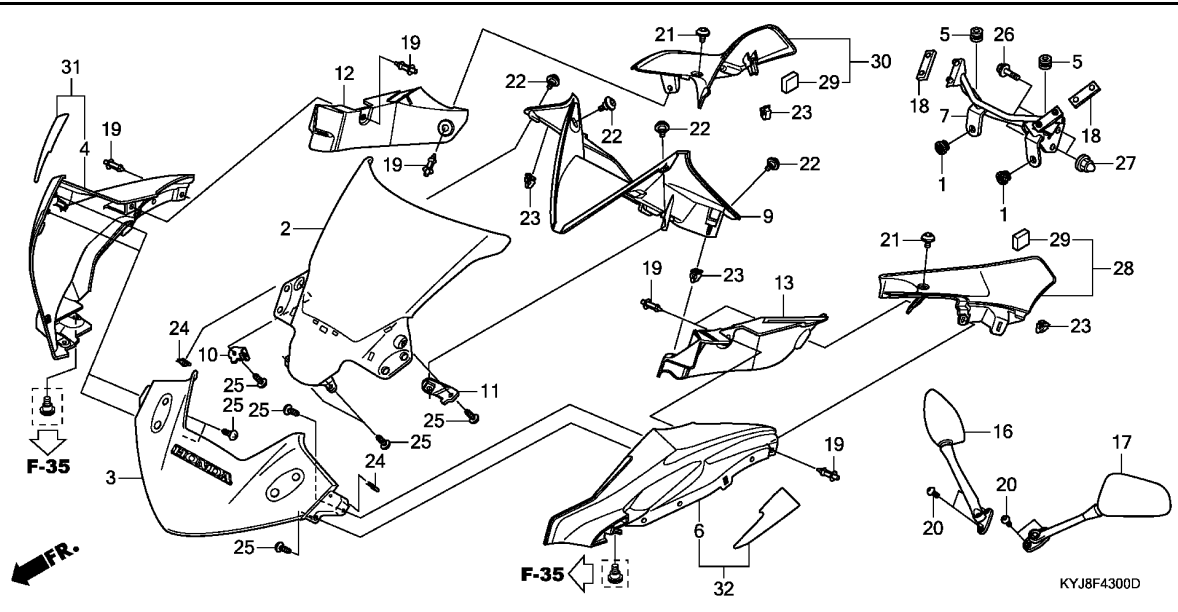
KYJ8F4100

Ref. No.	Part No.	Description	Reqd. QTY						Serial No.	Parts catalogue code
			CBR250R			CBR250RA				
			B	C	D	B	C	D		
1	19010-KYJ-921	RADIATOR COMP.	1	1	1	1	1	1	-----	3K0,4K0,K0
	19010-KYJ-961	1	-	1	1	-	1	-----	2U,3U,4U,5U,6U,U
	19010-KYJ-901	1	-	1	1	-	1	-----	3IN,3MA,4IN,4MA,5MA,IN,MA
2	19014-KEA-003	NUT, SETTING(6MM)	3	3	3	3	3	3		
3	19015-KYJ-901	SHROUD COMP.	1	1	1	1	1	1		
4	19016-KEA-003	SCREW, PAN, 4X8.5	3	3	3	3	3	3		
5	19020-KVZ-631	FAN COMP., COOLING	1	1	1	1	1	1		
6	19045-KPC-D51	CAP COMP., RADIATOR	1	1	1	1	1	1	-----	3K0,4K0,K0
	19045-KPC-871	1	-	1	1	-	1	-----	2U,3U,4U,5U,6U,U
	19045-KPP-T01	CAP COMP., RADIATOR(T.RAD) ..	1	-	1	1	-	1	-----	3IN,3MA,4IN,4MA,5MA,IN,MA
7	19055-KPC-D51	SEAL, RADIATOR CAP	1	1	1	1	1	1	-----	3K0,4K0,K0
	19055-KPC-871	SEAL, RADIATOR CAP(PICTOGRAPH)	1	-	1	1	-	1	-----	2U,3U,4U,5U,6U,U
	19055-KPP-T01	SEAL, RADIATOR CAP	1	-	1	1	-	1	-----	3IN,3MA,4IN,4MA,5MA,IN,MA
8	19062-KYJ-900	HOSE, RADIATOR UPPER	1	1	1	1	1	1		
9	19067-KYJ-900	HOSE, RADIATOR LOWER	1	1	1	1	1	1		
10	19080-KYJ-901	MOTOR ASSY., FAN	1	1	1	1	1	1		
11	19109-KPC-640	CAP, RESERVE TANK	1	1	1	1	1	1	-----	2U,3K0,3U,4K0,4U,5U,6U,KO,U
	19109-KWC-900	1	-	1	1	-	1	-----	3IN,3MA,4IN,4MA,5MA,IN,MA
12	19110-KYJ-900	TANK, RADIATOR RESERVE	1	1	1	1	1	1		
13	19111-KYJ-900	COVER, RADIATOR RESERVE TANK	1	1	1	1	1	1		
14	19125-KYJ-900	RUBBER, HEAT GUARD	1	1	1	1	1	1		
15	19517-ML7-691	CLAMP, HOSE, 22-29MM	4	4	4	4	4	4		
16	61102-KTY-D30	COLLAR, RADIATOR MOUNTING ---	1	1	1	1	1	1		
17	61304-415-000	RUBBER, HEADLIGHT CASE MOUNTING	3	3	3	3	3	3		
18	90111-162-000	BOLT, FLANGE, 6MM	2	2	2	2	2	2		



KYJ8F4100

Ref. No.	Part No.	Description	Reqd. QTY						Serial No.	Parts catalogue code
			CBR250R			CBR250RA				
			B	C	D	B	C	D		
19	90120-KCR-003	BOLT-WASHER, 6X16	3	3	3	3	3	3		
20	91509-GE2-760	SCREW, PAN, 5X11.5	1	1	1	1	1	1		
21	93901-22020	SCREW, TAPPING, 3X6	1	1	1	1	1	1		
22	94001-03000-OS	NUT, HEX., 3MM	1	1	1	1	1	1		
23	95002-02100	CLIP, TUBE(B10)	3	3	3	3	3	3		
24	95005-55350-20	TUBE, 5.3X350 (95005-55001-20M)	1	1	1	1	1	1		
25	95005-55840-20	TUBE, 5.3X840	1	-	-	1	-	-		
	19105-KYJ-900	TUBE, RADIATOR BREATHER	-	1	1	-	1	1		
26	95701-06022-07	BOLT, FLANGE, 6X22	1	1	1	1	1	1		



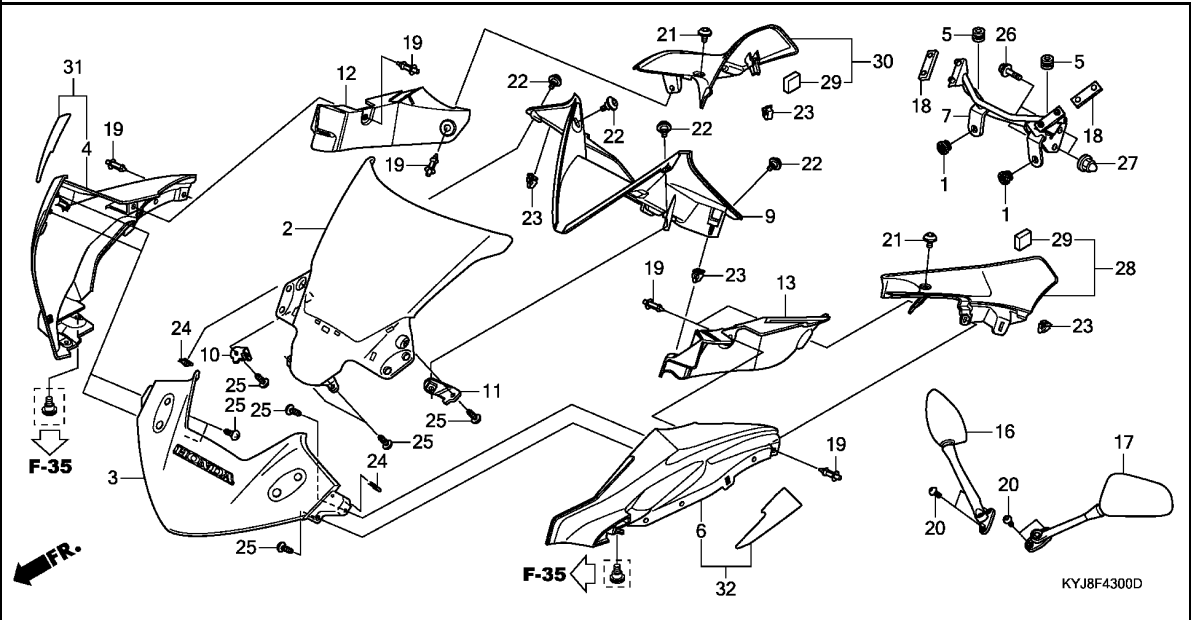
Ref. No.	L.O.N.	(Relative ref. Number) Description	F.R.T.
2	411115	WINDSCREEN SET	0.9
3	4111L3	COWL, FRONT CENTER	0.9
4	4111L5	COWL, FRONT :RIGHT	0.9
6	4111L4	COWL, FRONT :LEFT	0.9
	4111L6	COWL, FRONT :BOTH	0.9
7	411105	STAY, FRONT COVER	0.7
9	411142	COWL, INNER :CENTER	0.6
12	4111D9	COWL, INNER :RIGHT	0.6
13	4111D8	COWL, INNER :LEFT	0.6
	4111E0	COWL, INNER :BOTH	0.6
28	4131Q6	COVER, TANK SIDE :LEFT	0.2
30	4131Q7	COVER, TANK SIDE :RIGHT	0.2
	4131Q8	COVER, TANK SIDE :BOTH	0.4

3

Ref. No.	Part No.	Description	Reqd. QTY						Serial No.	Parts catalogue code
			CBR250R			CBR250RA				
			B	C	D	B	C	D		
1	61304-KRY-900	RUBBER, HEADLIGHT CASE MOUNTING	2	2	2	2	2	2	-----	2U,3K0,3MA,3U,4K0,4MA,4U,5MA,5U,6U,KO,MA,U
2	64110-KYJ-900	WINDSCREEN	1	1	1	1	1	1	-----	2U,3K0,3MA,3U,4K0,4MA,4U,5MA,5U,6U,KO,MA,U
3	64200-KYJ-900ZA	COWL SET, FR. UPPER(WL)							-----	KO
	64200-KYJ-900ZD	*TYPE2 1*	1	-	-	1	-	-	-----	2U,KO,MA
	64200-KYJ-900ZF	*TYPE3 1*	1	-	-	1	-	-	-----	MA
	64200-KYJ-900ZG	*TYPE4*	1	-	-	-	-	-	-----	3U
	64200-KYJ-900ZE	*TYPE1 1*	1	-	-	-	-	-	-----	KO,MA,U
	64200-KYJ-900ZC	*TYPE2*	-	1	-	-	1	-	-----	U
	64200-KYJ-900ZB	*TYPE1*	-	1	-	-	-	-	-----	3K0,3MA,3U
	64200-KYJ-K20ZA	*TYPE1*	-	-	1	-	-	1	-----	4K0,4MA,4U
	64200-KYJ-M60ZB	*TYPE1*	-	-	1	-	-	1	-----	5MA,5U
	64200-KYJ-E20ZC	*TYPE3*	-	-	1	-	-	1	-----	6U
	64200-KYJ-E20ZB	*TYPE4*	-	-	1	-	-	1	-----	KO,MA,U
	64200-KYJ-E20ZD	*TYPE2*	-	-	1	-	-	1	-----	U
	64200-KYJ-E20ZE	*TYPE1*	-	-	1	-	-	1	-----	KO
	64200-KYJ-900ZJ	*TYPE5*	-	-	-	1	-	-	-----	MA
	64200-KYJ-900ZE	*TYPE1 1*	-	-	-	1	-	-	-----	MA,U
	64200-KYJ-E20ZA	*TYPE5*	-	-	-	-	-	1	-----	MA
4	64210-KPP-T00ZH	COWL, R. FR. SIDE							-----	KO,MA,U
	64210-KPP-T00ZA	*NH411M*FORCE SILVER METALLIC	1	1	-	1	1	-	-----	2U,5MA,5U
	64210-KPP-T00ZD	*NHA35M*	1	-	1	1	-	1	-----	3U
	64210-KPP-T00ZD	*PB308P*...PEARL SPENCER BLUE	1	-	-	-	-	-	-----	3K0,3MA,3U
	64210-KPP-T00ZN	*NHA87P*PEARL HIMALAYAS WHITE	-	-	1	-	-	1	-----	6U,KO,MA,U
	64210-KPP-T00ZB	*NH1*...BLACK	-	-	1	-	-	1	-----	U
	64210-KPP-T00ZC	*R263*...MILLENNIUM RED	-	-	1	-	-	1	-----	MA
	64210-KPP-T00ZJ	*NH196*...ROSS WHITE	-	-	-	1	-	1	-----	

Ref. No.	Part No.	Description	Reqd. QTY						Serial No.	Parts catalogue code	
			CBR250R			CBR250RA					
			B	C	D	B	C	D			
5	64216-GJ2-730	RUBBER, SCREEN SETTING	2	2	2	2	2	2	-----	-----	2U,3KO,3MA,3U,4KO,4MA,4U,5MA,5U,6U,KO,MA,U
6	64220-KPP-T00ZH	COWL, L. FR. SIDE *NH411M*FORCE SILVER METALLIC	1	1	-	1	1	-	-----	-----	KO,MA,U
	64220-KPP-T00ZA	*NHA35M* ASTEROID BLACK METALLIC	1	-	1	1	-	1	-----	-----	2U,5MA,5U
	64220-KPP-T00ZD	*PB308P*...PEARL SPENCER BLUE	1	-	-	-	-	-	-----	-----	3U
	64220-KPP-T00ZP	*NHA87P*PEARL HIMALAYAS WHITE	-	-	1	-	-	1	-----	-----	3KO,3MA,3U
	64220-KPP-T00ZB	*NH1*.....BLACK	-	-	1	-	-	1	-----	-----	6U,KO,MA,U
	64220-KPP-T00ZC	*R263*.....MILLENNIUM RED	-	-	1	-	-	1	-----	-----	U
	64220-KPP-T00ZJ	*NH196*.....ROSS WHITE	-	-	1	-	-	1	-----	-----	MA
7	64221-KYJ-900	STAY COMP., FR. COWL UPPER ..	1	1	1	1	1	1	-----	-----	2U,3KO,3MA,3U,4KO,4MA,4U,5MA,5U,6U,KO,MA,U
9	64260-KPP-T00	COWL, FR. INNER	1	1	1	1	1	1	-----	-----	2U,3KO,3MA,3U,4KO,4MA,4U,5MA,5U,6U,KO,MA,U
10	64261-KPP-T00	STAY, R. FR. INNER COWL	1	1	1	1	1	1	-----	-----	2U,3KO,3MA,3U,4KO,4MA,4U,5MA,5U,6U,KO,MA,U
11	64262-KPP-T00	STAY, L. FR. INNER COWL	1	1	1	1	1	1	-----	-----	2U,3KO,3MA,3U,4KO,4MA,4U,5MA,5U,6U,KO,MA,U
12	64270-KPP-T00	COWL, R. SIDE INNER	1	1	1	1	1	1	-----	-----	2U,3KO,3MA,3U,4KO,4MA,4U,5MA,5U,6U,KO,MA,U
13	64280-KPP-T00	COWL, L. SIDE INNER	1	1	1	1	1	1	-----	-----	2U,3KO,3MA,3U,4KO,4MA,4U,5MA,5U,6U,KO,MA,U
16	88110-KPP-T01	MIRROR ASSY., R. BACK	1	1	1	1	1	1	-----	-----	2U,3KO,3MA,3U,4KO,4MA,4U,5MA,5U,6U,KO,MA,U
17	88120-KPP-T01	MIRROR ASSY., L. BACK	1	1	1	1	1	1	-----	-----	2U,3KO,3MA,3U,4KO,4MA,4U,5MA,5U,6U,KO,MA,U
18	88201-KPP-T00	RUBBER, BACK MIRROR	2	2	2	2	2	2	-----	-----	2U,3KO,3MA,3U,4KO,4MA,4U,5MA,5U,6U,KO,MA,U
19	90116-KWT-900	RIVET, PUSH, 7MM	6	6	6	6	6	6	-----	-----	2U,3KO,3MA,3U,4KO,4MA,4U,5MA,5U,6U,KO,MA,U
20	90130-KPP-T00	BOLT, SOCKET, 6X13	4	4	4	4	4	4	-----	-----	2U,3KO,3MA,3U,4KO,4MA,4U,5MA,5U,6U,KO,MA,U
21	90132-KPP-T00	SCREW, PAN, 6X10	2	2	2	2	2	2	-----	-----	2U,3KO,3MA,3U,4KO,4MA,4U,5MA,5U,6U,KO,MA,U
22	90134-KPP-T00	SCREW, PAN, 5X14	4	4	4	4	4	4	-----	-----	2U,3KO,3MA,3U,4KO,4MA,4U,5MA,5U,6U,KO,MA,U
23	90666-SDA-A01	CLIP, SNAP FITTING(PO) (NATURAL)	4	4	4	4	4	4	-----	-----	2U,3KO,3MA,3U,4KO,4MA,4U,5MA,5U,6U,KO,MA,U
24	90677-KAN-T00	NUT, CLIP, 5MM	2	2	2	2	2	2	-----	-----	2U,3KO,3MA,3U,4KO,4MA,4U,5MA,5U,6U,KO,MA,U
25	93903-24380	SCREW, TAPPING, 4X12	8	8	8	8	8	8	-----	-----	2U,3KO,3MA,3U,4KO,4MA,4U,5MA,5U,6U,KO,MA,U
26	95801-08032-00	BOLT, FLANGE, 8X32	2	2	2	2	2	2	-----	-----	2U,3KO,3MA,3U,4KO,4MA,4U,5MA,5U,6U,KO,MA,U
27	90443-KTM-970	NUT, CAP, 8MM	2	2	2	2	2	2	-----	-----	2U,3KO,3MA,3U,4KO,4MA,4U,5MA,5U,6U,KO,MA,U
28	64600-KYJ-900ZC	LID ASSY., L. TANK *NHA95M*SWORD SILVER METALLIC	1	1	-	-	-	-	-----	-----	KO,MA
	64600-KYJ-900ZD	*NHA35M* ASTEROID BLACK METALLIC	1	1	-	1	1	-	-----	-----	KO,MA
	64600-KYJ-900ZA	*R4C*.....CANDY RUBY RED	1	1	-	-	-	-	-----	-----	KO,MA,U
	64600-KYJ-A00	1	-	1	1	-	1	-----	-----	2U,3KO,3MA,3U,4KO,4MA,4U
	64600-KYJ-900ZF	*NH1*.....BLACK	-	-	1	-	-	1	-----	-----	6U,KO,MA,U
	64600-KYJ-900ZE	*R263*.....MILLENNIUM RED	-	-	1	-	-	1	-----	-----	U
	64600-KYJ-900ZD	*NHA35M* ASTEROID BLACK METALLIC	-	-	1	-	-	1	-----	-----	5MA,5U
	64600-KYJ-900ZB	*NH196*.....ROSS WHITE	-	-	-	1	-	1	-----	-----	MA
	64600-KYJ-900ZC	*NHA95M*SWORD SILVER METALLIC	-	-	-	1	-	-	-----	-----	MA
	64600-KYJ-900ZA	*R4C*.....CANDY RUBY RED	-	-	-	1	-	-	-----	-----	MA,U
29	64465-KYJ-900	RUBBER SPONGE, LID	2	2	2	2	2	2	-----	-----	2U,3KO,3MA,3U,4KO,4MA,4U,5MA,5U,6U,KO,MA,U
30	64500-KYJ-900ZC	LID ASSY., R. TANK *NHA95M*SWORD SILVER METALLIC	1	1	-	-	-	-	-----	-----	KO,MA
	64500-KYJ-900ZD	*NHA35M* ASTEROID BLACK METALLIC	1	1	-	1	1	-	-----	-----	KO,MA
	64500-KYJ-900ZA	*R4C*.....CANDY RUBY RED	1	1	-	-	-	-	-----	-----	KO,MA,U
	64500-KYJ-A00	1	-	1	1	-	1	-----	-----	2U,3KO,3MA,3U,4KO,4MA,4U
	64500-KYJ-900ZF	*NH1*.....BLACK	-	-	1	-	-	1	-----	-----	6U,KO,MA,U
	64500-KYJ-900ZE	*R263*.....MILLENNIUM RED	-	-	1	-	-	1	-----	-----	U
	64500-KYJ-900ZD	*NHA35M* ASTEROID BLACK METALLIC	-	-	1	-	-	1	-----	-----	5MA,5U
	64500-KYJ-900ZB	*NH196*.....ROSS WHITE	-	-	-	1	-	1	-----	-----	MA





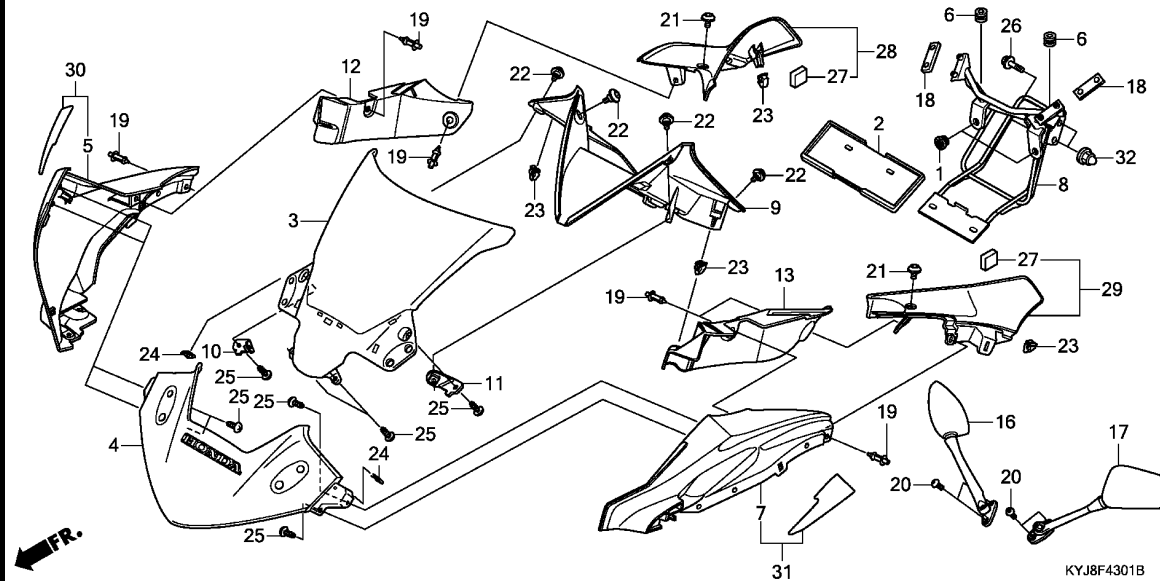
Ref. No.	Part No.	Description	Reqd. QTY						Serial No.	Parts catalogue code
			CBR250R			CBR250RA				
			B	C	D	B	C	D		
30)	64500-KYJ-900ZC	LID ASSY., R. TANK	-	-	-	1	-	-	-----	MA
	64500-KYJ-900ZA	*NHA95M*SWORD SILVER METALLIC *R4C*.....CANDY RUBY RED	-	-	-	1	-	-	-----	MA,U
31	64215-KTY-D70ZA	COWL SET, R. FR. SIDE(WL) *PB123PA*..PEARL SIREN BLUE-A	-	-	1	-	-	1	-----	4K0,4MA,4U
32	64225-KTY-D70ZA	COWL SET, L. FR. SIDE(WL) *PB123PA*..PEARL SIREN BLUE-A	-	-	1	-	-	1	-----	4K0,4MA,4U

3

F-43-1

UPPER COWL(2)

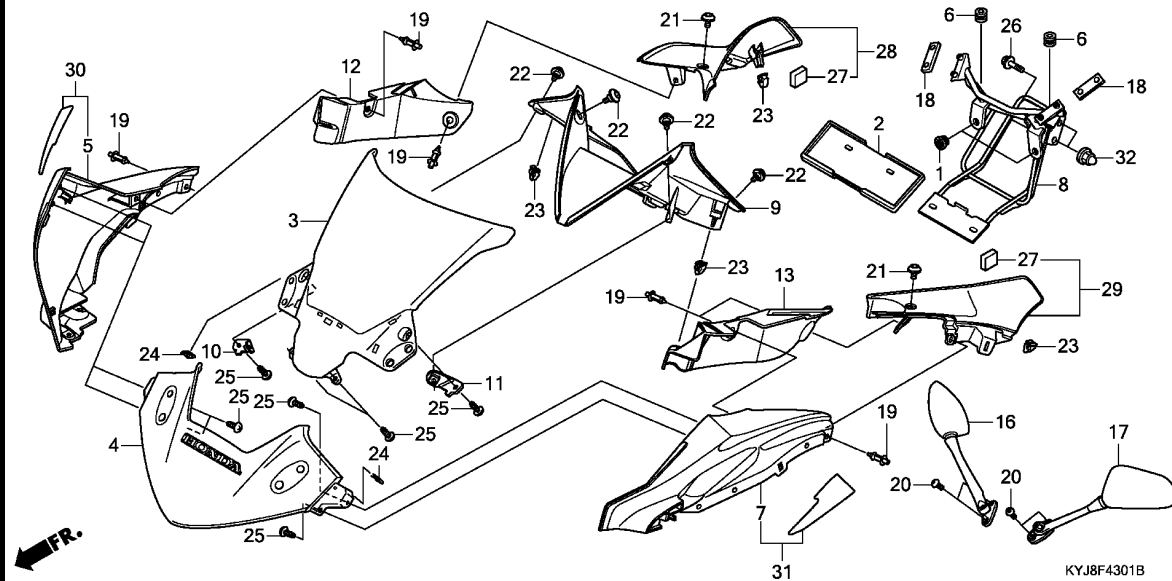
L12



Ref. No.	L.O.N.	(Relative ref. Number) Description	F.R.T.
3	411115	WINDSCREEN SET	0.9
4	4111L3	COWL, FRONT CENTER	0.9
5	4111L5	COWL, FRONT :RIGHT	0.9
7	4111L4	COWL, FRONT :LEFT	0.9
	4111L6	COWL, FRONT :BOTH	0.9
8	411105	STAY, FRONT COVER	0.7
9	411142	COWL, INNER :CENTER	0.6
12	4111D9	COWL, INNER :RIGHT	0.6
13	4111D8	COWL, INNER :LEFT	0.6
	4111E0	COWL, INNER :BOTH	0.6
28	4131Q7	COVER, TANK SIDE :RIGHT	0.2
29	4131Q6	COVER, TANK SIDE :LEFT	0.2
	4131Q8	COVER, TANK SIDE :BOTH	0.4

Ref. No.	Part No.	Description	Reqd. QTY						Serial No.	Parts catalogue code	
			CBR250R			CBR250RA					
			B	C	D	B	C	D			
1	61304-KRY-900	RUBBER, HEADLIGHT CASE MOUNTING	2	-	2	2	-	2	-----	-----	3IN,4IN,IN
2	61316-KCJ-660	GUARD, NUMBER PLATE	1	-	1	1	-	1	-----	-----	3IN,4IN,IN
3	64110-KYJ-900	WINDSCREEN	1	-	1	1	-	1	-----	-----	3IN,4IN,IN
4	64200-KYJ-900ZD	COWL SET, FR. UPPER(WL)									
		TYPE2 1.....	1	-	-	1	-	-	-----	-----	IN
	64200-KYJ-900ZE	*TYPE1 1*.....	1	-	-	1	-	-	-----	-----	IN
	64200-KYJ-900ZF	*TYPE3 1*.....	1	-	-	1	-	-	-----	-----	IN
	64200-KYJ-K20ZA	*TYPE1*.....	-	-	1	-	-	1	-----	-----	3IN
	64200-KYJ-M60ZB	*TYPE1*.....	-	-	1	-	-	1	-----	-----	4IN
	64200-KYJ-E20ZD	*TYPE2*.....	-	-	1	-	-	1	-----	-----	IN
	64200-KYJ-E20ZE	*TYPE1*.....	-	-	1	-	-	1	-----	-----	IN
5	64210-KPP-T00ZH	COWL, R. FR. SIDE									
		*NH411M*FORCE SILVER METALLIC	1	-	-	1	-	-	-----	-----	IN
	64210-KPP-T00ZN	*NHA87P*PEARL HIMALAYAS WHITE	-	-	1	-	-	1	-----	-----	3IN
	64210-KPP-T00ZB	*NH1*.....BLACK	-	-	1	-	-	1	-----	-----	IN
	64210-KPP-T00ZC	*R263*.....MILLENNIUM RED	-	-	1	-	-	1	-----	-----	IN
6	64216-GJ2-730	RUBBER, SCREEN SETTING	2	-	2	2	-	2	-----	-----	3IN,4IN,IN
7	64220-KPP-T00ZH	COWL, L. FR. SIDE									
		*NH411M*FORCE SILVER METALLIC	1	-	-	1	-	-	-----	-----	IN
	64220-KPP-T00ZP	*NHA87P*PEARL HIMALAYAS WHITE	-	-	1	-	-	1	-----	-----	3IN
	64220-KPP-T00ZB	*NH1*.....BLACK	-	-	1	-	-	1	-----	-----	IN
	64220-KPP-T00ZC	*R263*.....MILLENNIUM RED	-	-	1	-	-	1	-----	-----	IN
8	64221-KYJ-970	STAY COMP., FR. COWL UPPER ..	1	-	1	1	-	1	-----	-----	3IN,4IN,IN
9	64260-KPP-T00	COWL, FR. INNER	1	-	1	1	-	1	-----	-----	3IN,4IN,IN
10	64261-KPP-T00	STAY, R. FR. INNER COWL	1	-	1	1	-	1	-----	-----	3IN,4IN,IN
11	64262-KPP-T00	STAY, L. FR. INNER COWL	1	-	1	1	-	1	-----	-----	3IN,4IN,IN

3

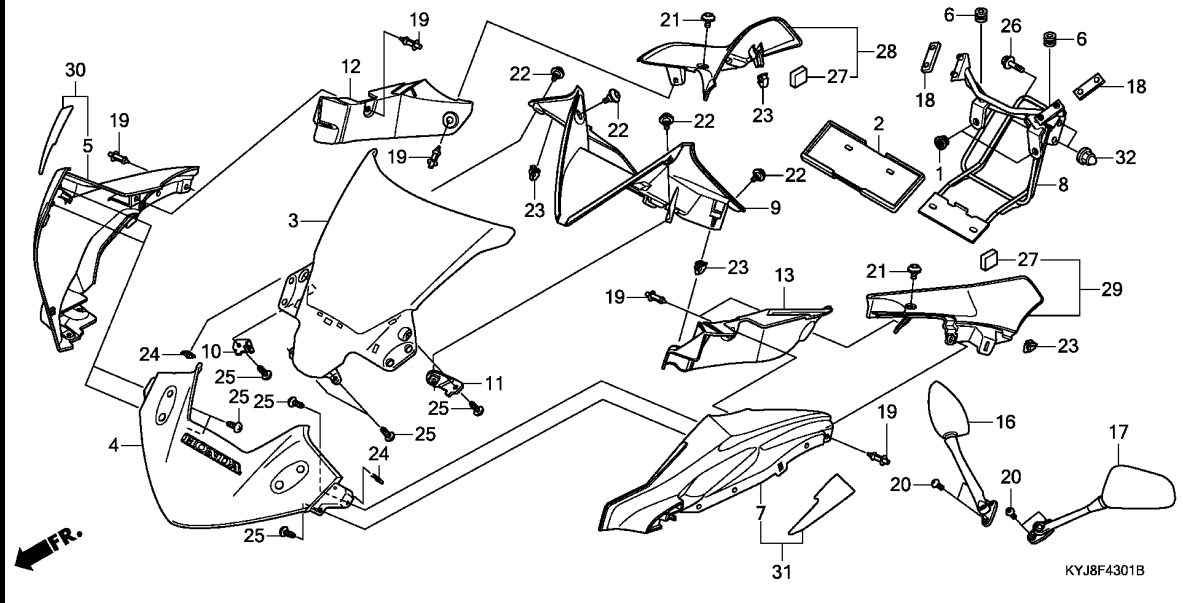


Ref. No.	Part No.	Description	Reqd. QTY						Serial No.	Parts catalogue code
			CBR250R			CBR250RA				
			B	C	D	B	C	D		
12	64270-KPP-T00	COWL, R. SIDE INNER	1	-	1	1	-	1	-----	3IN,4IN,IN
13	64280-KPP-T00	COWL, L. SIDE INNER	1	-	1	1	-	1	-----	3IN,4IN,IN
16	88110-KPP-T01	MIRROR ASSY., R. BACK	1	-	1	1	-	1	-----	3IN,4IN,IN
17	88120-KPP-T01	MIRROR ASSY., L. BACK	1	-	1	1	-	1	-----	3IN,4IN,IN
18	88201-KPP-T00	RUBBER, BACK MIRROR	2	-	2	2	-	2	-----	3IN,4IN,IN
19	90116-KWT-900	RIVET, PUSH, 7MM	6	-	6	6	-	6	-----	3IN,4IN,IN
20	90130-KPP-T00	BOLT, SOCKET, 6X13	4	-	4	4	-	4	-----	3IN,4IN,IN
21	90132-KPP-T00	SCREW, PAN, 6X10	2	-	2	2	-	2	-----	3IN,4IN,IN
22	90134-KPP-T00	SCREW, PAN, 5X14	4	-	4	4	-	4	-----	3IN,4IN,IN
23	90666-SDA-A01	CLIP, SNAP FITTING(PO) (NATURAL)	4	-	4	4	-	4	-----	3IN,4IN,IN
24	90677-KAN-T00	NUT, CLIP, 5MM	2	-	2	2	-	2	-----	3IN,4IN,IN
25	93903-24380	SCREW, TAPPING, 4X12	8	-	8	8	-	8	-----	3IN,4IN,IN
26	95801-08032-00	BOLT, FLANGE, 8X32	2	-	2	2	-	2	-----	3IN,4IN,IN
27	64465-KYJ-900	RUBBER SPONGE, LID	2	-	2	2	-	2	-----	3IN,4IN,IN
28	64500-KYJ-900ZA	LID ASSY., R. TANK								
	R4CCANDY RUBY RED	1	-	1	-	-	-	-----	IN
	64500-KYJ-900ZC	*NHA95M*SWORD SILVER METALLIC	1	-	1	-	-	-	-----	IN
	64500-KYJ-900ZD	*NHA35M*								
ASTEROID BLACK METALLIC		1	-	1	-	-	-	-----	IN
	64500-KYJ-A00	-	-	1	-	-	1	-----	3IN,4IN
	64500-KYJ-900ZE	*R263*.....MILLENNIUM RED	-	-	1	-	-	1	-----	IN
	64500-KYJ-900ZF	*NH1*.....BLACK	-	-	1	-	-	1	-----	IN
29	64600-KYJ-900ZA	LID ASSY., L. TANK								
	R4CCANDY RUBY RED	1	-	1	-	-	-	-----	IN
	64600-KYJ-900ZC	*NHA95M*SWORD SILVER METALLIC	1	-	1	-	-	-	-----	IN

F-43-1

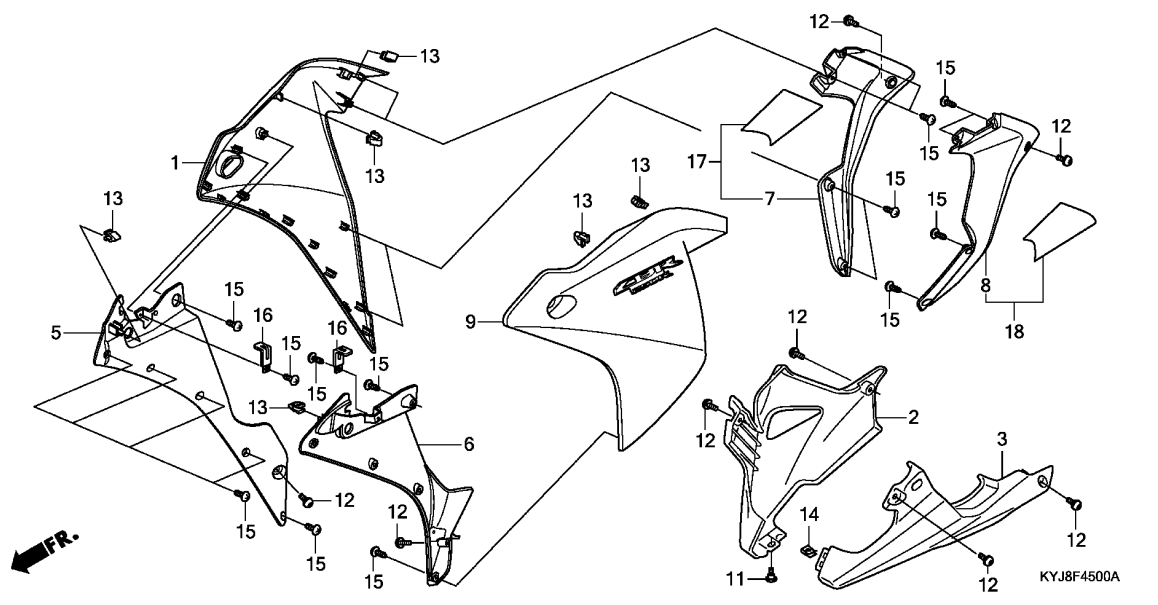
UPPER COWL(2)

L14



Ref. No.	Part No.	Description	Reqd. QTY						Serial No.	Parts catalogue code
			CBR250R			CBR250RA				
			B	C	D	B	C	D		
29)	64600-KYJ-900ZD	LID ASSY., L. TANK *NHA35M*								
		ASTEROID BLACK METALLIC	1	-	-	1	-	-	-----	IN
	64600-KYJ-A00	-	-	1	-	-	1	-----	3IN,4IN
	64600-KYJ-900ZE	*R263*.....MILLENNIUM RED	-	-	1	-	-	1	-----	IN
	64600-KYJ-900ZF	*NH1*.....BLACK	-	-	1	-	-	1	-----	IN
30	64215-KTY-D70ZA	COWL SET, R. FR. SIDE(WL) *PB123PA*..PEARL SIREN BLUE-A	-	-	1	-	-	1	-----	4IN
31	64225-KTY-D70ZA	COWL SET, L. FR. SIDE(WL) *PB123PA*..PEARL SIREN BLUE-A	-	-	1	-	-	1	-----	4IN
32	90443-KTM-970	NUT, CAP, 8MM	2	-	2	2	-	2	-----	3IN,4IN,IN

3



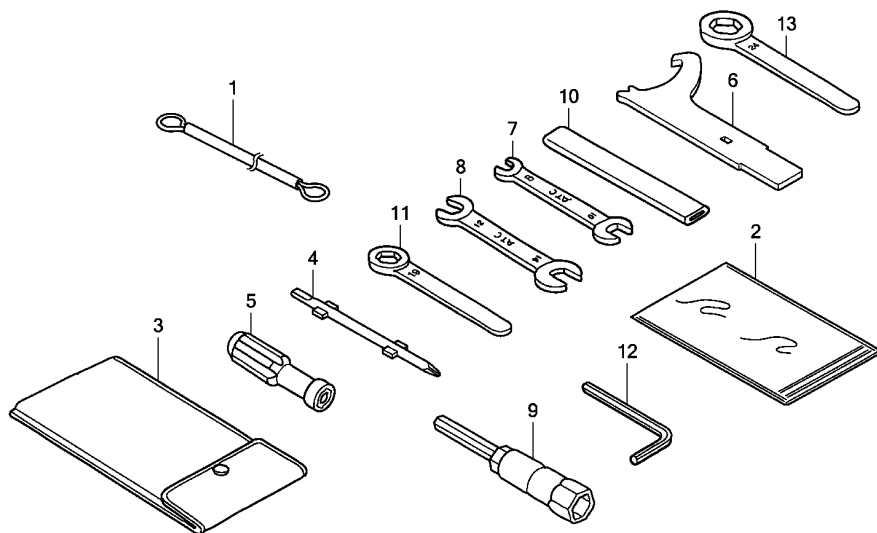
Ref. No.	L.O.N.	(Relative ref. Number) Description	F.R.T.
1		(7,17)	
4111D4		COWL, MIDDLE :RIGHT	0.3
4111D7		COWL, LOWER :RIGHT	0.3
4111D6		COWL, LOWER :LEFT	0.3
4111H1		COWL, LOWER :BOTH	0.3
4111G8		COWL, INNER MIDDLE :RIGHT	0.3
4111G9		COWL, INNER MIDDLE :LEFT	0.3
4111H0		COWL, INNER MIDDLE :BOTH	0.6
9		(8,10,18)	
4111D3		COWL, MIDDLE :LEFT	0.3
4111D5		COWL, MIDDLE :BOTH	0.6

3

Ref. No.	Part No.	Description	Reqd. QTY						Serial No.	Parts catalogue code
			CBR250R			CBR250RA				
			B	C	D	B	C	D		
1	64300-KYJ-900ZA	COWL SET, R. MIDDLE(WL)								
		TYPE2	1	1	-	1	1	-	-----	2U,IN,KO,MA
	64300-KYJ-900ZC	*TYPE3*	1	1	-	-	-	-	-----	IN,KO,MA
	64300-KYJ-900ZB	*TYPE1*	1	1	-	-	-	-	-----	IN,KO,MA,U
	64300-KYJ-960ZA	*TYPE1*	1	-	-	-	-	-	-----	3U
	64300-KYJ-K20ZA	*TYPE1*	-	-	1	-	-	1	-----	3IN,3KO,3MA,3U
	64300-KYJ-M60ZB	*TYPE1*	-	-	1	-	-	1	-----	4IN,4KO,4MA,4U
	64300-KYJ-L40ZA	*TYPE1*	-	-	1	-	-	1	-----	5MA,5U
	64300-KYJ-L50ZA	*TYPE1*	-	-	1	-	-	1	-----	6U
	64300-KYJ-E20ZB	*TYPE2*	-	-	1	-	-	1	-----	IN,KO,MA,U
	64300-KYJ-E20ZC	*TYPE1*	-	-	1	-	-	1	-----	IN,U
	64300-KYJ-900ZC	*TYPE3*	-	-	-	1	-	-	-----	IN,MA
	64300-KYJ-900ZB	*TYPE1*	-	-	-	1	-	-	-----	IN,MA,U
	64300-KYJ-900ZD	*TYPE4*	-	-	-	1	-	-	-----	MA
	64300-KYJ-E20ZA	*TYPE3*	-	-	-	-	-	1	-----	MA
2	64310-KYJ-900	COWL, R. UNDER	1	1	1	1	1	1		
3	64320-KYJ-900	COWL, L. UNDER	1	1	1	1	1	1		
5	64350-KPP-T00	COWL, R. INNER MIDDLE	1	1	1	1	1	1		
6	64360-KPP-T00	COWL, L. INNER MIDDLE	1	1	1	1	1	1		
7	64370-KYJ-900ZD	PANEL, R. MIDDLE								
		*NH411M*FORCE SILVER METALLIC	1	1	-	1	1	-	-----	IN,KO,MA,U
	64370-KYJ-900ZC	*NHA35M*								
		ASTEROID BLACK METALLIC	1	-	-	1	-	-	-----	2U
	64370-KYJ-900ZA	*NH196*.....ROSS WHITE	1	-	-	-	-	-	-----	3U
	64370-KPP-T00	-	-	1	-	-	1	-----	4IN,4KO,4MA,4U
	64370-KYJ-900ZE	*Y192C*CANDY MOON GLOW YELLOW	-	-	1	-	-	1	-----	6U
	64370-KYJ-900ZG	*NH1*.....BLACK	-	-	1	-	-	1	-----	IN,KO,MA,U
	64370-KYJ-900ZF	*R263*.....MILLENNIUM RED	-	-	1	-	-	1	-----	IN,U

Ref. No.	Part No.	Description	Reqd. QTY						Serial No.	Parts catalogue code
			CBR250R			CBR250RA				
			B	C	D	B	C	D		
(7)	64370-KYJ-900ZA	PANEL, R. MIDDLE								
		NH196.....ROSS WHITE	-	-	-	1	-	1	-----	MA
8	64380-KYJ-900ZD	PANEL, L. MIDDLE								
		*NH411M*FORCE SILVER METALLIC	1	1	-	1	1	-	-----	IN,KO,MA,U
	64380-KYJ-900ZC	*NHA35M*								
		ASTEROID BLACK METALLIC	1	-	-	1	-	-	-----	2U
	64380-KYJ-900ZA	*NH196*.....ROSS WHITE	1	-	-	-	-	-	-----	3U
	64380-KPP-T00	-	-	1	-	-	1	-----	4IN,4KO,4MA,4U
	64380-KYJ-900ZE	*Y192C*CANDY MOON GLOW YELLOW	-	-	1	-	-	1	-----	6U
	64380-KYJ-900ZG	*NH1*.....BLACK	-	-	1	-	-	1	-----	IN,KO,MA,U
	64380-KYJ-900ZF	*R263*.....MILLENNIUM RED	-	-	1	-	-	1	-----	IN,U
	64380-KYJ-900ZA	*NH196*.....ROSS WHITE	-	-	-	1	-	1	-----	MA
9	64400-KYJ-900ZA	COWL SET, L. MIDDLE(WL)								
		TYPE2.....	1	1	-	1	1	-	-----	2U,IN,KO,MA
	64400-KYJ-900ZC	*TYPE3*.....	1	1	-	-	-	-	-----	IN,KO,MA
	64400-KYJ-900ZB	*TYPE1*.....	1	1	-	-	-	-	-----	IN,KO,MA,U
	64400-KYJ-960ZA	*TYPE1*.....	1	-	-	-	-	-	-----	3U
	64400-KYJ-K20ZA	*TYPE1*.....	-	-	1	-	-	1	-----	3IN,3KO,3MA,3U
	64400-KYJ-M60ZB	*TYPE1*.....	-	-	1	-	-	1	-----	4IN,4KO,4MA,4U
	64400-KYJ-L40ZA	*TYPE1*.....	-	-	1	-	-	1	-----	5MA,5U
	64400-KYJ-L50ZA	*TYPE1*.....	-	-	1	-	-	1	-----	6U
	64400-KYJ-E20ZB	*TYPE2*.....	-	-	1	-	-	1	-----	IN,KO,MA,U
	64400-KYJ-E20ZC	*TYPE1*.....	-	-	1	-	-	1	-----	IN,U
	64400-KYJ-900ZC	*TYPE3*.....	-	-	1	-	-	-	-----	IN,MA
	64400-KYJ-900ZB	*TYPE1*.....	-	-	-	1	-	-	-----	IN,MA,U
	64400-KYJ-900ZD	*TYPE4*.....	-	-	-	1	-	-	-----	MA
	64400-KYJ-E20ZA	*TYPE3*.....	-	-	-	-	-	1	-----	MA
11	90115-KPP-860	SCREW, VISOR SPECIAL SETTING	1	1	1	1	1	1		
12	90132-KPP-T00	SCREW, PAN, 6X10	8	8	8	8	8	8		
13	90666-SDA-A01	CLIP, SNAP FITTING(PO)								
		(NATURAL)	6	6	6	6	6	6		
14	90677-KAN-T00	NUT, CLIP, 5MM	1	1	1	1	1	1		
15	93903-24380	SCREW, TAPPING, 4X12	22	22	22	22	22	22		
16	94591-45000	CLIP, WIRE, 4X50	2	2	2	2	2	2		
17	64340-KYJ-K20ZA	PANEL SET, R. MIDDLE(WL)								
		TYPE1.....	-	-	1	-	-	1	-----	3IN,3KO,3MA,3U
	64340-KYJ-L40ZA	*TYPE1*.....	-	-	1	-	-	1	-----	5MA,5U
18	64440-KYJ-K20ZA	PANEL SET, L. MIDDLE(WL)								
		TYPE1.....	-	-	1	-	-	1	-----	3IN,3KO,3MA,3U
	64440-KYJ-L40ZA	*TYPE1*.....	-	-	1	-	-	1	-----	5MA,5U





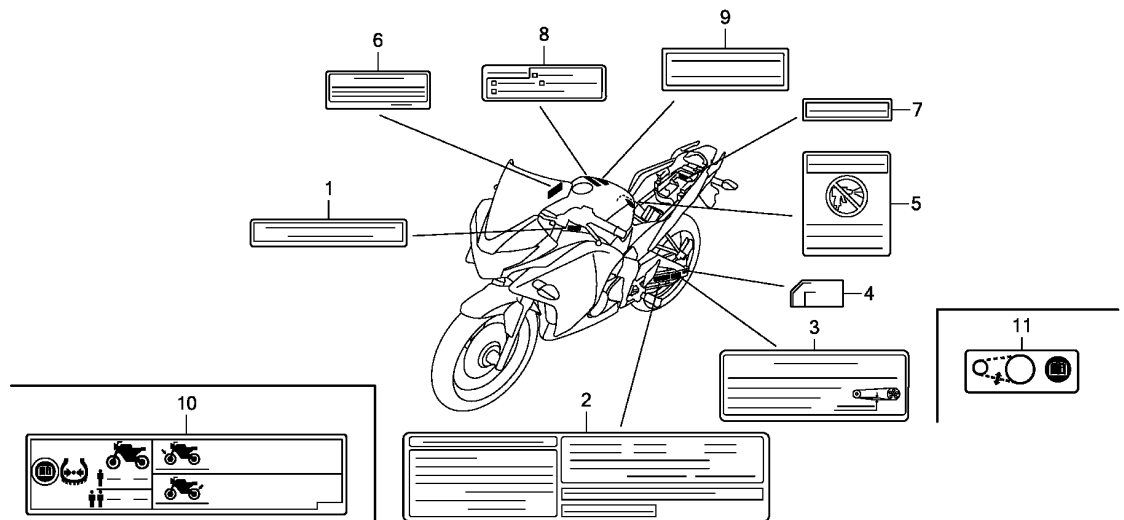
KYJ8F4800

Ref. L.O.N. (Relative ref. Number) F.R.T.
No. Description

NO INFORMATION

3

Ref. No.	Part No.	Description	Reqd. QTY						Serial No.	Parts catalogue code
			CBR250R			CBR250RA				
			B	C	D	B	C	D		
1	77236-KAZ-780	WIRE, HELMET SET	1	1	1	1	1	1		
2	77251-GR1-000	BAG, SERVICE BOOK	1	1	1	1	1	1		
3	89101-MC7-000	BAG, TOOL	1	1	1	1	1	1		
4	89102-538-000	DRIVER, SCREW(NO.2 + -)	1	1	1	1	1	1		
5	89103-538-000	GRIP	1	1	1	1	1	1		
6	89202-KY1-700	SPANNER, PIN	1	1	1	1	1	1		
7	89211-KWW-601	SPANNER, 8X10(ATC)	1	1	1	1	1	1		
8	89213-KWW-601	SPANNER, 12X14(ATC)	1	1	1	1	1	1		
9	89216-KYJ-900	WRENCH, PLUG(16.5)	(1)	-	-	(1)	-	-		
	89216-MAT-000	-	(1)	(1)	-	(1)	(1)		
10	89217-KGH-900	HANDLE, EYE WRENCH	1	1	1	1	1	1		
11	89219-KWW-601	WRENCH, EYE, 19MM	1	1	1	1	1	1		
12	89221-429-000	WRENCH, HEX., 5MM	1	1	1	1	1	1		
13	99006-24000	WRENCH, EYE, 24MM	1	1	1	1	1	1		

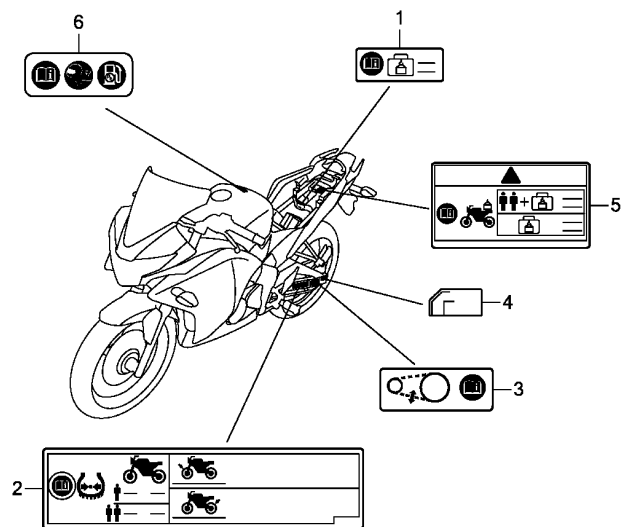


KYJ8F4900A

Ref. L.O.N. (Relative ref. Number) F.R.T.
No. Description

NO INFORMATION

Ref. No.	Part No.	Description	Reqd. QTY						Serial No.	Parts catalogue code
			CBR250R			CBR250RA				
			B	C	D	B	C	D		
1	87125-GB0-900	PLATE, NAME	1	1	1	1	1	1	-----	3K0,4K0,KO
2	87505-KYJ-980	LABEL, TIRE (KOREAN)	1	1	1	1	1	1	-----	3K0,4K0,KO
	87505-KYJ-970	LABEL, TIRE (INDONESIA)	1	-	1	1	-	1	-----	3IN,4IN,IN
	87505-KYJ-920	LABEL, TIRE (ENGLISH)	1	-	1	-	-	-	-----	MA
3	87507-KYJ-980	LABEL, DRIVE CHAIN(KOREAN) ..	1	1	1	1	1	1	-----	3K0,4K0,KO
	87507-KYJ-970	LABEL, DRIVE CHAIN(INDONESIA)	1	-	1	1	-	1	-----	3IN,4IN,IN
	87507-MZ8-W00	LABEL, DRIVE CHAIN(ENGLISH) -	1	-	1	-	-	-	-----	MA
4	87508-KYJ-980	LABEL, CHAIN ADJUSTER (KOREAN)	1	1	1	1	1	1	-----	3K0,4K0,KO
	87508-KYJ-970	LABEL, CHAIN ADJUSTER								
		(INDONESIA)	1	-	1	1	-	1	-----	3IN,4IN,IN
5	87509-KW8-670	LABEL, CHAIN ADJUSTER (ENGLISH)	1	-	1	1	-	1	-----	3MA,4MA,5MA,MA
	87509-KWW-A40	LABEL, AIR CLEANER ELEMENT								
		NOTICE (INDONESIA)	1	-	1	1	-	1	-----	3IN,4IN,IN
	87509-KWP-900	LABEL, AIR CLEANER ELEMENT								
		NOTICE	1	-	1	1	-	1	-----	3MA,4MA,5MA,MA
6	87522-MAB-600	LABEL, VISOR CAUTION	1	-	1	1	-	1	-----	3MA,4MA,5MA,MA
7	87523-KPP-980	LABEL, CARGO LIMIT(3.0)								
		(KOREAN)	1	1	1	1	1	1	-----	3K0,4K0,KO
8	87560-MBR-871	LABEL, DRIVE CAUTION(KOREAN)	1	1	1	1	1	1	-----	3K0,4K0,KO
	87560-KVB-930	LABEL, DRIVE CAUTION								
		(INDONESIA)	1	-	1	1	-	1	-----	3IN,4IN,IN
	87560-KTT-950	LABEL, DRIVE CAUTION	1	-	1	1	-	1	-----	3MA,4MA,5MA,MA
9	87586-KVB-930	LABEL, FUEL	1	-	1	-	-	-	-----	IN
	87586-KPP-600	-	-	1	-	-	1	-----	3IN,4IN,IN
10	87505-KYJ-960	LABEL, TIRE	-	-	1	-	-	1	-----	3MA,4MA,5MA,MA
11	87507-KYJ-960	LABEL, DRIVE CHAIN	-	-	1	-	-	1	-----	3MA,4MA,5MA,MA



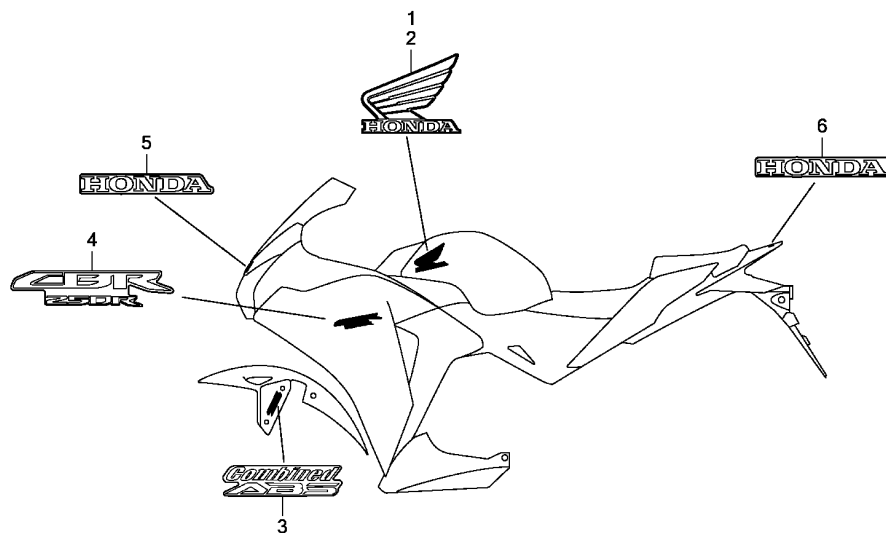
KYJ8F4901B

Ref. L.O.N. (Relative ref. Number) F.R.T.
No. Description

NO INFORMATION

3

Ref. No.	Part No.	Description	Reqd. QTY						Serial No.	Parts catalogue code	
			CBR250R			CBR250RA					
			B	C	D	B	C	D			
1	81220-KTW-A60	LABEL, CARGO LIMIT(3.0KG) ...	1	-	1	1	-	1	-----	-----	2U,3U,4U,5U,6U,U
2	87505-KYJ-960	LABEL, TIRE	1	-	1	1	-	1	-----	-----	2U,3U,4U,5U,6U,U
3	87507-KYJ-960	LABEL, DRIVE CHAIN	1	-	1	1	-	1	-----	-----	2U,3U,4U,5U,6U,U
4	87508-MN8-670	LABEL, CHAIN ADJUSTER(ENGLISH)	1	-	1	1	-	1	-----	-----	2U,3U,4U,5U,6U,U
5	87512-KYJ-960	LABEL, ACCESSORIES & LOADING	1	-	1	1	-	1	-----	-----	2U,3U,4U,5U,6U,U
6	87586-MGN-D00	LABEL, FUEL & DRIVE	1	-	1	1	-	1	-----	-----	2U,3U,4U,5U,6U,U

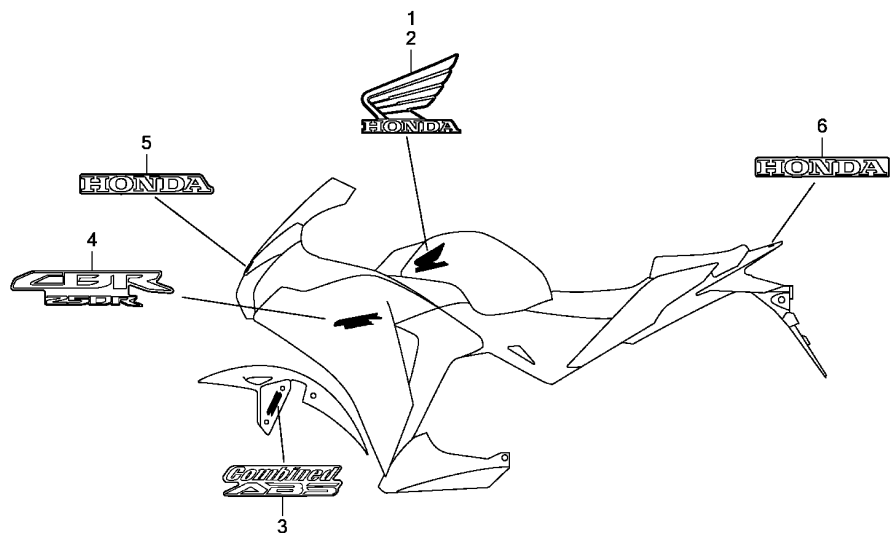


KYJ8F5000A

Ref. No. L.O.N. (Relative ref. Number) Description F.R.T.

NO INFORMATION

Ref. No.	Part No.	Description	Reqd. QTY						Serial No.	Parts catalogue code
			CBR250R			CBR250RA				
			B	C	D	B	C	D		
1	86171-KPP-T00ZJ	MARK, R. WING								
		TYPE8	1	1	-	1	1	-	-----	2U,IN,KO,MA
	86171-KPP-T00ZC	*TYPE5*	1	1	-	-	-	-	-----	IN,KO,MA,U
	86171-KPP-T00ZF	*TYPE6*	1	-	-	1	-	-	-----	IN,MA
	86171-KPP-T00ZH	*TYPE7*	1	-	-	-	-	-	-----	KO
	86171-KPP-T00ZF	*TYPE6*	-	1	-	-	-	-	-----	
	86201-KYJ-E20ZE	MARK, R. WING (90MM)								
		TYPE2	-	-	1	-	-	1	-----	IN,KO,MA,U
	86201-KYJ-E20ZF	*TYPE1*	-	-	1	-	-	1	-----	IN,U
	86171-KPP-T00ZC	MARK, R. WING								
		TYPE5	-	-	-	1	-	-	-----	IN,MA,U
	86171-KPP-T00ZA	*TYPE1*	-	-	-	1	-	-	-----	MA
	86201-KYJ-E20ZA	MARK, R. WING (90MM)								
		TYPE6	-	-	-	-	-	1	-----	MA
2	86172-KPP-T00ZJ	MARK, L. WING								
		TYPE8	1	1	-	1	1	-	-----	2U,IN,KO,MA
	86172-KPP-T00ZC	*TYPE5*	1	1	-	-	-	-	-----	IN,KO,MA,U
	86172-KPP-T00ZF	*TYPE6*	1	-	-	1	-	-	-----	IN,MA
	86172-KPP-T00ZH	*TYPE7*	1	-	-	-	-	-	-----	KO
	86172-KPP-T00ZF	*TYPE6*	-	1	-	-	-	-	-----	
	86202-KYJ-E20ZE	MARK, L. WING (90MM)								
		TYPE2	-	-	1	-	-	1	-----	IN,KO,MA,U
	86202-KYJ-E20ZF	*TYPE1*	-	-	1	-	-	1	-----	IN,U
	86172-KPP-T00ZC	MARK, L. WING								
		TYPE5	-	-	-	1	-	-	-----	IN,MA,U
	86172-KPP-T00ZA	*TYPE1*	-	-	-	1	-	-	-----	MA
	86202-KYJ-E20ZA	MARK, L. WING (90MM)								
		TYPE6	-	-	-	-	-	1	-----	MA



KYJ8F5000A

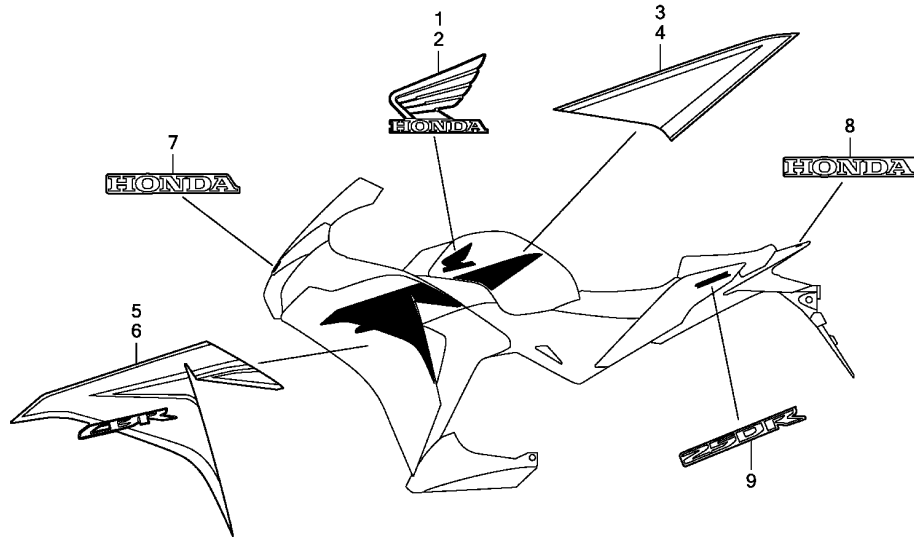
3

Ref. No.	Part No.	Description	Reqd. QTY						Serial No.	Parts catalogue code
			CBR250R			CBR250RA				
			B	C	D	B	C	D		
3	86611-KYJ-910ZA	MARK, ABS								
		TYPE1	-	-	-	2	2	-		
	86611-KYJ-E20ZD	*TYPE1*	-	-	-	-	-	2	-----	IN,MA,U
	86611-KYJ-E20ZB	*TYPE3*	-	-	-	-	-	2	-----	IN,U
4	86641-KYJ-900ZA	MARK(CBR250R)								
		TYPE2	2	2	-	2	2	-	-----	2U,IN,KO,MA
	86641-KYJ-900ZC	*TYPE3*	2	2	-	-	-	-	-----	IN,KO,MA
	86641-KYJ-900ZB	*TYPE1*	2	2	-	-	-	-	-----	IN,KO,MA,U
	86641-KYJ-E20ZB	*TYPE2*	-	-	2	-	-	2	-----	IN,KO,MA,U
	86641-KYJ-E20ZC	*TYPE1*	-	-	2	-	-	2	-----	IN,U
	86641-KYJ-900ZC	*TYPE3*	-	-	-	2	-	-	-----	IN,MA
	86641-KYJ-900ZB	*TYPE1*	-	-	-	2	-	-	-----	IN,MA,U
	86641-KYJ-900ZD	*TYPE4*	-	-	-	2	-	-	-----	MA
	86641-KYJ-E20ZA	*TYPE3*	-	-	-	-	-	2	-----	MA
5	86645-KYJ-900ZA	MARK, HONDA(80MM)								
		TYPE2	1	1	-	1	1	-	-----	2U,IN,KO,MA
	86645-KYJ-900ZC	*TYPE3*	1	1	-	-	-	-	-----	IN,KO,MA
	86645-KYJ-900ZB	*TYPE1*	1	1	-	-	-	-	-----	IN,KO,MA,U
	86101-KYJ-E20ZD	*TYPE2*	-	-	1	-	-	1	-----	IN,KO,MA,U
	86101-KYJ-E20ZE	*TYPE1*	-	-	1	-	-	1	-----	IN,U
	86645-KYJ-900ZC	*TYPE3*	-	-	-	1	-	-	-----	IN,MA
	86645-KYJ-900ZB	*TYPE1*	-	-	-	1	-	-	-----	IN,MA,U
	86645-KYJ-900ZE	*TYPE5*	-	-	-	1	-	-	-----	MA
	86101-KYJ-E20ZA	*TYPE5*	-	-	-	-	-	1	-----	MA
6	86831-KPP-T00ZA	MARK, HONDA								
		TYPE1	1	1	1	1	1	1	-----	2U,IN,KO,MA,U

F-50-1

MARK/STRIPE(2)

M 6



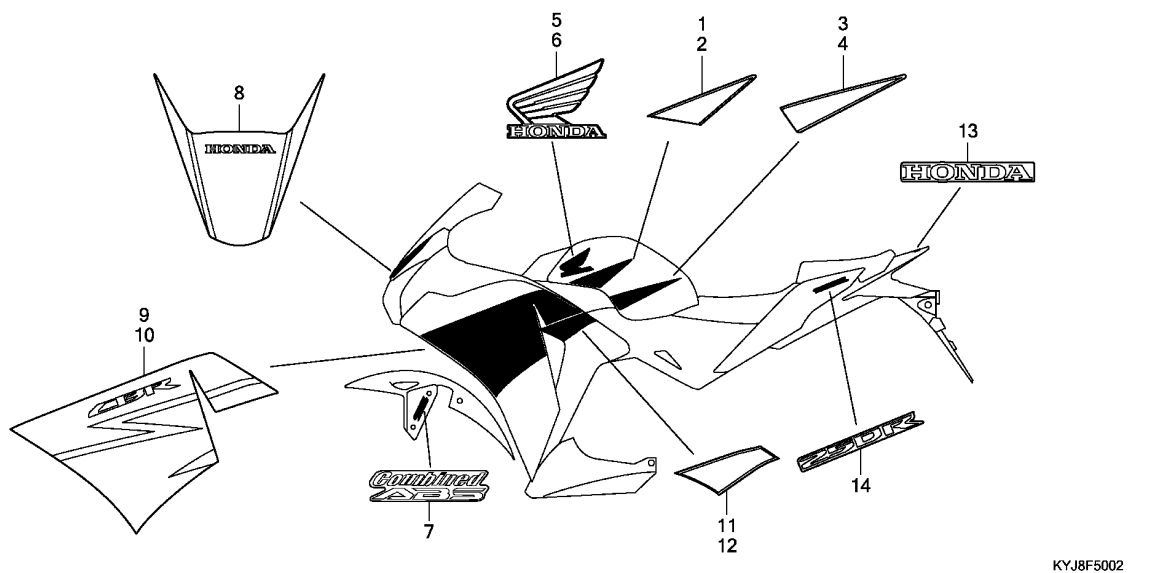
KYJ8F5001A

Ref. No.	L.O.N.	(Relative ref. Number) Description	F.R.T.
----------	--------	------------------------------------	--------

NO INFORMATION

Ref. No.	Part No.	Description	Reqd. QTY						Serial No.	Parts catalogue code
			CBR250R			CBR250RA				
			B	C	D	B	C	D		
1	86171-KPP-T00ZB	MARK, R. WING *TYPE4*	1	-	-	-	-	-	-	3U
2	86172-KPP-T00ZB	MARK, L. WING *TYPE4*	1	-	-	-	-	-	-	3U
3	86173-KYJ-960ZA	STRIPE, R. FUEL TANK *TYPE1*	1	-	-	-	-	-	-	3U
4	86174-KYJ-960ZA	STRIPE, L. FUEL TANK *TYPE1*	1	-	-	-	-	-	-	3U
5	86643-KYJ-960ZA	STRIPE, R. MIDDLE COWL *TYPE1*	1	-	-	-	-	-	-	3U
6	86644-KYJ-960ZA	STRIPE, L. MIDDLE COWL *TYPE1*	1	-	-	-	-	-	-	3U
7	86645-KYJ-900ZD	MARK, HONDA(80MM) *TYPE4*	1	-	-	-	-	-	-	3U
8	86831-KPP-T00ZA	MARK, HONDA *TYPE1*	1	-	-	-	-	-	-	3U
9	86832-KYJ-960ZA	MARK(250R) *TYPE1*	2	-	-	-	-	-	-	3U

3

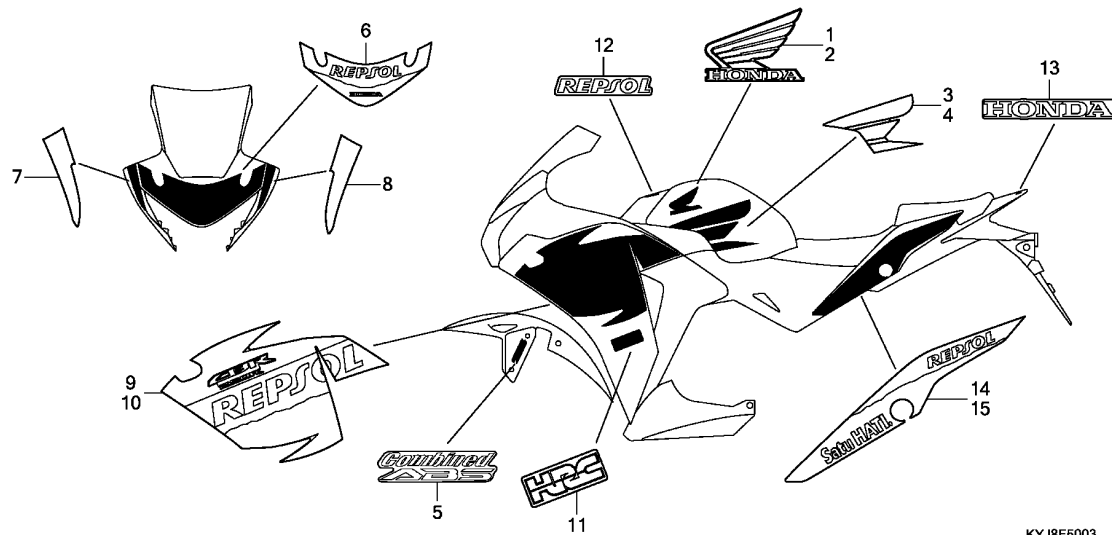


KYJ8F5002

Ref. L.O.N. (Relative ref. Number) F.R.T.
No. Description

NO INFORMATION

Ref. No.	Part No.	Description	Reqd. QTY				Serial No.	Parts catalogue code	
			CBR250R		CBR250RA				
			B	C	D	B	C	D	
1	86171-KYJ-K20ZA	STRIPE A, R. FUEL TANK *TYPE1*	-	-	1	-	-	1	----- 3IN,3K0,3MA,3U
2	86172-KYJ-K20ZA	STRIPE A, L. FUEL TANK *TYPE1*	-	-	1	-	-	1	----- 3IN,3K0,3MA,3U
3	86173-KYJ-K20ZA	STRIPE B, R. FUEL TANK *TYPE1*	-	-	1	-	-	1	----- 3IN,3K0,3MA,3U
4	86174-KYJ-K20ZA	STRIPE B, L. FUEL TANK *TYPE1*	-	-	1	-	-	1	----- 3IN,3K0,3MA,3U
5	86201-KYJ-E20ZD	MARK, R. WING(90MM) *TYPE3*	-	-	1	-	-	1	----- 3IN,3K0,3MA,3U
6	86202-KYJ-E20ZD	MARK, L. WING(90MM) *TYPE3*	-	-	1	-	-	1	----- 3IN,3K0,3MA,3U
7	86611-KYJ-E20ZC	MARK, ABS *TYPE2*	-	-	-	-	-	2	----- 3IN,3MA,3U
8	86640-KYJ-K20ZA	STRIPE, FR. UPPER COWL *TYPE1*	-	-	1	-	-	1	----- 3IN,3K0,3MA,3U
9	86642-KYJ-K20ZA	STRIPE, R. MIDDLE COWL *TYPE1*	-	-	1	-	-	1	----- 3IN,3K0,3MA,3U
10	86643-KYJ-K20ZA	STRIPE, L. MIDDLE COWL *TYPE1*	-	-	1	-	-	1	----- 3IN,3K0,3MA,3U
11	86648-KYJ-K20ZA	STRIPE, R. MIDDLE PANEL *TYPE1*	-	-	1	-	-	1	----- 3IN,3K0,3MA,3U
12	86649-KYJ-K20ZA	STRIPE, L. MIDDLE PANEL *TYPE1*	-	-	1	-	-	1	----- 3IN,3K0,3MA,3U
13	86831-KPP-T00ZA	MARK, HONDA *TYPE1*	-	-	1	-	-	1	----- 3IN,3K0,3MA,3U
14	86832-KYJ-K20ZA	MARK(250R) *TYPE1*	-	-	2	-	-	2	----- 3IN,3K0,3MA,3U

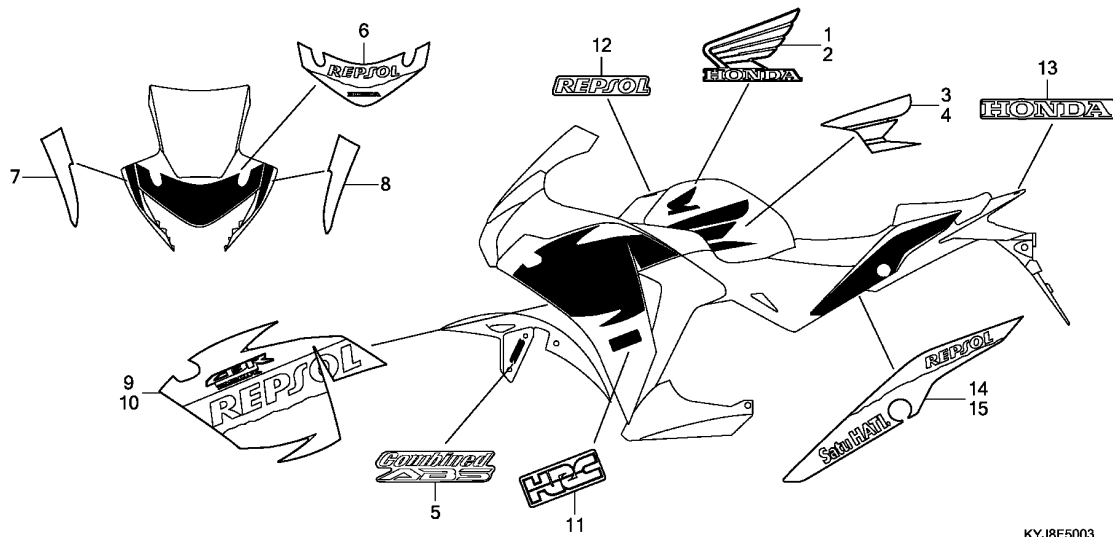


KYJ8F5003

Ref. No. L.O.N. (Relative ref. Number) Description F.R.T.

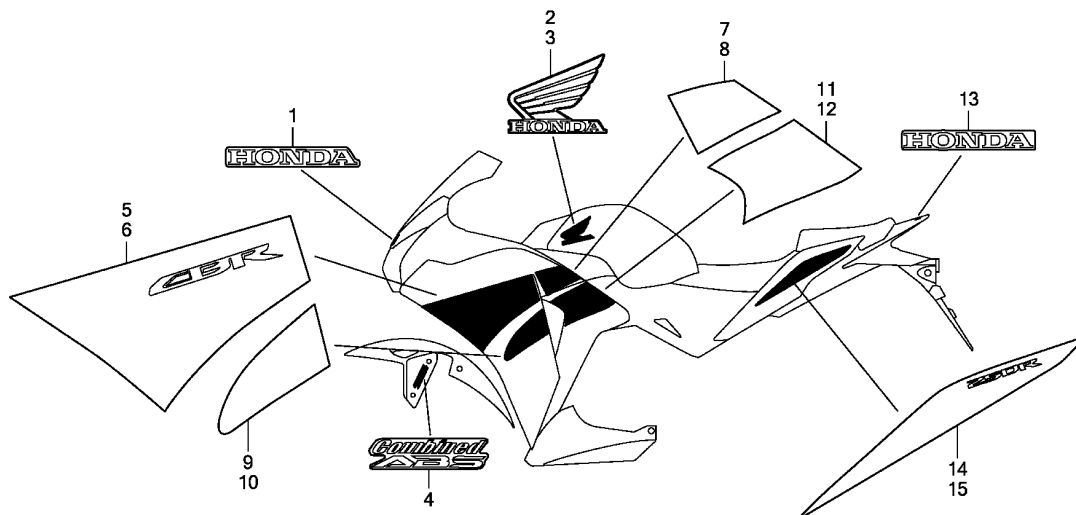
NO INFORMATION

Ref. No.	Part No.	Description	Reqd. QTY				Serial No.	Parts catalogue code	
			CBR250R			CBR250RA			
			B	C	D	B	C	D	
1	86171-KTY-D70ZA	MARK, R. WING *TYPE1*	-	-	1	-	-	1	----- 4IN,4KO,4MA,4U
2	86172-KTY-D70ZA	MARK, L. WING *TYPE1*	-	-	1	-	-	1	----- 4IN,4KO,4MA,4U
3	86173-KTY-D70ZA	STRIPE, R. FUEL TANK *TYPE1*	-	-	1	-	-	1	----- 4IN,4KO,4MA,4U
4	86174-KTY-D70ZA	STRIPE, L. FUEL TANK *TYPE1*	-	-	1	-	-	1	----- 4IN,4KO,4MA,4U
5	86611-KYJ-E20ZA	MARK, ABS *TYPE4*	-	-	-	-	-	2	----- 4IN,4KO,4MA,4U
6	86641-KYJ-M60ZA	STRIPE, FR. UPPER COWL *TYPE1*	-	-	1	-	-	1	----- 4IN,4KO,4MA,4U
7	86643-KTY-D70ZA	STRIPE, R. FR. SIDE COWL *TYPE1*	-	-	1	-	-	1	----- 4IN,4KO,4MA,4U
8	86644-KTY-D70ZA	STRIPE, L. FR. SIDE COWL *TYPE1*	-	-	1	-	-	1	----- 4IN,4KO,4MA,4U
9	86647-KYJ-M60ZA	STRIPE, R. MIDDLE COWL *TYPE1*	-	-	1	-	-	1	----- 4IN,4KO,4MA,4U
10	86648-KYJ-M60ZA	STRIPE, L. MIDDLE COWL *TYPE1*	-	-	1	-	-	1	----- 4IN,4KO,4MA,4U
11	86649-KTY-D70ZA	MARK, HRC (130MM) *TYPE1*	-	-	2	-	-	2	----- 4IN,4KO,4MA,4U
12	86650-KTY-D70ZA	MARK, REPSOL *TYPE1*	-	-	1	-	-	1	----- 4IN,4KO,4MA,4U
13	86831-KPP-T00ZA	MARK, HONDA *TYPE1*	-	-	1	-	-	1	----- 4IN,4KO,4MA,4U



KYJ8F5003

Ref. No.	Part No.	Description	Reqd. QTY						Serial No.	Parts catalogue code
			CBR250R			CBR250RA				
			B	C	D	B	C	D		
14	86832-KTY-D70ZA	STRIPE, R. RR. COVER *TYPE1*	-	-	1	-	-	1	-----	4IN,4KO,4MA,4U
15	86833-KTY-D70ZA	STRIPE, L. RR. COVER *TYPE1*	-	-	1	-	-	1	-----	4IN,4KO,4MA,4U



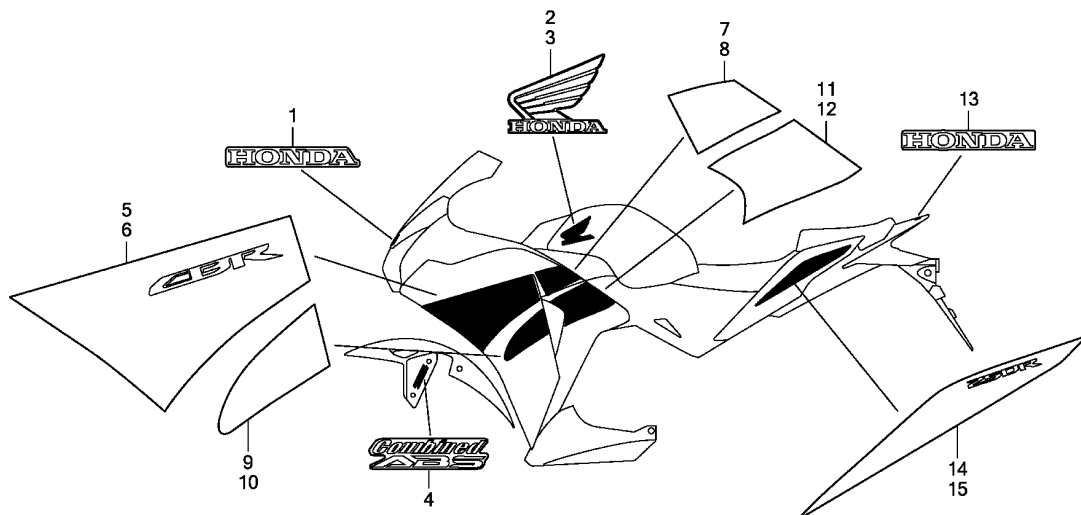
KYJ8F5004

Ref. No. L.O.N. (Relative ref. Number) Description F.R.T.

NO INFORMATION

Ref. No.	Part No.	Description	Reqd. QTY						Serial No.	Parts catalogue code
			CBR250R			CBR250RA				
			B	C	D	B	C	D		
1	86101-KYJ-E20ZC	MARK, HONDA(80MM) *TYPE3*	-	-	1	-	-	1	-----	5MA,5U
2	86201-KYJ-E20ZC	MARK, R. WING(90MM) *TYPE4*	-	-	1	-	-	1	-----	5MA,5U
3	86202-KYJ-E20ZC	MARK, L. WING(90MM) *TYPE4*	-	-	1	-	-	1	-----	5MA,5U
4	86611-KYJ-E20ZC	MARK, ABS *TYPE2*	-	-	-	-	-	2	-----	5MA,5U
5	86642-KYJ-L40ZA	STRIPE A, R. MIDDLE COWL *TYPE1*	-	-	1	-	-	1	-----	5MA,5U
6	86643-KYJ-L40ZA	STRIPE A, L. MIDDLE COWL *TYPE1*	-	-	1	-	-	1	-----	5MA,5U
7	86644-KYJ-L40ZA	STRIPE B, R. MIDDLE COWL *TYPE1*	-	-	1	-	-	1	-----	5MA,5U
8	86645-KYJ-L40ZA	STRIPE B, L. MIDDLE COWL *TYPE1*	-	-	1	-	-	1	-----	5MA,5U
9	86646-KYJ-L40ZA	STRIPE C, R. MIDDLE COWL *TYPE1*	-	-	1	-	-	1	-----	5MA,5U
10	86647-KYJ-L40ZA	STRIPE C, L. MIDDLE COWL *TYPE1*	-	-	1	-	-	1	-----	5MA,5U
11	86648-KYJ-L40ZA	STRIPE, R. MIDDLE PANEL *TYPE1*	-	-	1	-	-	1	-----	5MA,5U
12	86649-KYJ-L40ZA	STRIPE, L. MIDDLE PANEL *TYPE1*	-	-	1	-	-	1	-----	5MA,5U
13	86831-KPP-T00ZA	MARK, HONDA *TYPE1*	-	-	1	-	-	1	-----	5MA,5U

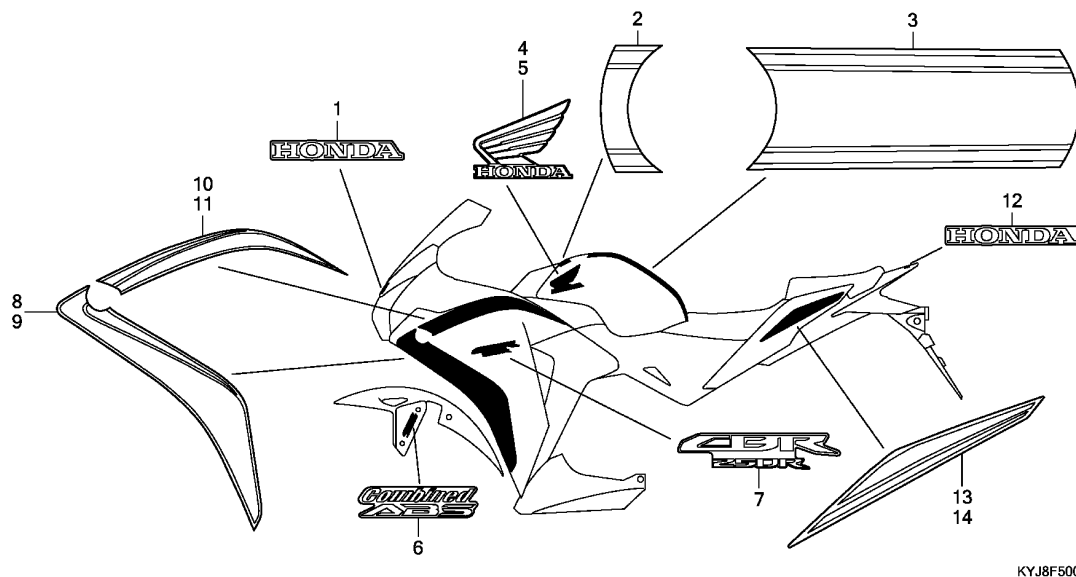




KYJ8F5004

3

Ref. No.	Part No.	Description	Reqd. QTY						Serial No.	Parts catalogue code
			CBR250R			CBR250RA				
			B	C	D	B	C	D		
14	86833-KYJ-L40ZA	STRIPE, R. RR. COVER *TYPE1*	-	-	1	-	-	1	-----	5MA,5U
15	86834-KYJ-L40ZA	STRIPE, L. RR. COVER *TYPE1*	-	-	1	-	-	1	-----	5MA,5U



Ref. No. L.O.N. (Relative ref. Number) Description F.R.T.

NO INFORMATION

KYJ8F5005

Ref. No.	Part No.	Description	Reqd. QTY				Serial No.	Parts catalogue code	
			CBR250R			CBR250RA			
			B	C	D	B	C	D	
1	86101-KYJ-E20ZB	MARK, HONDA(80MM) *TYPE4*	-	-	1	-	-	1	----- 6U
2	86171-KYJ-L50ZA	STRIPE A, FUEL TANK *TYPE1*	-	-	1	-	-	1	----- 6U
3	86172-KYJ-L50ZA	STRIPE B, FUEL TANK *TYPE1*	-	-	1	-	-	1	----- 6U
4	86201-KYJ-E20ZB	MARK, R. WING(90MM) *TYPE5*	-	-	1	-	-	1	----- 6U
5	86202-KYJ-E20ZB	MARK, L. WING(90MM) *TYPE5*	-	-	1	-	-	1	----- 6U
6	86611-KYJ-E20ZB	MARK, ABS *TYPE3*	-	-	-	-	-	2	----- 6U
7	86641-KYJ-L50ZA	MARK(CBR250R) *TYPE1*	-	-	2	-	-	2	----- 6U
8	86642-KYJ-L50ZA	STRIPE A, R. MIDDLE COWL *TYPE1*	-	-	1	-	-	1	----- 6U
9	86643-KYJ-L50ZA	STRIPE A, L. MIDDLE COWL *TYPE1*	-	-	1	-	-	1	----- 6U
10	86644-KYJ-L50ZA	STRIPE B, R. MIDDLE COWL *TYPE1*	-	-	1	-	-	1	----- 6U
11	86645-KYJ-L50ZA	STRIPE B, L. MIDDLE COWL *TYPE1*	-	-	1	-	-	1	----- 6U
12	86831-KPP-T00ZA	MARK, HONDA *TYPE1*	-	-	1	-	-	1	----- 6U
13	86833-KYJ-L50ZA	STRIPE, R. RR. COVER *TYPE1*	-	-	1	-	-	1	----- 6U
14	86834-KYJ-L50ZA	STRIPE, L. RR. COVER *TYPE1*	-	-	1	-	-	1	----- 6U



PART NO. INDEX



Part Number	Address	Page	Ref.	Part Number	Address	Page	Ref.	Part Number	Address	Page	Ref.	Part Number	Address	Page	Ref.
19111-KYJ-900	L7	152	13	24321-KYJ-900	H7	94	5	32100-KYJ-970	L4	149	6	35152-KRY-970	I3	100	5
19120-KYJ-900	G9	80	10	24410-KYJ-900	H7	94	6	32401-KYJ-900	L1	146	2	35160-KPP-T01	L2	147	9
19125-KYJ-900	L7	152	14	24430-KGH-901	H7	94	7	32401-KYJ-901	L1	146	2		L4	149	9
19215-KGH-900	G9	80	11	24435-KYJ-900	H7	94	8	32406-KAZ-000	L1	146	3	35162-MGC-003	L2	147	10
19217-P72-013	G9	80	12	24610-KYJ-900	H7	94	9	32406-KAZ-010	L1	146	3		L4	149	10
19220-KYJ-900	G9	80	13	24651-KRM-840	H7	94	10	32410-KYJ-900	G15	86	12	35163-MGC-003	L2	147	11
19226-KYJ-901	G9	80	14	24652-KSP-910	H7	94	11	32601-KYJ-900	G15	86	13		L4	149	11
	H10	97	1	24710-KYJ-000	K7	136	1	32606-GEV-761	L2	147	7	35200-KYJ-901	I3	100	6
19241-KYJ-900	G9	80	15	24720-KYJ-000	K7	136	2		L4	149	7	35200-KYJ-902	I3	100	6
19300-KGF-911	G2	73	8	24724-MBW-D21	K7	136	3	32800-KYJ-900	L6	151	2	35330-KYJ-901	I3	100	7
19321-KYJ-900	G2	73	9	24781-KR3-770	K7	136	4					35340-MM5-600	I5	102	1
19517-ML7-691	L7	152	15					33000					I7	104	2
				22000				33110-KYJ-881	I1	98	1	35350-KYJ-901	K7	136	5
								33112-KWR-003	I1	98	2	35357-HPO-A00	K7	136	6
								33115-KVK-900	K5	134	5	35505-KPP-T01	I2	99	1
22100-KYJ-903	G11	82	1	28110-KYJ-900	G12	83	1	33116-KPP-T01	I1	98	3	35600-425-023	H1	88	6
22116-KYJ-900	G11	82	2	28125-KYJ-901	G12	83	2	33150-KYJ-901	I1	98	4	35700-KYJ-961	K10	139	1
22121-KYJ-902	G11	82	3	28130-KYJ-900	G12	83	3	33301-KYJ-901	K14	143	1	35850-MR5-007	L1	146	4
22201-KYJ-902	G11	82	4	28132-MK5-000	G12	83	4	33400-KYJ-901	K15	144	1	35856-MBG-003	L1	146	5
22321-KYJ-902	G11	82	5					33402-KWF-901	K15	144	2				
22350-KYJ-902	G11	82	6	30000				33406-KWF-901	K15	144	3	36000			
22401-KYJ-902	G11	82	7					33450-KYJ-901	K15	144	4	36043-657-000	L2	147	12
22810-KYJ-900	G9	80	16	30510-KYJ-901	L2	147	1	33452-KWF-901	K15	144	5		L4	149	12
22815-KM7-700	G9	80	17	30520-GFM-900	L2	147	2	33600-KYJ-901	K15	144	6	36450-KVK-901	K5	134	6
22821-KYJ-900	G9	80	18	30700-KY2-701	L2	147	3	33650-KYJ-901	K15	144	7	36532-KYJ-901	G2	73	11
22847-KYJ-900	G11	82	8	30700-KY2-702	L2	147	3	33703-KPP-T01	K16	145	1	36533-KYJ-900	G2	73	12
22870-KYJ-900	I3	100	3					33703-KPP-T02	K16	145	1	41201-KYJ-900	J10	123	2
				23000				33705-KW7-900	J15	128	1				
								33710-KPP-T01	K16	145	2	42000			
								33714-KL3-620	L2	147	8	42301-KYJ-900	J10	123	3
23121-KYJ-900	H3	90	8	31000				33720-KYJ-901	K14	143	2	42312-KYJ-900	J10	123	4
23211-KYJ-900	H5	92	1					33723-KYJ-901	K14	143	3	42313-KYJ-900	J10	123	5
23212-KYJ-900	H5	92	2	31110-KYJ-901	G14	85	1	33728-KPP-T00	K14	143	4	42515-KYJ-910	J10	123	6
23221-KYJ-900	H5	92	3	31120-KYJ-901	G14	85	2	33729-KSP-B01	K14	143	24	42615-KYJ-900ZA	J10	123	7
23411-KYJ-900	H5	92	4	31200-KYJ-902	G15	86	1	33731-MJO-940	K14	143	5	42615-KYJ-900ZC	J10	123	7
23412-KYJ-900	H5	92	5	31201-MEW-921	G15	86	2	33741-KPL-901	K14	143	6	42620-KYJ-900	J10	123	8
23421-KYJ-900	H5	92	6	31202-MEW-921	G15	86	3	33741-KPL-902	K14	143	6	42625-MC4-000	J10	123	9
23431-KYJ-900	H5	92	7	31203-MEW-921	G15	86	4	33741-KTG-U01	I14	111	1	42650-KYJ-900ZA	J10	123	10
23432-KYJ-900	H5	92	8	31204-MEW-921	G15	86	5	33941-KPP-T00	K15	144	8	42650-KYJ-900ZC	J10	123	10
23441-KYJ-900	H5	92	9	31205-HP5-601	G15	86	6	33942-KPP-T00	K15	144	9	42650-KYJ-900ZD	J10	123	10
23451-KYJ-900	H5	92	10	31206-MEW-921	G15	86	7					42704-MER-D00	J4	117	1
23452-KYJ-900	H5	92	11	31207-HP5-601	G15	86	8	34000				42705-MER-D00	J4	117	1
23471-KYJ-900	H5	92	12	31208-MEW-921	G15	86	9	34901-KWR-003	I1	98	5	38110-KYJ-901	L2	147	13
23472-KYJ-900	H5	92	13	31209-MEW-921	G15	86	10	34905-KYJ-901	K15	144	10		L4	149	13
23481-KYJ-900	H5	92	14	31210-MEW-921	G15	86	11	34906-447-711	K16	145	3	38117-KFE-701	L2	147	14
23482-KYJ-900	H5	92	15	31500-KW3-677	L1	146	1	34907-KPP-T01	K16	145	3		L4	149	14
23491-KYJ-900	H5	92	16	31500-KYJ-781	L1	146	1	34908-SB6-003	I1	98	6	38301-KTF-671	L2	147	15
23501-KYJ-900	H5	92	17	31500-KYJ-981	L1	146	1						L4	149	15
23502-KYJ-900	H5	92	18	31600-KVK-901	L2	147	4	35000				38306-GE7-000	L2	147	16
23511-KYJ-900	H5	92	19										L4	149	16
23801-KYJ-900	H5	92	20	31730-MAS-601	L2	147	5	35010-KYJ-900	I11	108	1	38501-KVZ-631	L2	147	17
23802-KYJ-900	H5	92	21					35100-KYJ-901	I11	108	2		L4	149	17
				31916-MEH-003	G2	73	10	35101-KYJ-901	I11	108	3	38501-KWN-901	L2	147	17
								35121-MAS-601	I12	109	23		L4	149	17
24000				32000				35130-KYJ-902	I3	100	4	38510-KYJ-911	J9	122	3
								35150-KYJ-972	I3	100	4	38516-KYJ-910	J7	120	1
24211-KYJ-900	H7	94	1												
24212-KYJ-900	H7	94	2	32100-KYJ-780	L2	147	6								
24213-KYJ-900	H7	94	3	32100-KYJ-790	L2	147	6					43107-KT7-761	J9	122	5
24301-KYJ-900	H7	94	4	32100-KYJ-960	L4	149	6					43108-MBB-006	J9	122	6



PART NO. INDEX

N 5

Part Number	Address	Page	Ref.	Part Number	Address	Page	Ref.	Part Number	Address	Page	Ref.	Part Number	Address	Page	Ref.
86611-KYJ-E20ZB M12		173	6	87000				90130-KPP-T00	L10	155	20	90410-GCC-000	G2	73	18
86611-KYJ-E20ZC M7		168	7						L13	158	20	90418-KYJ-900	G2	73	19
	M10	171	4						I15	112	10	90423-KW6-900	G9	80	23
86611-KYJ-E20ZD M5		166	3	87125-GB0-900	M2	163	1	90130-KYJ-900	H1	88	11	90433-MEY-670	H4	91	4
86640-KYJ-K20ZA M7		168	8	87505-KYJ-920	M2	163	2	90131-883-000	J2	115	15	90434-KPS-900	G11	82	13
86641-KYJ-900ZA M5		166	4	87505-KYJ-960	M2	163	10	90131-KBV-003	J5	116	19		H3	90	10
86641-KYJ-900ZB M5		166	4		M3	164	2	90014-KYJ-900	J4	117	11	90435-HB3-000	H7	94	14
86641-KYJ-900ZC M5		166	4	87505-KYJ-970	M2	163	2	90015-KYJ-900	I15	112	11	90443-KR0-000	H1	88	12
86641-KYJ-900ZD M5		166	4	87505-KYJ-980	M2	163	2	90016-KYJ-900	J11	124	18		H10	97	1
86641-KYJ-E20ZA M5		166	4	87507-KYJ-960	M2	163	11	90017-KYJ-900	K1	130	13	90443-KTM-970	L10	155	27
86641-KYJ-E20ZB M5		166	4		M3	164	3	90018-KYJ-900	K7	136	10		L14	159	32
86641-KYJ-E20ZC M5		166	4	87507-KYJ-970	M2	163	3	90019-KYJ-900	L10	155	21	90451-KYJ-900	H6	93	27
86641-KYJ-L50ZA M12		173	7	87507-KYJ-980	M2	163	3	90022-KYJ-900	L13	158	21	90452-KYJ-900	H6	93	28
86641-KYJ-M60ZA M8		169	6	87507-MZ8-W00	M2	163	3	90022-MG8-000	L16	161	12	90453-KYJ-900	H6	93	29
86642-KYJ-K20ZA M7		168	9	87508-KYJ-970	M2	163	4	90023-KYJ-900	K10	139	5	90454-KPS-900	H6	93	30
86642-KYJ-L40ZA M10		171	5	87508-KYJ-980	M2	163	4	90032-KYJ-900	K1	130	14	90454-KYJ-900	H6	93	31
86642-KYJ-L50ZA M12		173	8	87508-MN8-670	M2	163	4	90050-KYJ-902	K15	144	11	90454-MC7-000	G2	73	20
86643-KTY-D70ZA M8		169	7		M3	164	4	90061-KYJ-900	L10	155	22	90455-KYJ-900	H6	93	32
86643-KYJ-E20ZA M5		166	5	87509-KWP-900	M2	163	5	90071-MB0-000	L13	158	22	90457-KRM-840	H7	94	15
86643-KYJ-L40ZA M10		171	6	87509-KWW-A40	M2	163	5	90084-041-000	I5	102	17	90463-ML7-000	G9	80	24
86643-KYJ-K20ZA M7		168	10	87512-KYJ-960	M3	164	5	90084-KPP-860	J8	105	23	90485-286-000	I15	112	13
86643-KYJ-L40ZA M10		171	6	87522-MAB-600	M2	163	6	90087-KPP-860	I5	118	18	90503-KGA-900	I11	108	18
86643-KYJ-L50ZA M12		173	9	87523-KPP-980	M2	163	7	90101-KBS-900	J7	120	20	90506-425-830	I13	110	6
86644-KTY-D70ZA M8		169	8	87560-KTT-950	M2	163	8	90101-KYJ-900	K14	143	15	90543-MV9-670	G1	72	8
86644-KYJ-960ZA M6		167	6	87560-KVB-930	M2	163	8	90102-KYJ-901	K13	142	11		H9	96	1
86644-KYJ-L40ZA M10		171	7	87560-MBR-871	M2	163	8	90102-KYJ-901	K13	142	12	90544-283-000	I16	113	21
86644-KYJ-L50ZA M12		173	10	87586-KPP-600	M2	163	9	90103-KYJ-901	K14	143	16	90545-300-000	I5	102	18
86645-KYJ-900ZA M5		166	5	87586-KVB-930	M2	163	9	90104-KPP-900	J7	120	19		I8	105	24
86645-KYJ-900ZB M5		166	5	87586-MGN-D00	M3	164	6	90104-KYJ-900	K13	142	10		J5	118	19
86645-KYJ-900ZC M5		166	5					90105-KGH-900	J11	124	16		J8	121	21
86645-KYJ-900ZD M6		167	7	88000				90105-KYJ-900	K7	136	9		K7	136	12
86645-KYJ-900ZE M5		166	5					90106-KGH-600	J4	117	10	90557-230-000	K7	136	12
86645-KYJ-L40ZA M10		171	8	88110-KPP-T01	L10	155	16	90107-GN1-010	K10	139	3	90559-KYJ-900	J11	124	21
86645-KYJ-L50ZA M12		173	11		L13	158	16	90107-MBG-000	I11	108	15	90601-KYJ-900	H6	93	33
86646-KYJ-L40ZA M10		171	9	88120-KPP-T01	L10	155	17	90108-KPP-860	K10	139	4	90602-KYJ-900	H6	93	34
86647-KYJ-L40ZA M10		171	10		L13	158	17	90108-MK6-670	K10	139	4	90602-ME7-003	J1	114	22
86647-KYJ-M60ZA M8		169	9	88201-KPP-T00	L10	155	18	90109-MR7-000	I16	113	19	90646-657-000	K3	132	20
86648-KYJ-K20ZA M7		168	11		L13	158	18	90111-162-000	K14	143	12	90651-KV6-003	I3	100	18
86648-KYJ-L40ZA M10		171	11						L7	152	18		L3	148	28
86648-KYJ-M60ZA M8		169	10	89000				90111-187-000	K14	143	13		L5	150	30
86649-KTY-D70ZA M8		169	11					90111-KYJ-900	L6	151	8	90651-KYJ-900	J13	126	20
86649-KYJ-K20ZA M7		168	12	89101-MC7-000	M1	162	3	90111-MR5-000	L1	146	8	90651-MA5-671	I5	102	19
86649-KYJ-L40ZA M10		171	12	89102-538-000	M1	162	4	90113-438-000	I3	100	16		I8	105	25
86650-KTY-D70ZA M8		169	12	89103-538-000	M1	162	5	90113-KTA-920	K6	135	12	90662-MCA-971	I10	107	12
86831-KPP-T00ZA M5		166	6	89202-KY1-700	M1	162	6	90113-KYJ-900	L6	151	9	90664-MCA-003	I10	107	13
	M6	167	8	89211-KWW-601	M1	162	7	90114-166-006	I5	102	16	90666-SDA-A01	L10	155	23
	M7	168	13	89213-KWW-601	M1	162	8		I8	105	22		L13	158	23
	M8	169	13	89216-KYJ-900	M1	162	9	90114-GFM-970	I8	105	21		L16	161	13
	M10	171	13	89216-MAT-000	M1	162	9	90114-KGH-900	I5	102	16	90677-KAN-T00	I9	106	9
	M12	173	12	89217-KGH-900	M1	162	10	90114-KYJ-900	L6	151	10		L10	155	24
86832-KTY-D70ZA M9		170	14	89219-KWW-601	M1	162	11	90115-KPP-860	L16	161	11		L13	158	24
86832-KYJ-960ZA M6		167	9	89221-429-000	M1	162	12	90115-KW7-900	I9	106	8		L16	161	14
86832-KYJ-K20ZA M7		168	14					90115-MV9-000	K8	137	18	90683-GAZ-003	K2	131	16
86833-KTY-D70ZA M9		170	15	90000				90116-KV3-701	I16	113	20	90702-KFM-900	G10	81	25
86833-KYJ-L40ZA M11		172	14					90116-KWT-900	L10	155	19		G16	87	6
86833-KYJ-L50ZA M12		173	13	90002-KGH-900	G1	72	6		L13	158	19	90741-KFB-000	H4	91	5
86834-KYJ-L40ZA M11		172	15	90003-KVS-900	H7	94	12	90116-SP0-003	K14	143	14	90742-KYJ-900	H3	90	11
86834-KYJ-L50ZA M12		173	14	90005-KYJ-900	G7	78	8	90120-KCR-003	L8	153	19	90852-KPP-T00	K14	143	19
				90010-KYJ-900	G9	80	19	90127-KYJ-900	K8	137	19				
				90011-KYJ-900	G2	73	14	90128-KYJ-900	J11	124	17				

PART NO. INDEX

N 6

Part Number	Address	Page	Ref.	Part Number	Address	Page	Ref.	Part Number	Address	Page	Ref.	Part Number	Address	Page	Ref.
91000				92000								98000			
91003-KYJ-901	H6	93	35	92101-06020-4J	L3	148	22	94101-06000	L6	151	11	95701-06020-07	L5	150	27
91005-KYJ-901	H6	93	36		L5	150	23	94102-08000	K8	137	22		18	105	29
91008-KYJ-901	H4	91	6	92501-08008-0A	K8	137	20		I12	109	24	95701-06020-08	K7	136	16
91009-KYJ-901	G10	81	26	92900-08022-3E	G2	73	21	94103-05700	K8	137	23		K2	131	19
91012-KYJ-901	G11	82	14					94103-06700	I2	99	11	95701-06022-00	K4	133	25
91015-KT8-005	I13	110	7	93000				94103-06800	K7	136	14	95701-06022-07	I9	106	11
91015-MCA-003	H7	94	16					94103-08000	K8	137	24	95701-06025-00	L8	153	26
91016-KT8-005	I13	110	8	93401-06014-00	J13	126	26	94109-12000	J13	126	22	95701-06025-00	G15	86	18
91053-719-005	G10	81	27	93500-05010-1H	H8	95	18		H1	88	14	95701-06040-07	I9	106	12
91059-KY2-711	I11	108	19	93600-04012-1G	I5	102	20	94201-16150	H10	97	1	95701-06045-00	G16	87	8
91071-KYJ-711	K13	142	15		I8	105	26	94201-20150	K8	137	25	95701-06120-00	G2	73	24
91071-MJ0-003	K12	141	14	93892-05012-08	G15	86	17		J6	119	23	95701-08012-00	K14	143	23
91071-MY1-005	K13	142	15	93892-05012-18	H8	95	19	94301-08140	J8	121	25	95701-08016-07	L6	151	12
91072-KYJ-711	K12	141	14	93892-05020-07	I4	101	19	94301-10160	K9	138	26	95701-08020-00	J16	129	19
91101-121-691	H7	94	17	93892-05025-07	I4	101	20	94301-12160	G2	73	22	95701-08025-08	J13	126	25
91105-KSP-910	G2	73	22	93892-05035-07	I4	101	21		G1	72	9	95701-08038-02	K6	135	16
91107-KYJ-901	G12	83	5	93892-05045-07	I4	101	22		G2	73	23	95701-08045-07	I11	108	20
91203-KSP-911	H7	94	18	93893-04012-17	I6	103	21		G8	79	3	95701-08050-00	K6	135	17
91204-KK0-003	G10	81	28		I8	105	27	94302-08140	G10	81	34	95701-10035-07	I13	110	9
91205-965-003	K12	141	15		J5	118	21		G16	87	7	95801-08032-00	L10	155	26
91205-KF0-003	G10	81	29	93901-22020	J8	121	23		H1	88	15		L13	158	26
91207-KYJ-901	H6	93	37	93901-24480	L8	153	21		G10	81	35	95801-10070-00	L6	151	13
91212-422-006	J5	118	20	93901-24480	K14	143	20		G13	84	10	95801-10130-00	L6	151	14
	J8	121	22	93901-34320	I1	98	8	94510-14000	H2	89	16	96000			
91213-MB2-003	K12	141	16	93903-22480	I2	99	9	94511-15000	H7	94	19	96001-06010-07	J3	116	20
91213-MB2-006	K12	141	16	93903-24380	K2	131	17	94520-35000	K7	136	15		J9	122	19
91252-MC7-003	J4	117	13		L10	155	25	94520-37000	K12	141	19	96001-06012-07	I6	103	23
91253-443-761	J11	124	22		L13	158	25	94591-45000	H6	93	38		I8	105	30
91253-443-762	J11	124	22		L16	161	15		L16	161	16	96001-06014-07	I11	108	21
91254-KAZ-003	J1	114	23	93903-25280	K2	131	18	95000				96001-06014-07	J6	119	25
91262-KV3-831	K13	142	16		K4	133	27	95002-02100	L8	153	23	96001-06022-07	J8	121	27
91301-KYJ-901	G10	81	30		K5	134	8	95002-41200-00	K3	132	22		I4	101	25
	G16	87	5	93903-25380	K16	145	5	95002-80000	K3	132	23		I6	103	24
	H1	88	13	93903-25480	I1	98	9	95005-55350-20	L8	153	24	96001-06030-07	I8	105	31
91301-P7A-004	H8	95	17	93913-25380	K3	132	21	95005-55840-20	L8	153	25	96001-06030-07	J8	121	28
91302-317-700	J11	124	23		I2	99	10	95005-80770-20	J13	126	23	96001-06035-00	I15	112	11
91302-KYJ-901	G10	81	31	94000				95012-15001	K14	143	22	96100-60010-00	G11	82	15
	H10	97	1					95014-72102	K10	139	7	96100-60013-00	G10	81	36
91303-377-000	G13	84	8	94001-03000-0S	L8	153	22	95015-54000	J6	119	24	96100-62020-10	K12	141	20
	H10	97	1	94001-06000-0S	K7	136	13		J8	121	26	96100-63040-00	H6	93	40
91306-MG3-000	G7	78	11	94002-08000-0S	J6	119	22	95015-82000	K9	138	27	96140-62030-00	H6	93	41
	H9	96	1		J8	121	24	95018-56250	K3	132	24	96150-62030-10	J11	124	24
91307-035-000	G10	81	32		K12	141	17	95701-06010-07	K9	138	28	96150-62040-10	J11	124	25
	H10	97	1	94030-08000	I4	101	23	95701-06012-00	I9	106	10	96150-63020-10	J4	117	14
91309-425-003	G15	86	15	94031-08000	K12	141	18	95701-06012-07	K12	141	21	96150-63030-10	J11	124	26
	H10	97	1	94050-06000	I4	101	24	95701-06012-08	J13	126	24	96220-30085	H7	94	20
91320-MB0-000	G15	86	16		I6	103	22		L1	146	9	96600-06016-00	G14	85	5
91322-PT0-004	G10	81	33		I8	105	28	95701-06014-00	G7	78	12	96600-06020-00	J6	119	26
	H10	97	1		J13	126	21		H6	93	39		J8	121	29
91356-KGH-901	G13	84	9	94050-06080	K14	143	21	95701-06016-00	L3	148	24	96600-06025-08	J16	129	20
	H10	97	1		J16	129	18		L5	150	25	96600-06035-00	G14	85	6
91357-ME4-003	J1	114	24		L3	148	23	95701-06016-08	I10	107	14	96600-08020-10	G14	85	7
91509-GE2-760	L8	153	20		L5	150	24		L3	148	25	96600-08032-07	I11	108	22
91556-SP0-003	L5	150	22	94050-08000	K6	135	14		L5	150	26				
				94050-08080	K8	137	21	95701-06018-00	H2	89	17				
				94050-10000	K15	144	14	95701-06020-00	L3	148	26				



PART NAME INDEX

Part name	Address	Page	Ref.	Part name	Address	Page	Ref.	Part name	Address	Page	Ref.
[A]											
ADJUSTER COMP., CHAIN	K11	140	5	BEARING, RADIAL BALL, 6303UU ..	J11	124	26	BOLT, FLANGE, 6X20	K4	133	25
ARM COMP., EX. VALVE ROCKER ..	G4	75	5	BEARING, RADIAL BALL, 6304	H6	93	40		K7	136	16
ARM COMP., GEAR CHANGE	K7	136	1	BEARING, RADIAL BALL, 6905	H7	94	16		L3	148	26
ARM COMP., IN. VALVE ROCKER ..	G4	75	4	BODY COMP., FRAME	L6	151	3	BOLT, FLANGE, 6X22	L5	150	27
ARM SUB ASSY., CUSHION	K13	142	5	BODY SET	H8	95	8		G2	73	14
ARM, L. STEP	K8	137	6	BOLT-WASHER, 6X14	J13	126	26		G7	78	9
ARM, R. STEP	K8	137	2	BOLT-WASHER, 6X16	L8	153	19		I4	101	25
AXLE, FR. WHEEL	J4	117	3	BOLT-WASHER, 6X25	G7	78	10		I6	103	24
AXLE, RR. WHEEL	J10	123	3	BOLT A, PIN	J2	115	8		I8	105	31
					J3	116	11		I9	106	11
				BOLT COMP., FR. FORK	I16	113	15		I15	112	11
				BOLT, 6X1.0	G11	82	9		K5	134	9
				BOLT, BRAKE DISK, 6X17	J4	117	10		L8	153	26
				BOLT, BRAKE DISK, 8X24	J11	124	16	BOLT, FLANGE, 6X25	G9	80	20
				BOLT, CAP, 8X8	K8	137	20		G13	84	4
				BOLT, DRAIN PLUG, 12MM	H1	88	11		G15	86	18
				BOLT, DRAIN PLUG, 12X15	H1	88	11	BOLT, FLANGE, 6X30	G9	80	21
				BOLT, DRIVE SPROCKET FIXING ...	H5	92	22		G13	84	5
				BOLT, FLANGE, 10X103	L6	151	10		J8	121	28
				BOLT, FLANGE, 10X106	K13	142	9	BOLT, FLANGE, 6X32	G2	73	15
				BOLT, FLANGE, 10X130	L6	151	14		I8	105	21
				BOLT, FLANGE, 10X145	L6	151	9	BOLT, FLANGE, 6X35	I15	112	11
				BOLT, FLANGE, 10X146	K13	142	10	BOLT, FLANGE, 6X39.5	G2	73	16
				BOLT, FLANGE, 10X273	L6	151	8	BOLT, FLANGE, 6X40	H1	88	8
				BOLT, FLANGE, 10X35	I13	110	9		I9	106	12
				BOLT, FLANGE, 10X53	K13	142	12	BOLT, FLANGE, 6X45	G16	87	8
				BOLT, FLANGE, 10X55	K13	142	11	BOLT, FLANGE, 6X60	G9	80	22
				BOLT, FLANGE, 10X65	K13	142	8	BOLT, FLANGE, 6X70	H1	88	9
				BOLT, FLANGE, 10X70	L6	151	13	BOLT, FLANGE, 8X12	K14	143	23
				BOLT, FLANGE, 12X50	G14	85	3	BOLT, FLANGE, 8X16	L6	151	12
				BOLT, FLANGE, 5X14	G1	72	6	BOLT, FLANGE, 8X20	J16	129	19
				BOLT, FLANGE, 5X20	H8	95	2	BOLT, FLANGE, 8X25	J13	126	25
				BOLT, FLANGE, 6MM	K14	143	12	BOLT, FLANGE, 8X32	J2	115	15
									J3	116	19
					L7	152	18		L10	155	26
				BOLT, FLANGE, 6X10	J3	116	20		L13	158	26
					J9	122	19	BOLT, FLANGE, 8X38	K6	135	16
					K9	138	28	BOLT, FLANGE, 8X45	I11	108	20
				BOLT, FLANGE, 6X12	I6	103	23		I16	113	19
					I8	105	30	BOLT, FLANGE, 8X49	J9	122	18
					I9	106	10	BOLT, FLANGE, 8X50	K6	135	17
					I11	108	21	BOLT, HANDLE LEVER PIVOT	I5	102	16
					J13	126	24		I8	105	22
				BOLT, FLANGE, 6X120	G2	73	24	BOLT, HEAD COVER	G1	72	7
				BOLT, FLANGE, 6X14	G7	78	12	BOLT, HEX., 5X8	J11	124	18
					H6	93	39	BOLT, HEX., 6X20	H7	94	12
					J6	119	25		L3	148	22
					J8	121	27		L5	150	23
				BOLT, FLANGE, 6X16	G9	80	19	BOLT, L. STEERING HANDLE LEVER			
					I10	107	14	PIVOT	I3	100	16
					L3	148	24	BOLT, MAIN STEP RUBBER SETTING	K8	137	18
					L5	150	25	BOLT, OIL, 10X22	I5	102	17
									I8	105	23
									J5	118	18
									J7	120	20
				BOLT, FLANGE, 6X18	H2	89	17	BOLT, ONE-WAY, 8MM	I11	108	15
				BOLT, FLANGE, 6X20	I8	105	29	BOLT, PIN	J9	122	16
					K2	131	19	BOLT, SEALING, 12MM	G2	73	4
								BOLT, SEALING, 16MM	H1	88	2

PART NAME INDEX

Part name	Address	Page	Ref.	Part name	Address	Page	Ref.	Part name	Address	Page	Ref.
BOLT, SETTING	G15	86	6	CABLE, SEAT LOCK	J15	128	14	CLAMP, BRAKE PIPE	I10	107	13
BOLT, SIDE STAND PIVOT	K10	139	4	CABLE, STARTER MAGNETIC				CLAMP, CORD	I1	98	3
BOLT, SOCKET, 5X9	L1	146	8	BATTERY	L1	146	2	CLAMP, HOSE, 22-29MM	L7	152	15
BOLT, SOCKET, 6X13	L10	155	20	CABLE, STARTER MOTOR	G15	86	12	CLAMP, MASTER CYLINDER OIL			
	L13	158	20	CALIPER SUB ASSY., RR.	J9	122	10	HOSE	J5	118	8
BOLT, SOCKET, 6X16	G14	85	5	CALIPER SUB ASSY., R. FR.	J2	115	13		J7	120	10
BOLT, SOCKET, 6X20	J6	119	26		J3	116	17	CLAMP, PIPE	I7	104	1
	J8	121	29	CAMSHAFT COMP., EX.	G4	75	3	CLAMP, TUBE	K3	132	22
BOLT, SOCKET, 6X25	J16	129	20	CAMSHAFT COMP., IN.	G4	75	2	CLIP, AIR HOSE, 16MM	K3	132	20
BOLT, SOCKET, 6X35	G14	85	6	CAP	I2	99	3	CLIP, BREATHER TUBE	K5	134	1
BOLT, SOCKET, 8MM	I16	113	20	CAP ASSY., NOISE SUPPRESSOR ...	L2	147	3	CLIP, BUMPER SEAL	K14	143	14
BOLT, SOCKET, 8X20	G14	85	7		L4	149	3	CLIP, COUPLER	L5	150	22
BOLT, SOCKET, 8X22	K8	137	19	CAP COMP., FUEL FILLER	J13	126	16	CLIP, OIL DRAIN TUBE	J12	125	2
BOLT, SOCKET, 8X32	I11	108	22	CAP COMP., RADIATOR	L7	152	6	CLIP, PISTON PIN, 17MM	H3	90	5
BOLT, SPECIAL, 6X16	K10	139	5	CAP, 30MM	G13	84	7	CLIP, SNAP FITTING	L10	155	23
	K14	143	15	CAP, A.C. GENERATOR	G13	84	6		L13	158	23
BOLT, SPROCKET FIXING	J11	124	17	CAP, BLEEDER	J2	115	4		L16	161	13
BOLT, STUD, 10X178	H1	88	10		J3	116	6	CLIP, SUB TANK HOSE	K3	132	17
BOLT, STUD, 8X22	G2	73	21		J9	122	13	CLIP, TRIM	K2	131	16
BOLT, SWINGARM PIVOT	K12	141	7	CAP, DUMMY	L2	147	7	CLIP, TUBE	K3	132	23
BOLT, TERMINAL	G15	86	7		L4	149	7		L8	153	23
BOLT, TIE ROD	K7	136	9	CAP, MASTER CYLINDER	I5	102	9	CLIP, WIRE, 4X50	L16	161	16
BOLT, TORX, 5X10	J4	117	11		I7	104	11	COIL COMP., IGNITION	L2	147	1
BOLT, WIRE ADJUSTING	I3	100	15		J5	118	12		L4	149	1
BOOT B	J2	115	10		J7	120	14	COLLAR	K11	140	2
	J3	116	13	CAP, OIL FILLER	G9	80	9		L2	147	10
	J9	122	17	CAP, RESERVE TANK	L7	152	11		L4	149	10
BOOT COMP.	I5	102	6	CAP, RR. FORK PIVOT	K12	141	23	COLLAR 2WAY JOINT STAY			
	I7	104	8	CAP, STEERING STEM	I11	108	12	MOUNTING	I7	104	18
	J5	118	4	CAP, SWINGARM END	K11	140	6	COLLAR A, FR. FENDER	I15	112	7
	J7	120	6		K12	141	6	COLLAR B, CUSHION ARM	K13	142	3
BOOT, PIN BUSH	J2	115	9	CASE ASSY., UNDER	I2	99	8	COLLAR B, RR. AXLE DISTANCE ...	J10	123	9
	J3	116	12	CASE ASSY., UPPER	I2	99	7	COLLAR B, RR. FORK PIVOT	K12	141	9
BOOT, SLEEVE	J9	122	9	CASE SUB ASSY., AIR CLEANER ...	K3	132	6	COLLAR C, CUSHION ARM	K13	142	4
BRACKET COMP., RR.	J9	122	7	CASE, DRIVE CHAIN	K11	140	1	COLLAR, 20X23X10.5	H5	92	5
BRACKET SUB ASSY., R. FR.	J2	115	14	CASE, L. BOTTOM	I16	113	18	COLLAR, 22X25X11	H5	92	8
	J3	116	18	CASE, R. BOTTOM	I16	113	10	COLLAR, 25X28X10	H5	92	11
BRACKET, DELAY VALVE	I10	107	9	CENTER, CLUTCH	G11	82	3	COLLAR, AIR CLEANER MOUNTING ..	K1	130	1
BRACKET, HANDLE LEVER	I3	100	12	CHAIN, CAM	G7	78	1		K3	132	7
BRIDGE COMP., FORK TOP	I11	108	13	CHAIN, DRIVE	K11	140	3	COLLAR, CUSHION CONNECTING ROD	K13	142	6
BRUSH SET A, CARBON	G15	86	2		K12	141	22	COLLAR, FR. AXLE DISTANCE	J4	117	6
BRUSH SET B, CARBON	G15	86	3	CIRCLIP	I5	102	19	COLLAR, FR. FENDER	J15	128	4
BULB	I1	98	6		I8	105	25		K5	134	7
BULB & SOCKET ASSY.	I2	99	1		J5	118	15	COLLAR, FR. FENDER MOUNTING ...	I10	107	11
BULB, HEADLIGHT	I1	98	5		J7	120	17		I15	112	8
BULB, TAILLIGHT	K16	145	3	CIRCLIP, EXTERNAL, 14MM	H7	94	19	COLLAR, FR. WHEEL	J4	117	4
BULB, TAIL & STOP LIGHT	K16	145	3	CIRCLIP, EXTERNAL, 15MM	K7	136	15	COLLAR, FUEL TANK	J13	126	15
BULB, WEDGE BASE	K14	143	1	CIRCLIP, EXTERNAL, 20MM	H6	93	33		K14	143	16
BULB, WINKER	K15	144	10	CIRCLIP, EXTERNAL, 25MM	H6	93	34	COLLAR, HORN SETTING	L2	147	14
BUSH, 20X23X17.4	H5	92	15	CIRCLIP, INTERNAL, 35MM	K12	141	19		L4	149	14
BUSH, GUIDE	I16	113	8	CIRCLIP, INTERNAL, 37MM	H6	93	38	COLLAR, IGNITION COIL MOUNTING	L3	148	21
BUSH, SLIDER	I16	113	9	CLAMPER B, FR. BRAKE HOSE	I5	102	5		L5	150	21
					I7	104	7	COLLAR, L. RR. WHEEL SIDE	J10	123	5
				CLAMPER, FR. BRAKE HOSE	I5	102	3	COLLAR, MUFFLER MOUNTING	K6	135	11
				CLAMPER, SPEED SENSOR CORD ...	J3	116	14	COLLAR, OIL PATH, 18MM	G9	80	3
					J7	120	1	COLLAR, PIVOT	K12	141	10
					J9	122	4	COLLAR, PIVOT DISTANCE	K12	141	8
				CLAMPER, SPEED SENSOR CORD FR.	I7	104	3	COLLAR, RADIATOR MOUNTING	I9	106	4
				CLAMP, BRAKE PIPE	I10	107	12		L7	152	16

[C]



PART NAME INDEX

Part name	Address	Page	Ref.	Part name	Address	Page	Ref.	Part name	Address	Page	Ref.
COLLAR, REGULATOR MOUNTING ...	K14	143	5	COWL, L. SIDE INNER	L10	155	13	[E]			
COLLAR, RR. WHEEL DISTANCE ...	J10	123	8		L13	158	13	ELEMENT COMP., AIR CLEANER....	K3	132	1
COLLAR, R. RR. WHEEL SIDE ...	J10	123	4	COWL, L. UNDER	L15	160	3	ELEMENT, OIL FILTER.....	G9	80	4
COLLAR, SPLINE, 23MM	H5	92	18	COWL, RR. CENTER LOWER	K1	130	4	EMBLEM, PRODUCT.....	I11	108	14
COLLAR, SPLINE, 25X10	H5	92	13	COWL, R. FR. SIDE.....	L9	154	4				
COLLAR, SPRING	I16	113	3		L12	157	5	[F]			
COLLAR, TENSIONER	G7	78	3	COWL, R. INNER MIDDLE.....	L15	160	5	FAN COMP., COOLING.....	L7	152	5
CONNECTOR	J5	118	3	COWL, R. RR.	K1	130	8	FENDER B, RR.....	K14	143	9
	J7	120	5	COWL, R. SIDE INNER	L10	155	12	FENDER SET, FR.....	I14	111	4
CORD COMP., OXYGEN SENSOR	G2	73	12		L13	158	12	FENDER, FR.....	I14	111	5
COTTER, VALVE	G4	75	13	COWL, R. UNDER	L15	160	2	FENDER, RR.....	K14	143	8
COUNTERSHAFT	H5	92	3	CRANKCASE COMP., L.	H1	88	3	FILTER KIT, FUEL.....	J12	125	1
COVER ASSY., CYLINDER HEAD ...	G1	72	1	CRANKCASE COMP., R.	H1	88	1	FLANGE SUB ASSY., RR. DRIVEN..	J10	123	7
COVER ASSY., FUEL TANK	J14	127	28	CRANKSHAFT COMP.	H3	90	1	FLYWHEEL COMP.	G14	85	1
COVER ASSY., R. CRANKCASE	G9	80	1	CUP, MASTER CYLINDER OIL	J5	118	6	FORK ASSY., L. FR.	I16	113	17
COVER A, ABS MODULATOR	I9	106	5		J7	120	8	FORK ASSY., R. FR.	I16	113	1
COVER A, MUFFLER	K6	135	6	CUSHION ASSY., RR.	K13	142	2	FORK, CENTER GEARSHIFT.....	H7	94	2
COVER B, ABS MODULATOR	I9	106	6	CUSHION RING, INJECTOR	H8	95	16	FORK, L. GEARSHIFT.....	H7	94	1
COVER B, MUFFLER	K6	135	7	CUSHION, FUEL TANK	J13	126	14	FORK, R. GEARSHIFT	H7	94	3
COVER COMP.	K14	143	3	CYLINDER COMP.	G8	79	1	FUEL UNIT.....	J13	126	17
COVER COMP., L. RR.	G13	84	2	CYLINDER SET, MASTER	I5	102	13	FUSE, BLADE.....	L1	146	10
COVER COMP., WATER PUMP	G9	80	13		I7	104	15	FUSE, MINI.....	L3	148	27
COVER SET, FUEL TANK	J14	127	29	CYLINDER SUB ASSY., FR. BRAKE					L5	150	28
COVER SET, L. RR.	K2	131	21	MASTER	I5	102	7				29
COVER SET, R. RR.	K2	131	20		I7	104	9				
COVER SUB ASSY., AIR CLEANER ..	K3	132	9	CYLINDER SUB ASSY., RR. BRAKE							
COVER, CLUTCH SWITCH	I3	100	5	MASTER	J5	118	5				
COVER, DUST	K7	136	3		J7	120	7				
COVER, FUEL TANK	J13	126	18					[G]			
COVER, L. CRANKCASE	G13	84	1					GASKET.....	I2	99	5
COVER, L. HANDLE LEVER	I3	100	11	[D]				GASKET COMP., CYLINDER HEAD			
COVER, L. RR.	K1	130	11	DAMPER A, CONNECTOR	J12	125	4	COVER	G1	72	3
COVER, L. SIDE	K1	130	9	DAMPER SET, WHEEL	J10	123	1		H9	96	1
COVER, OIL FILTER	G9	80	5	DIAPHRAGM	I5	102	11	GASKET KIT A.....	H9	96	1
COVER, RADIATOR RESERVE TANK ..	L7	152	13		I7	104	13	GASKET KIT B.....	H10	97	1
COVER, REED VALVE	G1	72	5		J5	118	13	GASKET, CYLINDER.....	G8	79	2
COVER, RR. UNDER	K14	143	10		J7	120	15		H9	96	1
COVER, RUBBER	I1	98	2	DIODE ASSY., THREE WAY	L2	147	5	GASKET, CYLINDER HEAD.....	G2	73	5
COVER, R. RR.	K1	130	10		L4	149	5		H9	96	1
COVER, R. SIDE	K1	130	5	DISK COMP., FR. BRAKE	J4	117	9	GASKET, EX. PIPE.....	H9	96	1
COVER, SEAT LOCK	J15	128	15	DISK, CLUTCH FRICTION.....	G11	82	4		K6	135	1
COVER, STARTER MAGNETIC				DISK, RR. BRAKE	J11	124	14	GASKET, FUEL PUMP.....	J13	126	12
TERMINAL	L1	146	3					GASKET, L. CRANKCASE COVER ...	G13	84	3
COVER, THERMOSTAT	G2	73	9	DOWEL PIN, 10X16	G1	72	9		H10	97	1
COWL SET, FR. UPPER	L9	154	3	DOWEL PIN, 8X12	G10	81	25	GASKET, OIL FILTER COVER.....	G9	80	6
	L12	157	4		G16	87	6		H10	97	1
COWL SET, L. FR. SIDE	L11	156	32	DOWEL PIN, 8X14	G2	73	22	GASKET, OIL PUMP.....	G16	87	2
	L14	159	31	DRIVER, SCREW	M1	162	4		H10	97	1
COWL SET, L. MIDDLE	L16	161	9	DRUM, GEARSHIFT	H7	94	4	GASKET, R. CRANKCASE COVER ...	G9	80	2
COWL SET, RR. CENTER UPPER ...	K1	130	2	DUCT, INLET	K3	132	10		H10	97	1
COWL SET, R. FR. SIDE	L11	156	31	DUST SEAL, 17X24X5	K13	142	16	GASKET, TENSIONER LIFTER.....	G7	78	6
	L14	159	30	DUST SEAL, 22X35X7	K12	141	16		H9	96	1
COWL SET, R. MIDDLE	L15	160	1	DUST SEAL, 22X42X7	J4	117	13	GASKET, WATER PUMP COVER.....	G9	80	14
COWL, FR. INNER	L10	155	9	DUST SEAL, 30X47X8	J11	124	22		H10	97	1
	L12	157	9	DUST SEAL, STEERING HEAD	I13	110	1	GEAR ASSY., BALANCER DRIVEN...	H4	91	1
COWL, L. FR. SIDE	L10	155	6					GEAR COMP., OIL PUMP.....	G16	87	3
	L12	157	7					GEAR COMP., STARTER DRIVEN ...	G12	83	1
COWL, L. INNER MIDDLE	L15	160	6					GEAR, BALANCER DRIVE.....	H3	90	6
COWL, L. RR.	K1	130	12					GEAR, COUNTERSHAFT FIFTH.....	H5	92	16

PART NAME INDEX

Part name	Address	Page	Ref.	Part name	Address	Page	Ref.	Part name	Address	Page	Ref.
GEAR, COUNTERSHAFT FIRST	H5	92	4	HOSE COMP., FR. BRAKE	I5	102	2	LID ASSY., L. TANK	L14	159	29
GEAR, COUNTERSHAFT FOURTH	H5	92	12	HOSE COMP., FUEL FEED	J13	126	11	LID ASSY., R. TANK	L10	155	30
GEAR, COUNTERSHAFT SECOND	H5	92	7	HOSE COMP., RR. BRAKE	J5	118	1		L11	156	30
GEAR, COUNTERSHAFT SIXTH	H5	92	19	HOSE, AIR INJECTION SOLENOID					L13	158	28
GEAR, COUNTERSHAFT THIRD	H5	92	10	VALVE	K5	134	2	LID SUB ASSY., AIR CLEANER	K3	132	11
GEAR, MAINSHAFT FIFTH	H5	92	14	HOSE, RADIATOR LOWER	L7	152	9	LIFTER ASSY., TENSIONER	G7	78	4
GEAR, MAINSHAFT SECOND	H5	92	6	HOSE, RADIATOR UPPER	L7	152	8	LIGHT ASSY., LICENSE	K14	143	2
GEAR, MAINSHAFT SIXTH	H5	92	17	HOSE, RR. MASTER CYLINDER	J5	118	7	LOCK COMP., SEAT	J15	128	11
GEAR, MAINSHAFT THIRD & FOURTH	H5	92	9		J7	120	9				
GEAR, PRIMARY DRIVE	H3	90	8	[I]				[M]			
GEAR, STARTER REDUCTION	G12	83	3					MAINSHAFT	H5	92	1
GRIP	M1	162	5	IMPELLER, WATER PUMP	G9	80	11	MARK	M5	166	4
GRIP COMP., THROTTLE	I3	100	9	INJECTOR ASSY., FUEL	H8	95	14		M6	167	9
GRIP, L. HANDLE	I3	100	10	INSULATOR	G15	86	9		M7	168	14
GRIP, L. RR.	J15	128	3	INSULATOR, THROTTLE BODY	G2	73	6		M12	173	7
GRIP, R. RR.	J15	128	2					MARK, ABS	M5	166	3
GROMMET	L2	147	11	[J]					M7	168	7
	L4	149	11	JOINT, BRAKE ROD	J5	118	16		M8	169	5
GROMMET, AIR CLEANER CASE	J13	126	19						M10	171	4
	K1	130	7	JOINT, DRIVE CHAIN	K11	140	4	MARK, HONDA	M12	173	6
GROMMET, WIRE HARNESS	L2	147	12	JOINT, INJECTOR	H8	95	9		M5	166	5
	L4	149	12						M6	167	7
GUARD, NUMBER PLATE	L12	157	2	[K]					M7	168	13
GUIDE A, CAM CHAIN	G7	78	7	KEY SET	I11	108	1		M8	169	13
GUIDE B, CAM CHAIN	G7	78	5	KEY, BLANK	I12	109	23		M10	171	1
GUIDE, BRAKE HOSE	J5	118	2	KEY, SEAT LOCK	J15	128	13		M12	173	1
GUIDE, BREATHER TUBE	K4	133	26	KEY, WOODRUFF, 25X18	H3	90	11				
GUIDE, CLUTCH OUTER	G11	82	2	KEY, WOODRUFF, 4MM	H4	91	5	MARK, HRC	M8	169	11
GUIDE, EX. VALVE	G2	73	3					MARK, L. WING	M4	165	2
GUIDE, FR. BRAKE HOSE	I11	108	4	[L]					M6	167	2
GUIDE, IN. VALVE	G2	73	2	LABEL, ACCESSORIES & LOADING ..	M3	164	5		M7	168	6
GUIDE, RR. BRAKE HOSE	J7	120	4	LABEL, AIR CLEANER ELEMENT					M8	169	2
[H]				NOTICE	M2	163	5		M10	171	3
HANDLE, EYE WRENCH	M1	162	10	LABEL, CARGO LIMIT	M2	163	7	MARK, REPSOL	M12	173	5
HARNESS, WIRE	L2	147	6		M3	164	1	MARK, R. WING	M4	165	1
	L4	149	6	LABEL, CHAIN ADJUSTER	M2	163	4		M6	167	1
HEADLIGHT UNIT COMP.	I1	98	1		M3	164	4		M7	168	5
HEAD ASSY., CYLINDER	G2	73	1	LABEL, DRIVE CAUTION	M2	163	8		M8	169	1
HOLDER COMP., ELEMENT	K3	132	5	LABEL, DRIVE CHAIN	M2	163	3		M10	171	2
HOLDER COMP., RR. CUSHION									M12	173	4
UPPER	K13	142	1	LABEL, FUEL	M2	163	9	METER ASSY., COMBINATION	I2	99	2
HOLDER, BRUSH	G15	86	4	LABEL, FUEL & DRIVE	M3	164	6	METER ASSY., SPEED & TACHO &			
HOLDER, FUEL FILTER	J12	125	5	LABEL, TIRE	M2	163	2	FUEL	I2	99	4
HOLDER, L. PILLION STEP	K8	137	17					MIRROR ASSY., L. BACK	L10	155	17
HOLDER, L. STEP	K8	137	10	LABEL, VISOR CAUTION	M2	163	6		L13	158	17
HOLDER, MASTER CYLINDER	I3	100	8	LENS, L. WINKER	K15	144	5	MIRROR ASSY., R. BACK	L10	155	16
	I5	102	10	LENS, R. WINKER	K15	144	2		L13	158	16
	I7	104	12	LEVER COMP., CLUTCH	G9	80	16	MODULATOR ASSY., ABS	I9	106	3
HOLDER, R. PILLION STEP	K8	137	16	LEVER COMP., L. HANDLE	I3	100	14	MOTOR ASSY., FAN	L7	152	10
HOLDER, R. STEP	K8	137	1	LEVER, R. STEERING HANDLE	I5	102	15	MOTOR ASSY., STARTER	G15	86	1
HORN COMP.	L2	147	13		I7	104	20	MUFFLER COMP.	K6	135	3
	L4	149	13	LID ASSY., L. TANK	L10	155	28				
HOSE COMP. A, FR. BRAKE	I7	104	5		L13	158	29				
HOSE COMP. A, RR. BRAKE	J7	120	2								
HOSE COMP. B, FR. BRAKE	I7	104	4								
HOSE COMP. B, RR. BRAKE	J7	120	3								
HOSE COMP. C, FR. BRAKE	I7	104	6								



PART NAME INDEX

Part name	Address	Page	Ref.	Part name	Address	Page	Ref.	Part name	Address	Page	Ref.
[N]											
NUT-WASHER, 6MM	G15	86	14	0-RING, 11.8X1.9	G16	87	5	PIN, HANGER	J9	122	11
NUT, CAP, 8MM	L10	155	27		H1	88	13	PIN, PISTON	H3	90	4
	L14	159	32	0-RING, 13.8X2.5	H10	97	1	PIN, SHIFT RETURN SPRING	H7	94	11
NUT, CLIP, 4MM	K1	130	15		G13	84	8	PIN, SPLIT, 1.6X15	K8	137	25
NUT, CLIP, 5MM	I1	98	7	0-RING, 14.8X2.4	H10	97	1	PIN, SPLIT, 2.0X15	J6	119	23
	I9	106	9		J5	118	20		J8	121	25
	L10	155	24	0-RING, 17.8X1.9	J8	121	22		K9	138	26
	L13	158	24		G10	81	33	PIN, STEP BAR	K8	137	5
	L16	161	14	0-RING, 18X3	H8	95	13	PIPE COMP. A, FR. BRAKE	I10	107	4
NUT, FIXING	I3	100	17		H10	97	1	PIPE COMP. A, RR. BRAKE	I10	107	1
NUT, FLANGE, 10MM	G2	73	17	0-RING, 1.5X9.5	G10	81	32	PIPE COMP. B, FR. BRAKE	I10	107	5
	K15	144	14		H10	97	1	PIPE COMP. B, RR. BRAKE	I10	107	2
	L6	151	11	0-RING, 24.4X3.1	G7	78	11	PIPE COMP. C, FR. BRAKE	I10	107	6
NUT, FLANGE, 6MM	I4	101	24		H9	96	1	PIPE COMP. C, RR. BRAKE	I10	107	3
	I6	103	22	0-RING, 27.7X3.5	G15	86	15	PIPE COMP. D, FR. BRAKE	I10	107	7
	I8	105	28		H10	97	1	PIPE COMP., EX.	K6	135	4
	J13	126	21	0-RING, 30MM	J1	114	24	PIPE COMP., FR. FORK	I16	113	5
	J16	129	18		G13	84	9	PIPE COMP., L. STEERING HANDLE	I11	108	11
	K14	143	21	0-RING, 4X2	H10	97	1	PIPE COMP., R. STEERING HANDLE	I11	108	5
	L3	148	23		G15	86	16	PIPE COMP., WATER	G9	80	10
	L5	150	24	0-RING, 54X2	J11	124	23	PIPE, SEAT	I16	113	13
NUT, FLANGE, 8MM	K6	135	14	0-RING, 7.8X1.9	H8	95	17	PISTON	H3	17	3
	K8	137	21	0-RING, 9.8X2.4	G10	81	31		J2	115	5
NUT, HEX. CAP, 8MM	K6	135	13		H10	97	1		J9	122	5
NUT, HEX., 14MM	H4	91	3	OUTER COMP., CLUTCH	G11	82	1	PISTON A, 22X27	J3	116	7
NUT, HEX., 3MM	L8	153	22	OUTER COMP., STARTING CLUTCH	G12	83	2	PISTON B, 27X35	J3	116	16
NUT, HEX., 6MM	K7	136	13	[P]				PISTON SET, MASTER CYLINDER	J5	118	10
NUT, HEX., 8MM	I4	101	23	PACKING, LENS	K14	143	24		J7	120	12
	J6	119	22	PACKING, MUFFLER	H9	96	1	PIVOT, CHANGE PEDAL	K8	137	7
	J8	121	24		K6	135	9	PIVOT, SHIFT DRUM STOPPER ARM	H7	94	13
	K12	141	17	PAD SET	J2	115	2	PLATE COMP., CLUTCH PRESSURE	G11	82	6
NUT, LOCK, 16MM	H3	90	9	PAD SET, FR.	J3	116	3	PLATE COMP., GEARSHIFT DRUM			
NUT, SETTING	L7	152	2	PAD SET, RR.	J9	122	1	STOPPER	H7	94	6
NUT, SIDE STAND	K10	139	6	PANEL SET, L. MIDDLE	L16	161	18	PLATE COMP., L. FR. ENGINE			
NUT, SPECIAL, 16MM	G11	82	10	PANEL SET, R. MIDDLE	L16	161	17	HANGER	L6	151	5
NUT, SPECIAL, 6MM	K7	136	11	PANEL, L. MIDDLE	L16	161	8	PLATE COMP., R. FR. ENGINE			
NUT, SPRING, 6MM	K14	143	18	PANEL, R. MIDDLE	L15	160	7	HANGER	L6	151	4
NUT, STEERING STEM	I11	108	17	PEDAL COMP., GEAR CHANGE	L16	161	7	PLATE COMP., SETTING	J12	125	7
NUT, U, 10MM	J11	124	19	PEDAL COMP., RR. BRAKE	K7	136	2	PLATE, BEARING SETTING	H5	92	2
	K10	139	6	PGM-FI UNIT	K7	136	7	PLATE, CLUTCH	G11	82	5
	K13	142	13		L2	147	18	PLATE, DIAPHRAGM	I5	102	12
NUT, U, 12MM	J4	117	12	PIECE, OIL LOCK	L4	149	18		I7	104	14
	K13	142	14	PIN A, DOWEL, 12X16	L4	149	18		J5	118	14
NUT, U, 14MM	K12	141	13		I16	113	11		J7	120	16
NUT, U, 16MM	J11	124	20		G2	73	23	PLATE, FIXING	H5	92	21
NUT, U, 5MM	K14	143	17		G8	79	3	PLATE, IDLE AIR CONTROL VALVE	H8	95	11
NUT, U, 6MM	I15	112	12		G10	81	34	PLATE, NAME	M2	163	1
[O]											
OIL SEAL, 12X18X5	G10	81	28		G16	87	7	PLATE, NUMBER PLATE BACK	K14	143	11
OIL SEAL, 12X20X5	G10	81	29	PIN B, DOWEL, 8X14	H1	88	15	PLATE, PILLION STEP SIDE	K8	137	15
OIL SEAL, 14X22X5	H7	94	18		G13	84	10	PLATE, PORT	G1	72	2
OIL SEAL, 22X31X5	K12	141	15		H2	89	16	PLATE, STEP SETTING	K8	137	4
OIL SEAL, 22X36X5	H6	93	37	PIN B, PILLION STEP	K9	138	27	PLUG, BREATHER TUBE	K3	132	15
0-RING, 11.8X1.9	G10	81	30	PIN D, JOINT	J6	119	24	PLUG, HANDLE LEVER BRACKET	I3	100	13
					J8	121	26		I5	102	14
					J8	121	26	PLUG, HOLE	K14	143	19
					G11	82	8	PLUG, PIN	J2	115	11
					J2	115	12	PLUG, SPARK	G2	73	10
					J3	116	15	PROTECTOR	I5	102	8

PART NAME INDEX

Part name	Address	Page	Ref.	Part name	Address	Page	Ref.	Part name	Address	Page	Ref.
PROTECTOR	I7	104	10	RUBBER, GUARD	L6	151	1	SCREW, PAN, 6X10	L10	155	21
PUMP ASSY., FUEL	J12	125	3	RUBBER, HEADLIGHT	K5	134	5		L13	158	21
PUMP ASSY., OIL	G16	87	1	RUBBER, HEADLIGHT CASE					L16	161	12
[R]				MOUNTING	K16	145	4	SCREW, PAN, 6X12	K6	135	12
RADIATOR COMP.	L7	152	1		L7	152	17	SCREW, PAN, 6X14	K1	130	14
RECEIVER, CLUTCH CABLE	G9	80	18		L9	154	1		K15	144	11
RECTIFIER ASSY., REGULATOR ...	L2	147	4	RUBBER, HEAT GUARD	L12	157	1	SCREW, PAN, 6X22	I15	112	10
	L4	149	4	RUBBER, LICENSE LIGHT	K14	143	4	SCREW, PAN, 6X6	G7	78	8
REFLECTOR, FR. REFLEX	I14	111	1	RUBBER, MAIN STEP	K8	137	9	SCREW, SIDE STAND PIVOT	K10	139	3
REFLECTOR, REFLEX	K14	143	6	RUBBER, METER MOUNTING	I2	99	6	SCREW, TAPPING, 3X16	I2	99	9
RELAY ASSY., POWER	L2	147	17	RUBBER, MOUNTING	G1	72	8		I11	108	19
	L4	149	17		H9	96	1	SCREW, TAPPING, 3X6	L8	153	21
RELAY COMP., POWER	L2	147	17	RUBBER, MUFFLER MOUNTING	K6	135	10	SCREW, TAPPING, 4X12	I1	98	8
	L4	149	17	RUBBER, PILLION STEP	K8	137	11		K2	131	17
RELAY COMP., WINKER	L2	147	15	RUBBER, PROTECTOR	K6	135	2		K15	144	12
	L4	149	15	RUBBER, PROTECTOR MOUNTING ...	K6	135	5		L10	155	25
RESONATOR	K3	132	16	RUBBER, SCREEN SETTING	L10	155	5		L13	158	25
RETAINER	J2	115	7		L12	157	6		L16	161	15
	J9	122	8	RUBBER, SEAT CUSHION	J15	128	9	SCREW, TAPPING, 4X16	K14	143	20
	J13	126	13					SCREW, TAPPING, 5X12	K2	131	18
RETAINER, BRACKET	J3	116	10	RUBBER, SEAT SETTING	J15	128	8		K4	133	27
RETAINER, VALVE SPRING	G4	75	11	RUBBER, SHOCK	L1	146	5		K5	134	8
RING	G15	86	8	RUBBER, SIDE COVER	K1	130	6		K16	145	5
RING SET, PISTON	H3	90	2		K3	132	18	SCREW, TAPPING, 5X14	I2	99	10
RING, BACK UP	I16	113	7	RUBBER, TAILLIGHT BRACKET	L2	147	8	SCREW, TAPPING, 5X16	I1	98	9
RING, FR. PULSER	J4	117	5		L4	149	8	SCREW, TAPPING, 5X20	K3	132	21
RING, HANDLE WEIGHT SNAP	I11	108	9	[S]				SCREW, TORX	H8	95	12
RING, OIL SEAL STOPPER	I16	113	14	SCREEN, OIL FILTER	H1	88	5	SCREW, TORX, 5X17	H8	95	4
RING, PISTON	I16	113	12	SCREW-WASHER, 4X12	I6	103	21	SCREW, TORX, 5X8.7	H8	95	3
RING, RR. PULSER	J10	123	6		I8	105	27	SCREW, VISOR SPECIAL SETTING..	I9	106	8
RING, STOPPER	J1	114	22		J5	118	21		L16	161	11
	J3	116	9	SCREW-WASHER, 5X12	J8	121	23	SEAL RING, INJECTOR	H8	95	15
	J9	122	15		J8	121	23	SEAL SET, FR. FORK	I16	113	16
RIVET, PUSH, 7MM	L10	155	19	SCREW-WASHER, 5X12	G15	86	17	SEAL SET, PISTON	J2	115	1
	L13	158	19		H8	95	19		J3	116	1
ROD COMP., PUSH	J5	118	11	SCREW-WASHER, 5X20	I4	101	19		J9	122	2
	J7	120	13	SCREW-WASHER, 5X25	I4	101	20	SEAL, AIR CLEANER	K3	132	2
ROD SUB ASSY., CUSHION				SCREW-WASHER, 5X35	I4	101	21	SEAL, DUST	J1	114	23
CONNECTING	K13	142	7	SCREW-WASHER, 5X45	I4	101	22	SEAL, GASKET	K15	144	3
ROLLER, 3X8.5	H7	94	20	SCREW, BLEEDER	J2	115	3	SEAL, LID	K3	132	3
RUBBER A, TAILLIGHT MOUNTING ..	J15	128	1		J3	116	5	SEAL, MECHANICAL	G9	80	12
RUBBER B, HANDLE WEIGHT	I11	108	8	SCREW, FLAT, 4X12	J9	122	12	SEAL, RADIATOR CAP	L7	152	7
					J9	122	12	SEAL, VALVE STEM	G4	75	1
RUBBER B, SEAT MOUNTING	I9	106	7	SCREW, FLAT, 4X60	J5	118	9	SEAT COMP., PILLION	J15	128	16
RUBBER B, SEAT SETTING	J15	128	7		J7	120	11	SEAT COMP., SINGLE	J15	128	6
RUBBER SHEET, HARNESS GUARD ..	L6	151	2	SCREW, OVAL, 6X50	I11	108	16	SEAT, SPRING	I16	113	4
RUBBER SPONGE, LID	L10	155	29	SCREW, PAN, 4X8.5	L7	152	4	SEAT, VALVE SPRING	G4	75	12
	L13	158	27	SCREW, PAN, 5X10	H8	95	18	SENSOR ASSY., BANK ANGLE	L2	147	9
RUBBER SPONGE, TANK COVER	J13	126	27	SCREW, PAN, 5X11.5	L8	153	20		L4	149	9
RUBBER, BACK MIRROR	L10	155	18	SCREW, PAN, 5X12	J5	118	17	SENSOR ASSY., SPEED	H1	88	7
	L13	158	18		J7	120	19	SENSOR ASSY., WATER TEMP	G2	73	13
RUBBER, DELAY VALVE MOUNT	I10	107	10	SCREW, PAN, 5X14	L10	155	22	SENSOR SET	H8	95	1
RUBBER, FILTER	G9	80	7		L13	158	22	SENSOR, FR. WHEEL SPEED	J3	116	4
RUBBER, FR. FENDER MOUNTING ..	I15	112	6	SCREW, PAN, 5X25	K3	132	19	SENSOR, OXYGEN	G2	73	11
				SCREW, PAN, 6X10	K1	130	13	SENSOR, RR. WHEEL SPEED	J9	122	3
RUBBER, FUEL TANK	J12	125	10		K7	136	10	SHAFT C, IDLE GEAR	G12	83	4
RUBBER, GEAR CHANGE PEDAL	K7	136	4					SHAFT, BALANCER	H4	91	2



PART NAME INDEX

Part name	Address	Page	Ref.	Part name	Address	Page	Ref.	Part name	Address	Page	Ref.
SHAFT, GEARSHIFT FORK	H7	94	5	STAY, L. COWL UNDER	L6	151	7	SWITCH ASSY., COMBINATION & LOCK	I11	108	2
SHAFT, ROCKER ARM	G4	75	6	STAY, L. FR. INNER COWL	L10	155	11	SWITCH ASSY., FR. STOP	I5	102	1
SHAFT, WATER PUMP	G9	80	15		L12	157	11		I7	104	2
SHIM, TAPPET	G4	75	14	STAY, RR. FENDER	K14	143	7	SWITCH ASSY., NEUTRAL	H1	88	6
	G5	76	14	STAY, R. COWL UNDER	L6	151	6	SWITCH ASSY., RR. STOP	K7	136	5
	G6	77	14	STAY, R. FR. INNER COWL	L10	155	10	SWITCH ASSY., SIDE STAND	K10	139	1
SHROUD COMP.	L7	152	3		L12	157	10	SWITCH ASSY., STARTER LIGHTING			
SLEEVE	J9	122	14	STAY, SEAT LOCK CABLE	J15	128	17		KILL	I3	100
SLIDER, CHAIN	K12	141	11	STAY, TANK LID	J12	125	9	SWITCH ASSY., STARTER MAGNETIC	L1	146	4
SOCKET COMP.	I1	98	4	STAY, WIRE	H8	95	5	SWITCH ASSY., STARTER & ENGINE			
SOCKET COMP., TAILLIGHT	K16	145	1	STEM SUB ASSY., STEERING	I13	110	3		STOP	I3	100
SPACER, IGNITION COIL	L2	147	2	STOPPER COMP., GEARSHIFT DRUM	H7	94	7	SWITCH ASSY., WINKER	I3	100	6
	L4	149	2	STOPPER, TERMINAL	G15	86	10	SWITCH COMP., FR. LEVER	I3	100	7
SPANNER, 12X14	M1	162	8	STRIPE A, FUEL TANK	M12	173	2				
SPANNER, 8X10	M1	162	7	STRIPE A, L. FUEL TANK	M7	168	2				
SPANNER, PIN	M1	162	6	STRIPE A, L. MIDDLE COWL	M10	171	6				
SPINDLE COMP., GEARSHIFT	H7	94	9		M12	173	9				
SPONGE, RUBBER	L1	146	7	STRIPE A, R. FUEL TANK	M7	168	1	TAILLIGHT UNIT	K16	145	2
SPRING ASSY., BRAKE PEDAL	K7	136	8	STRIPE A, R. MIDDLE COWL	M10	171	5	TANK SET, FUEL	J12	125	8
SPRING A, SIDE STAND	K10	139	7		M12	173	8	TANK, RADIATOR RESERVE	L7	152	12
SPRING, CARBON BRUSH	G15	86	5	STRIPE B, FUEL TANK	M12	173	3	TENSIONER COMP., CAM CHAIN	G7	78	2
SPRING, CLUTCH	G11	82	7	STRIPE B, L. FUEL TANK	M7	168	4	THERMOSTAT	G2	73	8
SPRING, CLUTCH LEVER	G9	80	17	STRIPE B, L. MIDDLE COWL	M10	171	8	THREAD B, STEERING HEAD TOP	I13	110	5
SPRING, DRUM STOPPER	H7	94	8		M12	173	11	THREAD COMP., STEERING HEAD			
SPRING, FR. FORK	I16	113	2	STRIPE B, R. FUEL TANK	M7	168	3		TOP	I13	110
SPRING, FR. FORK REBOUND	I16	113	6	STRIPE B, R. MIDDLE COWL	M10	171	7	THROTTLE BODY ASSY.	H8	95	7
SPRING, GEARSHIFT RETURN	H7	94	10		M12	173	10	TIRE, FR.	J4	117	8
SPRING, LOCK KEY SETTING	J15	128	5	STRIPE C, L. MIDDLE COWL	M10	171	10	TIRE, RR.	J10	123	12
SPRING, L. STEP RETURN	K8	137	8	STRIPE C, R. MIDDLE COWL	M10	171	9	TUBE	K5	134	4
SPRING, OIL FILTER ELEMENT				STRIPE, FR. UPPER COWL	M7	168	8	TUBE, 5.3X350	L8	153	24
	SETTING	G9	80		M8	169	6	TUBE, 5.3X840	L8	153	25
SPRING, PAD	J2	115	6	STRIPE, L. FR. SIDE COWL	M8	169	8	TUBE, 8X770	J13	126	23
		J3	116	STRIPE, L. FUEL TANK	M6	167	4	TUBE, AIR CLEANER CONNECTING	K3	132	12
		J9	122		M8	169	4	TUBE, AIR CLEANER DRAIN	K3	132	4
SPRING, R. STEP RETURN	K8	137	3	STRIPE, L. MIDDLE COWL	M6	167	6				8
SPRING, SEAT LOCK	J15	128	12		M7	168	10	TUBE, BREATHER	K3	132	14
SPRING, STOP SWITCH	K7	136	6		M8	169	10	TUBE, FUEL TANK BREATHER	J12	125	6
SPRING, VALVE INNER	G4	75	10	STRIPE, L. MIDDLE PANEL	M7	168	12	TUBE, RADIATOR BREATHER	L8	153	25
SPRING, VALVE OUTER	G4	75	9		M10	171	12				
SPROCKET, DRIVE	H5	92	20	STRIPE, L. RR. COVER	M9	170	15				
SPROCKET, FINAL DRIVEN	J10	123	2		M11	172	15				
SPROCKET, TIMING	H3	90	7		M12	173	14	VALVE ASSY., AIR INJECTION			
STATOR COMP.	G14	85	2	STRIPE, R. FR. SIDE COWL	M8	169	7		SOLENOID	K5	134
STAY COMP., ABS MODULATOR	I9	106	2	STRIPE, R. FUEL TANK	M6	167	3	VALVE ASSY., DELAY	I10	107	8
STAY COMP., AIR INJECTION					M8	169	3	VALVE ASSY., PROPORTIONING			
	SOLENOID VALVE	K5	134	STRIPE, R. MIDDLE COWL	M6	167	5		CONTROL	I9	106
STAY COMP., FR. COWL UPPER	L10	155	7		M7	168	9	VALVE ASSY., RELIEF	G16	87	4
		L12	157		M8	169	9	VALVE COMP., REED	G1	72	4
STAY COMP., IGNITION COIL	L3	148	20	STRIPE, R. MIDDLE PANEL	M7	168	11	VALVE SET, IDLE AIR CONTROL	H8	95	10
		L5	150		M10	171	11	VALVE, EX.	G4	75	8
STAY COMP., L. FR. SIDE				STRIPE, R. RR. COVER	M9	170	14	VALVE, IN.	G4	75	7
	REFLECTOR	I14	111		M11	172	14	VALVE, RIM	J4	117	2
STAY COMP., L. WINKER	K15	144	9		M12	173	13		J10	123	13
STAY COMP., R. FR. SIDE				SUSPENSION, ENGINE CONTROL					J11	124	13
	REFLECTOR	I14	111		UNIT	L3	148				
STAY COMP., R. WINKER	K15	144	8		L5	150	19				
STAY, BRAKE HOSE CLAMP	I5	102	4	SUSPENSION, WINKER RELAY	L2	147	16				
STAY, FR. BRAKE HOSE	I7	104	16		L4	149	16				
STAY, HARNESS CLAMPER	H8	95	6	SWINGARM SUB ASSY., RR.	K12	141	12	WASHER	G15	86	11
								WASHER B, THRUST, 20MM	H6	93	30

PART NAME INDEX

Part name	Address	Page	Ref.	Part name	Address	Page	Ref.	Part name	Address	Page	Ref.
WASHER, 10MM	G2	73	18	WRENCH, EYE, 19MM	M1	162	11				
WASHER, 12.2X17X1.5	G2	73	19	WRENCH, EYE, 24MM	M1	162	13				
WASHER, 12.5X30X5	G14	85	4	WRENCH, HEX., 5MM	M1	162	12				
WASHER, 14MM	H7	94	15	WRENCH, PLUG	M1	162	9				
WASHER, 14.2X24	H4	91	4								
WASHER, 15.2X25	K7	136	12								
WASHER, 16MM	G11	82	13								
	H3	90	10								
WASHER, 17X26X1.0	H5	92	23								
WASHER, 17X28X1.0	H6	93	29								
WASHER, 20X27X1.0	H5	92	24								
WASHER, 20X40X2	G11	82	11								
			12								
WASHER, 22X29X1.0	H6	93	25								
WASHER, 25X32X1.0	H6	93	26								
WASHER, 6MM	I15	112	13								
WASHER, 6.1MM	H7	94	14								
WASHER, 7X13X1.2	G9	80	23								
WASHER, DRAIN PLUG, 12MM	H1	88	14								
	H10	97	1								
WASHER, LOCK	I13	110	6								
WASHER, LOCK, 25MM	H6	93	32								
WASHER, NEUTRAL SWITCH	H1	88	12								
	H10	97	1								
WASHER, OIL BOLT	I5	102	18								
	I8	105	24								
	J5	118	19								
	J8	121	21								
WASHER, PLAIN, 5MM	I2	99	11								
WASHER, PLAIN, 6MM	J13	126	22								
	K7	136	14								
	K8	137	22								
			24								
WASHER, PLAIN, 8MM	I12	109	24								
	K6	135	15								
	K8	137	23								
WASHER, RR. SWINGARM	J11	124	21								
WASHER, RUBBER	I7	104	17								
WASHER, SEALING, 6.5MM	G9	80	24								
WASHER, SPECIAL, 12MM	G2	73	20								
WASHER, SPECIAL, 8MM	I16	113	21								
WASHER, SPLINE, 20X26X1.6	H6	93	27								
WASHER, SPLINE, 25X31X1.0	H6	93	28								
WASHER, SPLINE, 25X42X1.6	H6	93	31								
WASHER, STEERING STEM	I11	108	18								
WEIGHT A, STEERING HANDLE	I11	108	6								
WEIGHT B, STEERING HANDLE	I11	108	7								
WEIGHT, BALANCE	J4	117	1								
	J10	123	11								
WEIGHT, STEP HOLDER	K8	137	13								
WHEEL SUB ASSY., FR.	J4	117	7								
WHEEL SUB ASSY., RR.	J10	123	10								
WINDSCREEN	L9	154	2								
	L12	157	3								
WINKER ASSY., L. FR.	K15	144	4								
WINKER ASSY., L. RR.	K15	144	7								
WINKER ASSY., R. FR.	K15	144	1								
WINKER ASSY., R. RR.	K15	144	6								
WIRE, HELMET SET	M1	162	1								

1

FOREWORD INDEX

2

ENGINE GROUP

3

FRAME GROUP

4

PART NUMBER INDEX

5

PART NAME INDEX

HONDA
The Power of Dreams



PARTS CATALOGUE NEWS

Honda Motor Co., Ltd.
Customer Service Technology Development Division

PARTS CATALOGUE - CORRECTED

Printed in Japan

CODE NO.	18KYJB02
PARTS CATALOGUE NEWS	CBR250R / CBR250RA CBR250RB/C/D CBR250RAB/C/D
NEWS NO.	001

(TH-KD)KYJ

Block No.	Ref. No.	Note	Part No.	Description	Reqd. QTY						Serial No.	Parts catalogue code	
					CBR250R			CBR250RA					
					B	C	D	B	C	D			
F-43-1	2	T	61316-KCJ-660	GUARD, NUMBER PLATE	1	-	-	1	-	-	-----	-----	IN
		A	61316-KCJ-661	-	-	1	-	-	1	-----	-----	3IN, 4IN, IN

NOTE A:PART NO. CHANGE D:NEWLY PROVIDED E:PART NO.DELETION K:REQUIRED NO. CORRECTION L:APPLICATION SERIAL NO. CORRECTION
M:PART DESCRIPTION CORRECTION T:APPLICATION CORRECTION Z:REMARKS CHANGE

October 14, 2012



PARTS CATALOGUE NEWS

Honda Motor Co., Ltd.

Customer Service Technology Development Division

PARTS CATALOGUE - CORRECTED

Printed in Japan

CODE NO.	18KYJB02
PARTS CATALOGUE NEWS	CBR250R / CBR250RA CBR250RB/C/D CBR250RAB/C/D
NEWS NO.	002

(TH-KD)KYJ

NOTE A:PART NO. CHANGE D:NEWLY PROVIDED E:PART NO.DELETION K:REQUIRED NO. CORRECTION L:APPLICATION SERIAL NO. CORRECTION
M:PART DESCRIPTION CORRECTION T:APPLICATION CORRECTION Z:REMARKS CHANGE

PARTS CATALOGUE NEWS

BOOKNo. : 18KYJB02

CBR250RA (CBR250RAD).....IN,MA

No.	MODEL		CBR250RAD						
	COLOR		Black	Ross w white	Millennium red	Applicable model		Applicable block No.	Ref. No.
	Name of colored parts	Basic part No.	NH-1	NH-196	R-263	Initial applicable model	Final applicable model		
1	COVER ASSY., FUEL TANK	64700-KPP-T00	ZJ	ZB	ZA			F-21	28
2	COVER, L. RR.	83680-KPP-T00	ZJ	ZC	ZB			F-24	11
3	COVER, R. RR.	83670-KPP-T00	ZJ	ZC	ZB			F-24	10
4	COWL SET, FR. UPPER	64200-KYJ-E20	ZD	ZA	-			F-43	3
5	COWL SET, FR. UPPER	64200-KYJ-E20	ZD	-	ZE			F-43-1	4
6	COWL SET, L. MIDDLE	64400-KYJ-E20	ZB	ZA	ZC			F-45	9
7	COWL SET, R. MIDDLE	64300-KYJ-E20	ZB	ZA	ZC			F-45	1
8	COWL SET, RR. CENTER UPPER	83450-KPP-T00	ZA	ZA	ZA			F-24	2
9	COWL, L. FR. SIDE	64220-KPP-T00	ZB	ZJ	-			F-43	6
10	COWL, L. FR. SIDE	64220-KPP-T00	ZB	-	ZC			F-43-1	7
11	COWL, R. FR. SIDE	64210-KPP-T00	ZB	ZJ	-			F-43	4
12	COWL, R. FR. SIDE	64210-KPP-T00	ZB	-	ZC			F-43-1	5
13	FENDER SET, FR.	61000-KYJ-E20	ZF	ZG	ZE			F-10	4
14	FLANGE SUB ASSY., RR. DRIVEN	42615-KYJ-900	ZC	ZC	ZC			F-19-40	7
15	GRIP, L. RR.	50325-KPP-T00	ZA	ZA	ZA			F-23	3
16	GRIP, R. RR.	50315-KPP-T00	ZA	ZA	ZA			F-23	2
17	LID ASSY., L. TANK	64600-KYJ-900	ZF	ZB	-			F-43	28
18	LID ASSY., L. TANK	64600-KYJ-900	ZF	-	ZE			F-43-1	29
19	LID ASSY., R. TANK	64500-KYJ-900	ZF	ZB	-			F-43	30
20	LID ASSY., R. TANK	64500-KYJ-900	ZF	-	ZE			F-43-1	28
21	MARK	86641-KYJ-E20	ZB	ZA	ZC			F-50	4
22	MARK, ABS	86611-KYJ-E20	ZD	ZC	ZB			F-50	3
23	MARK, HONDA	86101-KYJ-E20	ZD	ZA	ZE			F-50	5
24	MARK, HONDA	86831-KPP-T00	ZA	ZA	ZA			F-50	6
25	MARK, L. WING	86202-KYJ-E20	ZE	ZA	ZF			F-50	2

NOTE A:PART NO. CHANGE D:NEWLY PROVIDED E:PART NO.DELETION K:REQUIRED NO. CORRECTION L:APPLICATION SERIAL NO. CORRECTION
M:PART DESCRIPTION CORRECTION T:APPLICATION CORRECTION Z:REMARKS CHANGE

PARTS CATALOGUE NEWS

BOOKNo. : 18KYJB02

Block No.	Ref. No.	Note	Part No.	Description	Reqd. QTY						Serial No.	Parts catalogue code	
					CBR250R			CBR250RA					
					B	C	D	B	C	D			
F-10	4	D	61000-KYJ-E20ZG	FENDER SET, FR. (WL) *TYPE7*.....	-	-	-	-	-	1	-----	-----	MA
F-50	3	D	86611-KYJ-E20ZC	MARK, ABS *TYPE2*.....	-	-	-	-	-	2	-----	-----	MA

NOTE A:PART NO. CHANGE D:NEWLY PROVIDED E:PART NO. DELETION K:REQUIRED NO. CORRECTION L:APPLICATION SERIAL NO. CORRECTION
M:PART DESCRIPTION CORRECTION T:APPLICATION CORRECTION Z:REMARKS CHANGE



PARTS CATALOGUE NEWS

Honda Motor Co., Ltd.
Customer Service Technology Development Division

PARTS CATALOGUE - CORRECTED

Printed in Japan

CODE NO.	18KYJB02
PARTS CATALOGUE NEWS	CBR250R / CBR250RA CBR250RB/C/D CBR250RAB/C/D
NEWS NO.	003

(TH-KD)KYJ

Block No.	Ref. No.	Note	Part No.	Description	Reqd. QTY						Serial No.	Parts catalogue code
					CBR250R			CBR250RA				
					B	C	D	B	C	D		
F-19-40	12		42711-KYJ-901	TIRE, RR. (IRC) (140/70-17M/C 66S)	1	-	-	1	-	-	----- B5002681	2U, 3U, U
					1	-	-	1	-	-	-----	IN, KO, MA
		A	42711-KYJ-902	-	1	1	-	1	1		
					1	-	-	1	-	-	B5002682 -----	2U, 3U, U

NOTE A:PART NO. CHANGE D:NEWLY PROVIDED E:PART NO. DELETION K:REQUIRED NO. CORRECTION L:APPLICATION SERIAL NO. CORRECTION
M:PART DESCRIPTION CORRECTION T:APPLICATION CORRECTION Z:REMARKS CHANGE